

T555STGBC

Parts Catalog

목 차

1. 엔진 PART NO. EG

FIG 100 ENGINE	7
FIG 101A CYLINDER BLOCK (T554)	9
FIG 102 GEAR HOUSING	11
FIG 103 FLYWHEEL HOUSING & OIL SUMP	13
FIG 104A CYLINDER HEAD & BONNET (T554)	15
FIG 105A SUCTION MANIFOLD (T554)	18
FIG 106A EXHAUST MANIFOLD (T554)	20
FIG 107A DIESEL PARTICULATE FILTER (T554)	22
FIG 108 CAMSHAFT & DRIVING GEAR	24
FIG 109 TURBINE (T554)	26
FIG 110A CRANKSHAFT & PISTON (T554)	28
FIG 111 BALANCER	30
FIG 112A LUB. OIL SYSTEM (T554)	32
FIG 113 LUB. OIL LINE (T554)	34
FIG 114 COOLING WATER SYSTEM	36
FIG 115 FUEL SUPPLY PUMP	38
FIG 116A FUEL INJECTION VALVE (T554)	40
FIG 117 FUEL LINE	42
FIG 118 STARTING MOTOR	44
FIG 119 GENERATOR	46
FIG 120A ELECTRONIC CONTROL UNIT (T554)	48
FIG 121A ELECTRIC PARTS (T554)	50
FIG 122A ACCESSORY (T554)	52

2. 엔진보기품 PART NO. T2

FIG 201 AIR CLEANER	55
FIG 202 RADIATOR	57
FIG 203 MUFFLER	59
FIG 204 FUEL HOSE & FILTER	61
FIG 205 FUEL TANK	63

FIG 206 ACCELERATOR	65
FIG 208 FAN , COOLING	67

3. 클러치/브레이크/스티어링 PART NO. T3

FIG 301 CLUTCH	70
FIG 302 CLUTCH PEDAL	72
FIG 303 BRAKE	74
FIG 304 BRAKE PEDAL & LINKAGE	76
FIG 305A FRONT WHEEL	78
FIG 305B FRONT WHEEL (R4 OPTION)	80
FIG 306A REAR WHEEL	82
FIG 306B REAR WHEEL (R4 OPTION)	84
FIG 307 POWER STEERING WHEEL	86
FIG 308 POWER STEERING VALVE	88
FIG 309 POWER STEERING CYLINDER	90
FIG 310 HAND BRAKE	92

4. 트랜스미션 PART NO. T4

FIG 401 TRANSMISSION FRONT CASE	95
FIG 402 FORWARD & BACKWARD GEARS	97
FIG 403 IDLE & COUNTER GEARS	99
FIG 404 MAIN SHIFT GEARS	101
FIG 405 P.T.O DRIVE SHAFT	103
FIG 406 MAIN CHANGE LEVER	105
FIG 407 REVERSE CHANGE LEVER	107
FIG 408 TRANSMISSION MID CASE	109
FIG 409 TRANSMISSION REAR CASE	111
FIG 410 SUB CHANGE GEARS	113
FIG 411 SUB CHANGE SHIFTER	115
FIG 413 DRIVE GEARS	117
FIG 414 4WD CHANGE LEVER	119
FIG 415 P.T.O CHANGE GEARS	121
FIG 416 P.T.O CHANGE SHIFTER	123
FIG 417 REAR DIFFERENTIAL GEARS	125
FIG 418 REAR AXLE HOUSING	128

5. 프론트 액슬 PART NO. T5

FIG 501 FRONT AXLE SUPPORT	131
----------------------------	-----

FIG 502 FRONT DRIVE SHAFT	133
FIG 503 FRONT AXLE HOUSING	135
FIG 504 FRONT DIFFERENTIAL GEARS	137
FIG 505 FRONT GEAR CASE (1)	139
FIG 506 FRONT GEAR CASE (2)	141
FIG 507 FRONT GEAR CASE (3)	143

6. 유압/3점 링크 PART NO. T6

FIG 601 CYLINDER CASE	146
FIG 602 LIFT ARM	148
FIG 603 CYLINDER	150
FIG 604 POSITION LINK	152
FIG 605 CONTROL VALVE	154
FIG 606 DRAFT LINK	156
FIG 607 POSITION & DRAFT LEVER	158
FIG 608 EXTERIOR HYD.VALVE	160
FIG 609 HYDRAULIC PIPE	162
FIG 610 JOYSTICK	165
FIG 611 HYDRAULIC HOSE	167
FIG 612 HITCH & 3-POINT LINK	169
FIG 613 HITCH & 3-POINT LINK	172

7. 시트메탈/캐빈 PART NO. T7

FIG 701 HOOD (1)	175
FIG 702 HOOD (2)	177
FIG 704A LEVER COVER & STEP	179
FIG 705 FRONT & REAR MOUNTING	181
FIG 706 SEAT & MAT	183
FIG 709 DOOR	185
FIG 710A FRONT GLASS	188
FIG 711 SIDE GLASS	190
FIG 712 REAR GLASS	192
FIG 713A SUB FENDER & COVER	194
FIG 714A MIRROR	196
FIG 715A HEATER & AIR-CON	198
FIG 715B HEATER & AIR-CON	200

FIG 716 FENDER COVER	202
FIG 717 ROOF	204
FIG 718 CABIN INTERIOR	206

8. 전장 PART NO. T8

FIG 801 BATTERY MOUNTING	209
FIG 802 LIGHT & BACK LAMP	211
FIG 803 INSTRUMENT PANEL	213
FIG 804 ELECTRIC SYSTEM (1)	215
FIG 805A ELECTRIC SYSTEM (2)	217
FIG 806 ELECTRIC SYSTEM (3)	219

9. 라벨/옵션 PART NO. T9

FIG 901 TOOL & ACCESSORY	222
FIG 902 WEIGHT	224
FIG 903 LABEL	226

1. 엔진 PART NO. EG

FIG 100 ENGINE	7
FIG 101A CYLINDER BLOCK (T554)	9
FIG 102 GEAR HOUSING	11
FIG 103 FLYWHEEL HOUSING & OIL SUMP	13
FIG 104A CYLINDER HEAD & BONNET (T554)	15
FIG 105A SUCTION MANIFOLD (T554)	18
FIG 106A EXHAUST MANIFOLD (T554)	20
FIG 107A DIESEL PARTICULATE FILTER (T554)	22
FIG 108 CAMSHAFT & DRIVING GEAR	24
FIG 109 TURBINE (T554)	26
FIG 110A CRANKSHAFT & PISTON (T554)	28
FIG 111 BALANCER	30
FIG 112A LUB. OIL SYSTEM (T554)	32
FIG 113 LUB. OIL LINE (T554)	34
FIG 114 COOLING WATER SYSTEM	36
FIG 115 FUEL SUPPLY PUMP	38
FIG 116A FUEL INJECTION VALVE (T554)	40
FIG 117 FUEL LINE	42
FIG 118 STARTING MOTOR	44
FIG 119 GENERATOR	46
FIG 120A ELECTRONIC CONTROL UNIT (T554)	48
FIG 121A ELECTRIC PARTS (T554)	50
FIG 122A ACCESSORY (T554)	52

PARTS SUGGESTED LIST

PART NUMBER	DESCRIPTION	QTY for EACH TRACTOR
12915035153	FILTER	1
129A0055800-	FILTER, FUEL OIL	1
129A0055730-	ELEMENT	1
17975152101	ELEMENT , 43	2
14527072500	FILTER , AIR /MAIN	2
16004340040	SEAL	2
16704330180	CAP , 90	2
16704340150	O RING	2
17686040030	RIVET SET , ivory	72
P822768	ELEMENT ASSY , OUTER	1
16704340040	SEAL ASSY	2
P822769	ELEMENT ASSY , INNER	1
V4011600160	WASHER , SPRING	54
V2193606020	BOLT , HEX/SPL	21
16995152360	COUPLING , 1/2	4
14527052400	HINGE COMP , UPR/RH	2
15817401130	GROMMET , 13X17X02	23
V7231020115	O-RING	2
15186313000	MIRROR ASSY	2
14251320150	COUPLING	2
15276040020	CLIP , TRIM	9
V4011600140	WASHER , SPRING	52
V7231020110	O-RING , S	2
V2123606012	BOLT , HEX /SP	10
V2173608025	BOLT , HEX/S	29
V6041106208	BEARING , BALL/HL1	2
16704130080	HOUSING , SEAL	2
V2014616030	BOLT , HEX	16
16322732010	SEAL , OIL	1
V7041400250	C-RING , SHAFT	13
V2173608020	BOLT , HEX/S	7
15643072002	SEAL ASSY , OIL	2
14537072501	hazard SWITCH	1
17686641110	RELAY , PREHEAT	2
V2183608020	BOLT , HEX/SP	63
16731112130	FILTER	1
V6041106308	BEARING , BALL/HL1	4
V7441254708	SEAL , OIL/D	1
V4011600120	WASHER , SPRING	18
14527072420	FILTER , AIRCON / MESH	2
V4111600160	WASHER , PLAIN	2
V2123606016	BOLT , HEX /SP	33
14527052131	GLASS , LH/ DOOR	1
V2183608025	BOLT , HEX/SP	19
V4011600100	WASHER , SPRING	22
14527052300	HINGE COMP , UPR/LH	2
17995080201	UNION , 1/2	2
V2173612030	BOLT , HEX/S	16
V3043600100	NUT , HEX/2	11
16734130080	GEAR , BEVEL 11T	2

PART NUMBER

DESCRIPTION

QTY for EACH TRACTOR

V7441256210	SEAL , OIL/D	1
V7051400620	C-RING , HOLE	3
14527052110	GASKET , DOOR HINGE	8
14527042500	NUT COMP , GLASS	15
17686040020	RIVET SET , black	19
V4111600220	WASHER , PLAIN	6
V3802600060	NUT , HEX FLANGE	5
14527052140	INSULATOR/DOOR	2
V7041400200	C-RING , SHAFT	3
21575070110	BOLT , GRIP(M6)	4
17705254200	PIN	2
V6041106210	BEARING , BALL/HL1	2
V4111600100	WASHER , PLAIN	14
V7201024010	O-RING , P	1
V3043600160	NUT , HEX/2	16
16709510081	WASHER , 50X67X2	2
V7201019009	O-RING , P	1
14527041110	PIN, HINGE DOOR	4
V6001106014	BEARING , BALL	2
V5502040093	RIVET , BLIND	4
14526040030	RIVET SET	12
16704340070	SHAFT , WHEEL	2
V2014614040	BOLT , HEX	4
V1202606012	SCREW , C/R PAN /P	8
V6001106012	BEARING , BALL	2
14522092162	KEY , SYNCHRO	9
V7211031080	O-RING , G	1
V4111600080	WASHER , PLAIN	45
V7051400420	C-RING , HOLE	1
V6001106207	BEARING , BALL	4
V3002600060	NUT , HEX/1	2
14521213100	COVER ASSY , CLUTCH	1
16704110121	SHIM	2
V7082400070	E-RING	12
17995080931	UNION , 1/2 L60	2
V4011600060	WASHER , SPRING	17
16997027700	NOZZLE SET	1
13156642202	SWITCH , COMBI	1
V4111600140	WASHER , PLAIN	6
16734074104	JOINT SET , BALL	2
17975152001	FILTER ASSY , SUCTION 43	1
V3343600220	NUT , HEX FINE/2	2
14527103701	CABLE ASSY , JOYSTICK (620)	2
14527023300	LAMP ASSY , RR COMBINATION	2
16603070010	NUT , M50 P1.5	2
V3043600120	NUT , HEX/2	5
15024320020	BEARING , TAPER ROLLER	2
V3013600060	NUT .HEX NORMAL /2	6
V6321132011	BEARING , TAPER-ROLLER(32012XQ	4
14527053131	GLASS , RH/ DOOR	1

PART NUMBER DESCRIPTION QTY for EACH TRACTOR

V7051400900	C-RING , HOLE	2
V4011600080	WASHER , SPRING	30
V2173608016	BOLT , HEX/S	16
16704320030	COLLAR , 68X80X2	2
V3043600140	NUT , HEX/2	11
V2193606012	BOLT , HEX/SPL	20
12009100190	LABEL , WARNING BELT	1
14522200041	SLEEVE , PTO SHAFT	1
V7041400600	C-RING , SHAFT	2
V4111600060	WASHER , PLAIN	9
14527042301	HINGE , REAR GLASS/M6	2
16704130060	SHIM , 75X90X2	2
14321200040	SPRING , TENSION 31	2
16997013020	WASHER , EVAPORATOR COVER	8
V5201010022	PIN , PARALLEL/A	17
12009100240	LABEL , CAUTION MUFFLER	1
V7051400800	C-RING , HOLE	2
14521213201	DISK ASSY , CLUTCH 260	1
14527301080	DAMPER ASSY , DOOR	2
16735240060	Spring	2
12009100130	LABEL , DANGER PTO	1
12009100020	LABEL , WARNING PARKING	1
12009100030	LABEL , WARNING EXHAUST	1
V7041400300	C-RING , SHAFT	2
14622100531GB	PULLEY , MID	1
16997032000	MOTOR ASSY , WIPER	1
12009100120	LABEL , CAUTION FAN	2
14524070081	CYLINDER COMP	1
V6802000010	BALL , STEEL	7
V7201024016	O-RING , P	4
12009100140	LABEL , WARNING DRAW	1
V2193606016	BOLT , HEX/SPL	11
12009100230	LABEL , CAUTION OPERATION	1
14622600100	FLANGE NUT , M10/FINE/4T	1
12009100060	LABEL , WARNING DIFF	1
14153070020	COLLAR , 55X70X4	2
17689100170	LABEL , CAUTION SAFETY	1
16997033400	WIPER & BLADE ASSY , RR	1
14527052600	GRIP ASSY , LOCK/HANDLE	2
12009100050	LABEL , WARNING FIRE	1
V2173610025	BOLT , HEX/S	24
10016540120	CAP , RUBBER 20	5
16734340010M	CASE , FINAL DRIVE(A)	2
12009100210	LABEL , WARNING THROTTLE	1
V3412700080	NUT , SMALL CAP	6
14527052120GB	PLATE , DOOR HINGE	2
16003302101	TANK ASSY , RESERVE	1
13377210020	WASHER , 11X24X3	1
14527042111	GLASS , REAR	1
V6001106204	BEARING , BALL	1

PART NUMBER

DESCRIPTION

QTY for EACH TRACTOR

V7051400950	C-RING , HOLE	3
14527042140	SPACE , HANDLE/REAR	2
14527070051	SWITCH ASSY,WIPER/LAMP	1
14522092170	SPRING , SYNCHRO	6
13603102000	CAP ASSY , TANK	1
V7201024021	O-RING , P	1
V3043600080	NUT , HEX/2	15
20115300010	RELAY ASSY , TWIN	1
14527103600	BODY ASSY , JOYSTICK	1
V7051400320	C-RING , HOLE	2
V7041400350	C-RING , SHAFT	3
V5001920015	PIN , SPLIT	4
16608303202	COMPRESSOR ASSY	1
16996015511	RUBBER , GUARD	4
V7051400470	C-RING , HOLE	3
13022250030	SPRING , SHIFTER	7
21447350060	WASHER , 08X22X02	2
V7041400450	C-RING , SHAFT	4
V3042600080	NUT , HEX/2	22
79642010080	SHIM , B	2
14527042150	HANDLE , GLASS/REAR	2
14527072411	COVER, AIR FILTER	2
19027210060	NUT , NYLON , M6	2
14215020020	PIN , LINK	6
V6001106212	BEARING , BALL	2
V2113606010	BOLT , HEX /S	3
16997025900	LAMP ASSY , WORKING	4
14527042600	BOLT COMP, GLASS /M8L	1
14152050160	SHIM , B	1
14527092120	BUSH, NYLON/16X18X27	4
V6001106305	BEARING , BALL	1
14254310080	SHIM , A	1
V2183608030	BOLT , HEX/SP	7
15645220011	PIN , 19X86	1
V3802600080	NUT , HEX FLANGE	5
15186070020	BOLT , KNOB M8X31	1
14136081181	BOX , TOOL	1
V6001106211	BEARING , BALL	2
14523010090	SHIM , B	4
15155262340	PIN , 22X56	2
14521330002	ROD SUB , CLUTCH	1
13267028202	SOCKET ASSY , TRAILER	1
12009100160	LABEL , DANGER RIDING	1
17468079300	V BELT , CONDITIONER REC A58 A	1
V1222604012	SCREW , C/R PAN/SP	4
V7811600006	PLUG , SQUARE	3
V5001920020	PIN , SPLIT	13
12009100010	LABEL , WARNING SUB SHIFTER	1
15601160083	PIN , 06X16	1
V2183608016	BOLT , HEX/SP	52

PART NUMBER

DESCRIPTION

QTY for EACH TRACTOR

12009100150	LABEL , WARNING RADIATOR	1
15155262330	SPRING , EXTENSION	2
V5001925020	PIN D2.5x20	14
15645220020	PIN , 19X95	3
12009100040	LABEL , WARNING STOP VALVE	1
V5801406032	PIN , SPRING	1
14527032510	GLASS, SIDE/RH	1
19156460020	PLUG , SWITCH	2
16702190060	GRIP , 4WD	1
V3013600100	NUT .HEX NORMAL /2	10
17699100090	LABEL , WARNING JOYSTICK	1
18027090800	BAND CLAMP 80 EMBO TYPE	3
V7051401000	C-RING , HOLE	2
15186213200	SWITCH ASSY , STOP LIGHT	1
16735080892	BOLT , STUD 155	2
12009100111	LABEL , DANGER AIR CONDITONE	1
12209041222	LABEL , VENTILATION	1
V7081400070	E-RING	1
V2183608012	BOLT , HEX/SP	3
17677030030	LABEL , COVER	1
V3402700100	NUT , HEX CAP	2
12147078721	KEY SET	1
V6001106205	BEARING , BALL	1
14254330180	CAP , 72	1
14523010100	SHIM , 0.2	2
17699100100	LABEL , WARNING JOYSTICK	1
V5201010020	PIN , PARALLEL/A	1
V7211031030	O-RING , G	6
18994310010	SHAFT	1
12009100080	LABEL , WARNING TILTING	1
14322420010	PIN	12
V5001940035	PIN , SPLIT	4
12609040620	LABEL , STARTING WARNING	1
15155253300	ROD SUB , REAR	2
V7051400720	C-RING , HOLE	1
V2173612040	BOLT , HEX/S	6
V7441254008	SEAL , OIL/D	1
15155262360	PIN , SPRING	2
V2144610030	BOLT , HEX FINE /S	4
V5801405036	PIN , SPRING	2
V2113606012	BOLT , HEX /S	1
V2513416035	BOLT , STUD/2	4
15601320073	NUT , HEX LH	4
V7081400080	E-RING	7
V3042600100	NUT , HEX/2	2
14523010050	SHIM , 0.1	1
15603200010	BOLT , STUD M16X30	8
V7051400520	C-RING , HOLE	1
14528303000	EXPANSION VALVE ASSY	1
14046210300	GROMMET	3

PART NUMBER

DESCRIPTION

QTY for EACH TRACTOR

14627300531	SHAFT , MID PULLEY	1
14622100541	COLLAR , SPACER	1
10037018500	SOCKET ASSY , POWER	1
V3402700060	NUT , HEX CAP	4
19027212200	HINGE ASSY , SUNROOF	2
14527052700	LOCK SET , LH/DOOR	1
V7201024014	O-RING , P	1
V7081400120	E-RING	1
14527032140	INSULATOR , GLASS/SIDE	2
17994420060	SNAP RING , C TYPE	3
V2173610035	BOLT , HEX/S	9
15602800044	BOOT	1
15184322500	CAP ASSY , OIL	1
19955201600	COLLAR , 19X36X17	2
V6001106005	BEARING , BALL	2
V7081400060	E-RING	13
V2183610035	BOLT , HEX/SP	2
V4111600200	WASHER , PLAIN	4
14445140051	PIN , 19	8
V7211031055	O-RING , G	2
14527061120	PLATE , LAMP	4
V1112606040	SCREW , C/R PAN	5
12009100070	LABEL , WARNING BRAKE	1
15155253100	ROD SUB , FR	2
V2323606016	BOLT , C/R HEX/SP	14
14527052500GB	GUIDE COMP ,LH/ DOOR	1
V6041106205	BEARING , BALL/HL1	1
V2014612030	BOLT , HEX	4
14527022120	INSULATOR, GLASS/UPR	1
17689200050	LABEL , DIFF	1
16734340050	SHAFT	2
15605150031	HOSE , 100	3
14527052150	GASKET,DOOR GRIP	2
V6001506302	BEARING , BALL	1
V2024610025	BOLT , HEX FINE	10
V5201012020	PIN , PARALLEL/A	4
14527022110	GLASS , FR/UPR	1
14527042120	INSULATOR , RR / GLASS	1
16505245501GB	LINK ASSY , TOP LINK	1
V7201024012	O-RING , P	1
14725182210	SOLENOID COIL	1
V2013610030	BOLT , HEX	1
14522092012	HUB , SYNCHRO MAIN	2
V2183610025	BOLT , HEX/SP	2
16004372600MS	RIM , W8-16	2
V2024614040	BOLT , HEX FINE	10
V2173608045	BOLT , HEX/S	3
14527063311	CAP,SWITCH	1
16702230371	PLATE	1
15155253000GB	LINK ASSY , ADJUSTER	2

PART NUMBER

DESCRIPTION

QTY for EACH TRACTOR

V4011600050	WASHER , SPRING	13
35602010150	WASHER , BIND SHAFT	8
14522092020	SYNCHRO RING , SINGLE RING	4
16704340021	GEAR , BEVEL 9	2
17995080091	SPRING , LOCK	4
S2169908420	PIN , SNAP/28	3
V7201024018	O-RING , P	1
V3042600120	NUT , HEX/2	2
V5801405025	PIN , SPRING	2
V2514412040	BOLT , STUD/2	1
V6041106305	BEARING , BALL/HL1	3
14527022310	GLASS ,FR/LOW/LH	1
14527070073	RELAY BOX ASSY , CABIN	1
13606642401	FLASHER ASSY	1
21306010180	PIN , SNAP/6	2
14527032130	GLASS, SIDE/LH	1
14522092141	COUPLING , SYCRO/S	3
V4111600050	WASHER , PLAIN	9
17461042100	RADIATOR ASSY	1
13153280050	PAD	3
14527052720	STRIKER	2
16704320050	WASHER , THRUST	2
V7201057052	O-RING , P	1
V2013614045	BOLT , HEX	12
14522842010	CABLE ASSY,REVERSE	1
V2013614035	BOLT , HEX	6
V2183606016	BOLT , HEX/SP	2
15642212050	CLUTCH , DISK	7
V7081400090	E-RING	5
37371720090	CLAMP , W/HARNESS	1
14527060010	WASHER , JERBSI SPRING/10	2
13252472010	PIN , DRAWBAR	1
14326510210	CAP , RUBBER 20	9
16704112120	COLLAR	1
14527063101SR	FENDER COMP , LH/SUB	1
V6041106207	BEARING , BALL/HL1	2
V5901010070	WIRE , STEEL	4
14522652200	ARM COMP , 4WD	1
15817401140GB	WASHER , 7X36X3	2
11644012302	CAP(TYM) , STEERING WHEEL	1
V2004616050	BOLT , HEX	2
15643102611	DISK COMP , BRAKE	10
V5801403025	PIN , SPRING	1
V2173610020	BOLT , HEX/S	10
V7421253505	SEAL .OIL	2
13011042110	CAP 0.9bar	1
14527072700	DAMPER ASSY,ROOF	2
V3012600040	NUT , HEX/2	2
14524054003	STEERING VALVE UNIT	1
14527042400GB	BRACKET COMP, RR/DAMPER	2

PART NUMBER

DESCRIPTION

QTY for EACH TRACTOR

16606510210	CAP , RUBBER 30	3
14273010050	COLLAR , THRUST	2
14527061771	COVER,LH / LAMP	1
V3343600160	NUT , HEX FINE/2	2
14442180090	BOOT , CHANGE LEVER	1
17686013502	SPRING	4
V1122605012	SCREW , C/R FLAT	3
14527082220	CONTROLLER ASSY, AIR CON	1
14527072204SR	ROOF COMP, MAIN	1
14051060030	WASHER	2
V5901010180	WIRE , STEEL	1
16703180191	PLATE , STOP	1
14528305100	FILTER	1
14527070031	COVER, CASSETTE	1
15602231610	BOLT , SET M8X16	5
14527022200	DAMPER ASSY, RR	2
V7201124014	O-RING , P	1
15606642500	SWITCH SET , PUSH	1
V2183610020	BOLT , HEX/SP	6
V6041106206	BEARING , BALL/HL1	1
14527022410	GLASS ,FR/LOW/RH	1
12414342000M	CASE , FINAL DRIVE B/L	1
14523010080	SHIM , A	2
17995010110	RING	1
V2173610040	BOLT , HEX/S	6
14527032120	PLATE, SIDE HINGE /LOW	2
18027090200	BAND CLAMP 20 EMBO TYPE	2
12185243000GB	ROD ASSY , LIFT	1
17995050101	VALVE ASSY , MAIN CONTROL	1
14326210110	CAP , M16	8
16704310160	GEAR , DIFF SIDE(20)	2
16601220020	TURNBUCKLE , M8 L60	4
14661042340	SPONGE , SIDE 500	2
14661042360	SPONGE , FRONT 500	2
14527032200	BOLT COMP,GLASS	2
14045030060	PACKING , OIL PUMP	2
V2053606050	BOLT , HEX C/R	6
16704310031	CASE , FR DIFF	1
16342212050	CLUTCH , PLATE	6
18027090400	BAND CLAMP 40 EMBO TYPE	11
14527071370	GLASS , REAR LOWER	1
15175244000GB	LINK ASSY , LIFT RH	1
V2013616035	BOLT , HEX	7
14527061781	COVER,RH / LAMP	1
15642212090	SEAL , C	1
V2113606020	BOLT , HEX /S	4
V7201124020	O-RING , P	1
14322420040	GRIP , B	2
V7601500000	NIPPLE , GREASE/A-M6F	1
V2013608035	BOLT , HEX	2

PART NUMBER

DESCRIPTION

QTY for EACH TRACTOR

36313530021	ADAPTER , HIGH-PRESSURE	1
V2712606012	BOLT , WING	2
13424020060	CABLE TIE , 300	32
14445070030	GRIP , LEVER	1
19951030790	FAN,LD7_412(K06)	1
V6321132208	BEARING , TAPER-ROLLER	2
12427082411	HVAC ASSY	1
V6031106204	BEARING , BALL/HL	1
16995152420	CAP , DUST	4
14526210301	CUSHION RUBBER , RADIATOR	2
V1112605030	SCREW , C/R PAN	7
14527063201SR	FENDER COMP,RH/SUB	1
14527072300	ANTENNA ASSY	1
10547024811	Remote control	1
14326160020	RUBBER , CUSHION	1
15175250010	PIN , 22X63	2
14527062500GB	BRACKET COMP , DOOR LOCK	2
14527093301GB	LEVER COMP,AUX/B	1
V3052600160	NUT , HEX/3	1
15640040001	VALVE , SUB FLOW CONTROL	1
17466024720	INSULATOR, SIDE	1
16606070031	CAP , 9	4
10547024831	OPERATOR'S MANUAL(ENGLISH-BLUE	1
12414342100M	CASE , FINAL DRIVE B/R	1
15242360050	COUPLING , SLIDE	3
V5801408036	PIN , SPRING	2
14522212000	CLUTCH ASSY , PTO	1
17995030040	RING , BACK UP	2
18027090250	BAND CLAMP 25 EMBO TYPE	1
14443140041	COLLAR , 35X50X2	1
V1122606012	SCREW , C/R FLAT	2
V2514410050	BOLT , STUD/2	4
17975182001	VALVE ASSY , PTO	1
V7811600008	PLUG , SQUARE	1
15606950150	CABLE TIE , 370	2
15602230085	SEAL	4
W2004610090	BOLT , HEX	1
14522080080	SNAP RING , C TYPE	1
14043120060	PIN , YOKE	3
15991040050	COLLAR , 08X12X08	3
V3342600100	NUT , HEX FINE/2	7
V1222606010	SCREW , C/R PAN/SP	28
V5111006036	PIN , TAPER SPLIT	1
14522590021	STAY , SHIFTER RANGE	1
19956043601	FIX PIN , COMP	4
15966250010	INSULATOR	2
14527052101	DOOR SUB , LH	1
V2183610060	BOLT , HEX/SP	6
V7631500000	NIPPLE , GREASE/B-PT	4
14526013600	PIN	2

PART NUMBER

DESCRIPTION

QTY for EACH TRACTOR

21441300010	SPRING , HE075	1
16505245530	NUT , HEX	1
14527095412	COVER,LEVER	1
17995030030	O-RING	2
13602470020GB	LINK , HITCH	1
FPG068449	CLEANER ASSY, AIR	1
14527072110	INSULATOR,ROOF	1
V6544253117	BEARING , NEEDLE CAGED-K253117	1
13605200012GB	COVER , SHIELD	1
14527023200	WIPER ARM&BLADE ASSY	1
V1122608040	SCREW , C/R FLAT	4
15155253400	PIN , ϕ 20X59	2
13764020030	CABLE TIE , 140	9
17466642300	GAUGE , FUEL	1
17971850140	ADAPTER , STRAIGHT PF1/4	1
14527022320	INSULATOR , FR/LOW	2
14527062600	MOTOR ASSY, FR/ WIPER	1
14527072600GB	BRACKRT COMP , SPRING/ROOF	2
V5001925025	PIN , SPLIT	1
14527074111	COVER, SUNROOF/INNER	1
16734350010	SHAFT , 528	1
15602160083	WASHER , 25X46X3	1
15189240160	NUT , NYLON , M16	2
17686020600	LOCK COMP . HOOD	1
14527053500GB	GUIDE COMP ,RH/DOOR	1
V7201124022	O-RING , P	1
14522070120	BUSH	1
V5801406025	PIN , SPRING	3
14526024550	PIN	1
16704320020	PINION , DIFF(12)	2
V6041106306	BEARING , BALL/HL1	2
14523022100	GEAR SET , 10-41T	1
V6802000019	BALL , STEEL	12
15157103901GB	LEVER COMP . JOYSTICK	1
14256210040	CLAMP , 9	7
15441230050	ROD	1
V7211031075	O-RING , G	1
18027090160	BAND CLAMP 16 EMBO TYPE	10
14527025501	SPEAKER ASSY	2
17973030420	SPRING	1
12175189900	LOADER VELVE SUB	1
36423600080	CLIP , HOSE D=12.5	2
V2014612075	BOLT , HEX	2
14525254100GB	BRACKET COMP , RR	2
15155253500	EYEBOLT	2
14526250011	INSULATOR COMP . MOUNTING	2
37371540030	RUBBER , SEAT	1
15537078512	COVER, RR/DASH	1
15605110054	GRIP , 3X17X97	2
15155262350	GRIP	2

PART NUMBER

DESCRIPTION

QTY for EACH TRACTOR

15642730082	WASHER , 35X55X3	3
V6041606305	BEARING , BALL/HL1	1
17461210020M	SLEEVE	1
V7081400150	E-RING	4
15537078560	CAP , SWITCH	2
17686013602	PIN	2
19955100010	HOSE , 26X34X60	1
17995200021	PIN , 19X76	2
17484312001GB	COVER COMP , 4WD	1
V2163608020	BOLT , HEX/P	4
15533030020	NUT , M40 P1,5	1
19956525001	HEAD LAMP ASSY , RH/R113	1
19997090010	ROD,SWITCH	1
12136213210	KEY , BONNET OPEN	1
17461036301	VELT(A40.5)	1
16734350020	SHAFT , 344	1
14443140091	CAP , PTO SHAFT	1
17995010150	HOSE . 500	1
14523292501	ROD COMP , HOOK	2
14527032402	LOCK UNIT , WINDOW/SIDE	2
V2173608030	BOLT , HEX/S	4
34522812402	BUZZER ASSY	1
V2014612160	BOLT , HEX	4
13266212003	HORN	1
16704332220	BUSH , 50X55X20	1
V3302600140	NUT , HEX FINE/2	1
11116222000	EMBLEM ASSY , K1	1
14527078522	COVER, FR/DASH	1
14527071120	COLLAR	10
15157095201	ROD COMP , AUX/B	1
14522092152	HUB , SYCRO SHUTTLE	1
15642160041	WASHER , 30X46X3	3
19956524001	HEAD LAMP ASSY , LH/R113	1
17466462500	THROTTLE SENSOR ASSY	1
14526642101	CASE ASSY,FUSE	1
17468302402	LIQ.HOSE ASSY NO2	1
19965080962	VALVE , AUX EXTERIOR SPRING	1
V2183612020	BOLT , HEX/SP	4
14528304000	THERMOSTAT ASSY	1
14527073120	SPRING NUT, SCREW	8
14527070041	COVER, CONTROLLER/AIR CON	1
13606562000	LAMP , POSITION	2
V5201006016	PIN , PARALLEL/A	2
17680070000	VALVE ASSY . RELIEF	1
14525070121	PLATE , POSITION	1
12285080941	VALVE , AUX EXTERIOR FLOATING/	1
14527062110GB	STAY , LH MIRROR	1
V2173608085	BOLT , HEX/S	2
13606571000	REAR REFLECTOR	2
14521305100	PLATE , SEAL	1

PART NUMBER

DESCRIPTION

QTY for EACH TRACTOR

14443150040	STOPPER	1
14523031001	DIFF ASSY, RR 47PS	1
18021032100	INDICATOR , REX770050 5KPa	1
14527062310GB	STAY , RH MIRROR	1
14526092010	PLATE	1
14527075112	COVER , LH /PILLAR	1
17466462600	SWITCH ASSY , REGEN	1
15175262300GB	LINK ASSY , LOWER LH	1
14522081550	BOLT	2
V7201124016	O-RING , P	1
16745080170	JOINT , LINK	2
17461042201	SHROUD	1
14527032110	PLATE, SIDE HINGE / UPR	2
14527081240	HOSE ASSY, SUC.2	1
14527074201SR	SUN ROOF COMP	1
15175262200GB	LINK ASSY , RH LOWER	1
V7082400080	E-RING	2
14524070010	HOSE ASSY , HYD 390	1
14628202600	PIPE COMP	1
19956300010	INSULATOR, SIDECOVER	2
15646542130	BULB , 12V 21W	2
13367023400	LAMP ASSY , STOP	2
17688200050	ELBOW , 90	2
14527095101	ROD COMP , AUX/A	1
14521304510	OIL SEAL	1
17995070170	PLATE , D	1
17406014300	GUIDE, HOOD PIN	1
14527095501	PLATE COMP	2
15115200000	PUMP ASSY , GEAR	1
15602650021M	METAL , SHIFTER	1
17975163000	FILTER ASSY , LINE	1
17995161130	UNION , PF3/8 PF1/2	1
11106020010	SPRING , TENSION 40	1
V1222606020	SCREW , C/R PAN/SP	2
19027033120	CAP	1
14521114300GB	BAND COMP . FR TANK	1
16735243500	PIN	2
V2013614040	BOLT , HEX	10
13267060022	PLUG , DRAIN	1
14521302150	BUSH , BAR COMP	2
V6544101410	BEARING , NEEDLE CAGED	1
17995070180	SPRING	1
14527040060	PIN , RR / HINGE	2
14884110090	NUT , M30	1
15642430110	HUB , 30X62X19	2
14523070020	GEAR , HELICAL 54T	2
14525070130	SHAFT . SLOW RETURN	1
V2123606030	BOLT . HEX /SP	4
14527072130	INSULATOR , ROOF/SUB	1
17466462700	SWITCH ASSY , INHIBIT	1

PART NUMBER DESCRIPTION QTY for EACH TRACTOR

14527071640	BOOT , SHIFTER	2
14521304520	SPACER , NEEDLE BEARING	1
14522590032M	FORK , SHIFTER H-L	1
14722212090	RING , PISTON	1
14523060011	PINION , LH HERICAL11T	1
14527103610	BOOTS , JOYSTICK VALVE	1
V1922806016	SCREW , TAPPING C/R PAN	2
14141170050	LINING , 13X50X3	1
36461020111	BUSH , 14X16X20	1
16505245520	LINK COMP , LH TOP LINK	1
15263202050	WASHER	12
14522252000	ARM SET , REVERSE	1
14523030100	WASHER , THRUST	2
S0973063031	PIN ASSY	1
17461042350	SPONGE , UNDER	1
15706264100GB	HOLDER COMP, RR/MOUNTING	2
12516743300	SWITCH ASSY , PTO	1
14501410050	BAND CLAMP 16	2
14524322000M	HOUSING , FRONT AXLE	1
16704110060	SHAFT , DIFF PINION	1
16704310040	SPACER , R	1
V2513412045	BOLT , STUD/2	2
17995032300	CYLINDER COMP	1
V2053606035	BOLT , HEX C/R	2
14571332100GB	PEDAL COMP , CLUTCH	1
14527078550	LABEL,PTO	1
14527052730	GUARD	2
V2014616050	BOLT , HEX	1
V2173608050	BOLT . HEX/S	3
14522240131	GEAR , SPUR-HELICAL 16-38	1
15706254100GB	HOLDER COMP, FR/MOUNTING	2
36753302201GB	HOLDER COMP , TANK/RESERVE	1
14527024906	HARNESS ,CABIN	1
17468302201	HOSE ASSY , DISCHARGE	1
15601300010	PIN , 08X40	1
V7051401100	C-RING , HOLE	1
14523060021	PINION , RH HERICAL11T	1
19956024711	INSULATOR , HOOD(PROTECT HEAT)	1
14527040050	STOPPER , RR/LOCK	2
14527092110	SHAFT	2
19997090210	PIN , POSITION ROD	1
14216020051	RUBBER , CUSHION B	2
15537078570	CAP , SWITCH	3
17468302801	SUC. PIPE ASSY	1
17994360221	CONNECTOR	2
17131049210	HOSE CLIP 11	1
15252470010	RUBBER , CUSHION	1
14526265401GB	BRACKET COMP , MOUNTING RR/LH	1
14527071582	COVER RH, RUBBER	1
14527053700	LOCK SET , RH/DOOR	1

PART NUMBER

DESCRIPTION

QTY for EACH TRACTOR

14522430062	GEAR , SPUR 24T	1
19956202021GB	COVER , LH SIDE	1
14527075212	COVER , RH / PILLAR	1
16001200080	RETURN SPRING , BRAKE	1
14526062601GB	STEP COMP ,LH	1
14521114400GB	BAND COMP . R TANK	1
14555140251	TURNBUCKLE COMP	1
V7041400140	C-RING , SHAFT	3
15642080080	SNAP RING , C TYPE	1
17465152202GB	PIPE COMP , SUCTION FR/RR	1
17468303700	CONDSEY ASSY	1
V2034616070	BOLT , HEX FINE	2
14528302001	MOTOR , BLOW(4900RPM)	2
14527073200	COVER, ASSY, GRILLE/AIR CON	8
16704362221	BUSH , 75X80X30	1
14523190011M	FORK , DIFF LOCK	1
14523272031	SPRING	6
14276010030	WASHER , 15X24X2	1
17461040330	INSULATOR	1
14441010161	CLAMP , RADIATOR HOSE	8
17466024731	INSULATOR, SHROUD	2
14528305200	CLAMP , FILTER	3
14527092201GB	LEVER COMP,P/D	1
14522230022M	FORK , SHIFTER 3-4	1
V5901010150	WIRE , STEEL	3
14522600040	SHAFT, 4WD	1
17995020021M	LIFT , CRANK	1
17995040170	WASHER , LOCK	1
17995070200	PLATE , A	2
14527103100GB	BRACKET , JOYSTICK	1
12120028430	SWITCH , BATTERY	1
14527081260	SEAL,PIPE	2
14527072150	COVER, REAR GLASS	1
14522092101	DOUBLE SYNCHRO ASSY	2
14722212020	PISTON	1
17995031000	ROD ASSY , PISTON	1
14523070011M	SHAFT , REAR WHEEL	2
16586652000	HORN COMP	1
14522832002GB	LEVER COMP,SHUTTLE	1
14527071650	COVER , BOOT	3
16601850160	BAND CLAMP 22	1
14522250093M	HOOK , SHIFT REVERSE	1
14523180041	PINION , DIFF	2
15133102020	PLATE	8
14527100010	COVER , JOYSTICK T483	1
15189030060	LABEL , PORT	1
14522810102	GRIP , RANGE	1
14527081220	HOSE ASSY, SUC/NO3	1
14527095422	LABEL,POSITION	1
14527071350	HOOK , TOPLINK	1

PART NUMBER

DESCRIPTION

QTY for EACH TRACTOR

14527071330	BRACKET , EXTENSION COVER LOWE	2
13607010012GB	NUMBER PLATE	1
14527081160	CLAMP,HOSE/19.3	8
16704020020	SPACER (F)	1
V6001606307	BEARING , BALL	1
15642730052	HUB , 35X62X20	1
16490110001	VALVE ASSY , RELIEF	1
37681850141	ADAPTER , STRAIGHT	1
14526300530	INSULATOR . JOYSTICK	2
17466502001	CABLE ASSY . BATTERY	1
19956203021GB	COVER , RH SIDE	1
14527090020	CAM , SENSER	1
14216210380	CABLE TIE , 200	4
14887024000	LAMP ASSY , NUMBER PLATE	1
14522230062	STAY , SHIFTER 1-2	1
V7201019008	O-RING , P	2
14522430040	GEAR , SPUR 16-39	1
15152620010	GEAR , SPUR 26T , 4WD	1
15642212070	DISK , BRAKE	1
15642212060	PLATE , RETURN	1
15133060030	COLLAR , THRUST 45X68X4	2
15605070070	KNOB , SLOW RETURN	1
16997024500	LAMP ASSY , ROOM	1
14521333600	ROD COMP.L	2
15666642000	SWITCH , PUSH	1
15115100001	PUMP ASSY , GEAR (MAIN)	1
14444120090	WASHER , SEAL	1
14522240120	GEAR , SPUR 39T	1
14522430020	SPACER , 34X1.8	1
14523040011M	HOUSING , AXLE L	1
19956200060	SEAL , HEAD LAMP	2
14524072701	HOSE ASSY, HYD1320/P	1
14326210061	NUT , LOCK M12	4
14522842020	BOOT,REVERSE	1
14527078541	LABEL,LH/COMB	1
V2143610035	BOLT .HEX FINE MACHINE/S	3
16007060020	BOLT . DRAIN	2
14522240180	SPACKER,25X36X06	1
14522590053M	FORK , SHIFTER M-LL	1
17995010220	PLUG , PT1/2	1
16705060060	UNION	2
17465153303GB	PIPE COMP , SUCTION FR	1
18027090600	BAND CLAMP 60 EMBO TYPE	1
19957023220	BLADE ASSY	1
17687025300	CLIP , CABLE	3
14527082230	CABLE ASSY, WATER VALVE	1
V1112605012	SCREW , C/R PAN	4
14527081750	CLAMP,HOSE/AIRCON	2
14527071551	COVER, LH , FENDER	1
14527020630	HANGER	1

PART NUMBER

DESCRIPTION

QTY for EACH TRACTOR

16754042100GB	PIN COMP , LH 16X21	2
14524041110	PAD , HOSE	1
16996549160	BULB , 12V 35W	4
16704340031	GEAR , BEVEL 16	2
14523100160	PIN , TORQUE	2
14523040021M	HOUSING , AXLE R	1
V2013608090	BOLT , HEX	2
16997035100	BLADE , 300	1
14527081110	HOSE, OUT / WATER VALVE	1
14527081210	HOSE ASSY, LIQ.NO4	1
14521170040	GRIP,REVERSE	1
15175244400	LIFT SUB , LOW	1
17461010002	ENGINE , 4TNV86CT-KKTF	1
14521002020	COUPLING , PTO	1
V3002600050	NUT , HEX/1	4
14522130020	GEAR , SPUR 27T	1
14522090041	GEAR , SPUR 28T	1
15162080010	GEAR , HELICAL 14T	1
15602900063	SPRING , C020	2
15152430010	GEAR , S-S 35-28	1
15642212040	SPRING	4
14523180031	PINION , BEVEL 16T RH	1
14525070221	ARM COMP , POSITION	1
17975152010	HEAD , FILTER	1
14525180361	HOSE ASSY . HYD 690	1
16706312920	INSULATOR,SEAT PANEL	1
14522913101GB	LEVER COMP , BAR 16	2
17136250030GB	PLATE , 80X6T	2
14521040400GB	METAL , MUFFLER LH	1
17688202100	VALVE ASSY , WATER	1
19027662020	HOLDER , CUP	1
14527071570	COVER LH, RUBBER	1
36504400140	BUSH , 12X14X20	2
14526062700GB	STEP COMP , RH	1
14522160022	GEAR , SPUR 20T	1
14523020040M	METAL , PINION	1
14525070230	ARM COMP , DRAFT LEVER	1
14523270011	CAM	2
15155152901GB	PIPE COMP , FR SUCTION	1
17461040010	HOSE , RADIATOR INLET	1
18501042350	SPONGE, 295	1
V7201035025	O RING .P	17
14527081170	CLAMP,HOSE/148	1
14524043302GB	BRACKET COMP,STEERING	1
36707030080	BUSH , 20X23X20	6
14527053101	DOOR SUB , RH	1
16505245510	LINK COMP , RH TOP LINK	1
V7051400220	C-RING , HOLE	1
14661210010GB	PULLEY, COMPRESSOR	1
V2004616070	BOLT , HEX	8

PART NUMBER

DESCRIPTION

QTY for EACH TRACTOR

14521302000	BAR SET	1
V2513408020	BOLT , STUD/2	2
14523160020	SPRING , DIFF PEDAL	1
15157103802	VALVE ASSY , LOADER(DUKIN)	1
19956203013DG	COVER COMP , RH/SIDE	1
14527080051	PLATE, DRAIN	1
14527073112	HEAD_LINING	1
14523292100GB	ARM COMP,BRAKE	1
14522250022	STAY , SHIFTER/REVERSE	1
V2013608030	BOLT , HEX	4
17461040120	HOSE(RADIATOR/OUTLET)2	1
18501042370	SPONGE, 430	2
15151035000	BAND , AIRCLEANER	1
14522882200	SPRING	1
17466300030	INSULATOR, SIDECOVER(LOW)	1
V5801404015	PIN , SPRING	2
19027212300	NUT COMP , M6	2
14527073600GB	BRACKET COMP, CABLE/REVERSE	1
14527014910GB	PLATE, RR / COVER	2
14522130011	SHAFT , COUNTER MAIN	1
14522090330	BUSH , 30X35X47.4	1
14522090350	BUSH , 30X35X25.4	1
15162230010M	FORK , SHIFTER 1-2	1
14523030080	COLLAR , PINION	2
V5801406028	PIN , SPRING	1
17995040131	ROLLER	1
14525080971M	COVER , EXTERIOR HYD	1
14523100061M	METAL , BRAKE LOW LH	1
V6041106309	BEARING , BALL/HL1	2
14523100071M	METAL , BRAKE LOW RH	1
15645250010	PIN , 19X122	2
V2123606020	BOLT , HEX /SP	14
18501042360	SPONGE, 170	2
16606742301	SWITCH ASSY . LIMIT	1
14724010052	BOOT , TILT	1
14544362201	METAL ASSY , PIVOT	1
V2024612085	BOLT , HEX FINE	4
14521210023M	HUB , SLEEVE	1
K2310040070	SEAL , DUST	1
19021024300	HOSE . 530	1
V2173608055	BOLT , HEX/S	2
17461042300GB	NET COMP , RADIATOR	1
19956200012SR	FRAME COMP , HOOD	1
19956684200	HARNESS , LIGHT	1
14521050400GB	METAL , MUFFLER RH	1
14527081120	HOSE, IN / WATER VALVE	1
14527081140	HOSE, DRAIN /B	1
14527081230	HOSE ASSY, LIQ.3	1
V4111600040	WASHER , PLAIN	2
17461113500	HOSE ASSY , FUEL/RETURN	1

PART NUMBER

DESCRIPTION

QTY for EACH TRACTOR

14522010018M	CASE , FRONT	1
14522160050	BUSH,35.5X40X27.7	1
14522130040	GEAR , HELICAL 20T	1
14522130050	GEAR , HELICAL 24T	1
14522590011M	METAL SUB	1
14522590120	GUIDE	1
16702212030	PLATE ASSY	1
V5801408040	PIN , SPRING	1
14525010081M	COVER , MAIN CONTROL VALVE	1
V2173608012	BOLT , HEX/S	2
13835070210	PLATE , FRICTION	3
14525152331	HOSE ASSY , HYD 1560	2
V2003616070	BOLT , HEX	2
18027090500	BAND CLAMP 50 EMBO TYPE	5
14522882102GB	ROD ASSY , 4WD	1
19956200053GB	GRILLE , FR/PB	1
14527081130	HOSE, OUT / HEAT CORE	1
14527071562	COVER, RH , FENDER	1
14521333501	ROD SUB,BRAKE	2
14521333702	ROD COMP.R	2
14521160090	BOOT , BRAKE ROD	2
17467081250	HOSE, ENGINE/OUT	1
V5901012150	WIRE , STEEL	1
V2513414040	BOLT , STUD/2	5
14523030110	SHAFT , DIFF PINION	1
14523180061	PINION , BEVEL 16T LH	1
15685100020GB	SPRING , HC 067	1
17461040111	HOSE(RADIATOR/OUTLET)	1
19956202013DG	COVER COMP , LH/SIDE	1
14527082311	BRACKET, WATER VALVE	1
V1222605025	SCREW , C/R PAN/SP	2
14527081881	SPRING , HOSE	2
17461113201	HOSE ASSY , FUEL/FILTER	1
15263202041	NUT	12
17484072801	HOSE ASSY , HYD 560	1
17484052800	HOSE ASSY, HYD 820	1
16704332101	METAL ASSY , PIVOT	1
14522180021	COLLAR,(35X55X22)	1
15162080060	GEAR , HELICAL 38T	1
14523102100	PIN COMP , BRAKE	2
15602230074	GUIDE	1
14523033400	SLEEVE COMP	1
V2113606050	BOLT , HEX/S	3
17995020030	PLATE	1
V2013608050	BOLT , HEX	1
17995060061	LINK	2
14525070141	PLATE , DRAFTER	1
17685162202	HOSE ASSY , HYD 530	1
17461034200	HOSE IN(AIR CLEANER)	1
17461034100	HOSE IN A (IN/AIR)	1

PART NUMBER

DESCRIPTION

QTY for EACH TRACTOR

17686250032GB	PLATE	2
V2013608065	BOLT , HEX	1
19027620031	HOSE , DRAIN(2200)	2
17467081181	HOSE, ENGINE/IN	1
V2013608060	BOLT , HEX	1
17484072501	HOSE ASSY, HYD 970	1
14526300011	BOOT,STEERING/HOSE	1
14526300210	BOOT,CLUTCH PEDAL	1
14523292201GB	PEDAL COMP,LH/BRAKE	1
14523292300GB	PEDAL COMP , RH BRAKE	1
14527053710	LOCK ASSY, RH/DOOR	1
17686642400	PACKING , RUBBER	1
17461113400	FUEL HOSE , INJ PUMP	1
17461024301	FUEL HOSE , FEED PUMP	1
V2183608040	BOLT , HEX/SP	1
14522070112	SHAFT , INPUT PTO	1
15162090340	BUSH , 30X35X26.3	1
14522200050	COUPLING , 36X62	1
15684342021	BUSH , 55X60X40	1
14523100011M	METAL , BRAKE UPR LH	1
14523100021M	METAL , BRAKE UPR RH	1
17995220990	RUBBER , GUIDE	1
19027612020	PIN , M8	1
19956524200	HEAD LAMP , FIX(RH)COMP	1
14041200080	RETURN SPRING , CLUTCH	3
17687011250	INSULATOR , RR LOW	1
17461000060	SPACER , FAN	1
14522170014	SHAFT , INPUT DRIVE	1
15602230124	PIN , 10X28	1
16701015001	PLUG ASSY , DRAIN (MAGNET)	1
17995030050M	PISTON , HYD	1
17995060150	SPRING	1
17407362300	ELBOW , PF3/8 PF1/2	4
16991160011	BOOT , ACCELERATOR PEDAL	1
12146020650	CABLE ASSY , HOOD	1
V1122606025	SCREW , C/R FLAT	4
14527092251	COLLER , SPACE	2
14166300100	CONTROLLER ASSY	1
19027312131	ROCKER SWITCH CAP	2
15155244300	HANDLE	1
14522230053	STAY , SHIFTER 3-4	1
14522210052	SHAFT , INTERMEDIATE	1
15642750070	WASHER , 27X40X2	1
17995031500	PIN COMP , HYD	1
34522153200	SWITCH	1
16736300010	BOOT , SLOW RETURN	1
19027552031	PEDAL , ACCEL	1
19997071110	MAT	1
19992160040	WASHER , 30X46X3.3	1
15162300011M	CASE , SPACE	1

PART NUMBER DESCRIPTION QTY for EACH TRACTOR

V7801000002	PLUG , HEX-SOCKET	2
14522730010	SHAFT, OUTPUT PTO	1
17995020011M	BAR	1
V7041400480	C-RING , SHAFT	2
15185222000GB	BRACKET COMP	1
13613202100	BRAKE , HAND	1
15111053200DD	COVER , EXHAUST PIPE	1
14523102301GB	ARM COMP , BRAKE LH	1
14523102401GB	ARM COMP , BRAKE RH	1
19956524100	HEAD LAMP , FIX(LH)COMP	1
19957022201	DAMPER ASSY,HOOD	2
14528302850	RESISTOR ASSY	2
V1902604008	SCREW , TAPPING C/R PAN	2
14527093201GB	LEVER COMP,AUX/A	1
14521114101GB	SUPPORT , FR	1
15155244100	LIFT SUB , UPR	1
V2523614030	BOLT , STUD/3	2
17461032300	SPACER	1
15162210020	GEAR , SPUR 24T IDLE REVERSE	1
14052308700	LINK , SUB	1
15642230043M	LINK	1
15612230027M	METAL , MAIN	1
17972210071	HUB , OUT	1
14523030010M	CASE , DIFF	1
17995041200	SHAFT COMP , DRAFT	1
16735061400	ROD , A	1
V6812000010	BALL , STEEL	1
15175202003GB	BRACKET COMP , SWING DRAW BAR	1
15185200500	BRACKET ASSY	1
19956300022	INSULATOR , FRONT GRILLE	2
19956200070	INSULATOR , (UNDER, FR)	1
17464103100GB	PLATE COMP, LOW	1
10547024801	BLUETOOTH PLAYER ASSY	1
17467632620	PLATE , SPACER	1
17409209010	LABEL , OPERATION/DPF REGEN SW	1
19027033140	MOTOR(12V)	2
17466682206	HARNESS ASSY , ENGINE	1
14521114200GB	SUPPORT , RR	1
17461024201	FUEL HOSE	1
17461113600	RETURN HOSE, MAIN FILTER	1
11377011100GB	BRACKET COMP,TOOLBOX	1
15155244200	SLEEVE	1
36502010060	PROTECTOR , EDGE	3
17995040121	SPRING	1
17995061300	ARM , COMP , IN , LINK	1
14521220120	PEDAL COMP,ACCEL	1
15536252201GB	BRACKET COMP , FR/LH MOUNTING	1
V1112604012	SCREW , C/R PAN	2
17467552300	ARM SHAFT COMP	1
14724042401GB	LEVER COMP , TILT	1

PART NUMBER

DESCRIPTION

QTY for EACH TRACTOR

16994012020	COVER , STEERING	1
17461032200GB	ALTERNATOR PLATE	1
15162090010	GEAR , HELICAL 42T	1
17995030070	BUSH	1
15189030070	LABEL , PORT	1
16735222102GB	LINK COMP	1
17686300530	INSULATOR , REVERSE	1
16998201771	INSULATOR , SUCTION	1
17484072600	HOSE ASSY, HYD 1130	1
14529201120	LABEL , REVERSE	1
15184073200GB	TOWING HOOK COMP	1
V2183608055	BOLT , HEX/SP	1
14052308800	LINK , SUB	1
V2513414080	BOLT , STUD/2	2
14523030131M	METAL , DIFF CASE LH	1
14522730032	GEAR , HELICAL 58T	1
15182750200	ARM SET , PTO	1
14522750032M	FORK , SHIFTER 1	1
17995040011	CLEVIS COMP	1
V2173610065	BOLT , HEX/S	1
V3343600140	NUT , HEX FINE/2	1
18508304200GB	NET COMP , CONDENSER	1
V2174610050	BOLT , HEX/S	2
V2013608095	BOLT , HEX	2
12135110050	GRIP , ORANGE	1
16997030010	VALVE , WASHER CHECK	2
18017015501GB	BRACKET COMP , NUMBER PLATE	1
15904370010	TUBE , 9.5-16	2
V2173608040	BOLT , HEX/S	1
16735100020	ADAPTER . PF1/2	1
15642230033M	LINK	1
V2513414035	BOLT , STUD/2	1
15182700020	GEAR , HELICAL 12-20	1
15182730080	SPACER	1
15182730020	GEAR , HELICAL 50T	1
15642730072	BUSH , 35X40X37	1
14523402200	SHAFT ASSY ,HAND BRAKE	1
14522750011	STAY , SHIFTER PTO	1
V7801000004	PLUG , HEX-SOCKET	4
17995041100	LINK COMP , VALVE	1
17995041400	ARM , COMP , LINK	1
17995040150	LINK , CRANK LIFT	2
17995040160	PIN , LINK	1
17995050030	GUIDE OIL	1
17995060050	LINK COMP , B	2
17995060120	ARM , OUT , LINK	1
17995070140	PLATE , C	1
17995070150	BOLT , SUPPORT	1
17995070340	BOLT , SUPPORT	1
15423040030	GAUGE , OIL	1

PART NUMBER

DESCRIPTION

QTY for EACH TRACTOR

13667012020	WASHER	1
14523402001	ROD ASSY, HANDBRAKE	2
17461054200DD	PIPE COMP , EXHAUST	1
14522852100GB	LEVER COMP , BAR 12	1
14522882140	ROD , UPPER	1
14526252300GB	BRACKET COMP , FR RH MOUNTING	1
17466022100	BRACKET COMP , HOOD LOCK	1
12136503001	HARNESS	1
14524073502	HOSE ASSY, HYD1350/T	1
13746462600	SWITCH ASSY , PTO MODE	1
12149020110	LABEL , EMERGENCY EXIT	1
12519100140	LABEL , JACK POINT	1
12427062101GB	BRACKET , WASHER TANK	1
15829040220	LABEL , MODEL/EU	1

FIG 100 T555STGBC	ENGINE	년/월 Year/Month
		2022-12
NOTE		

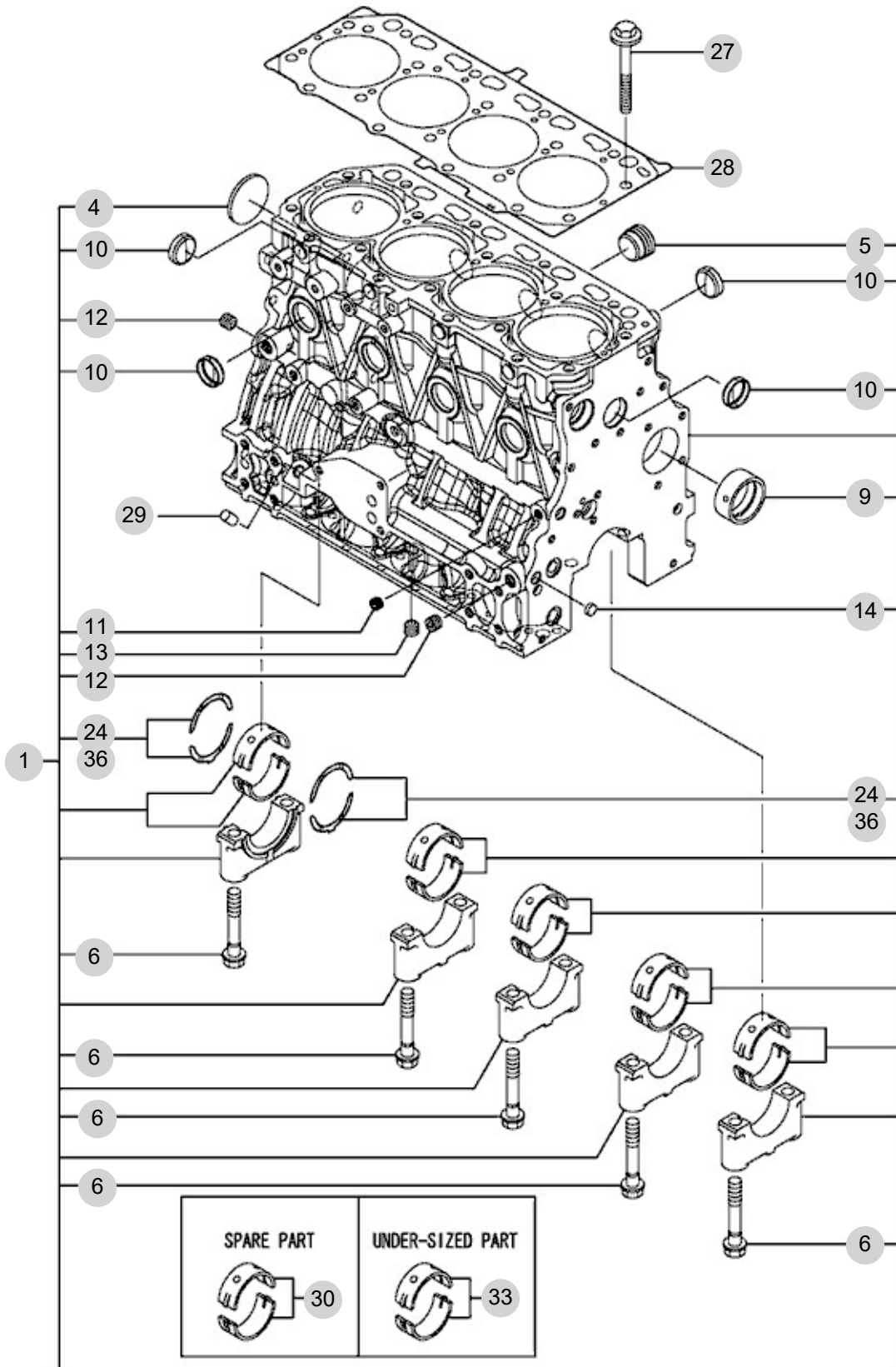
FIG 101A

CYLINDER BLOCK (T554)

년/월
Year/Month

2022-12

T555STGBC



NOTE

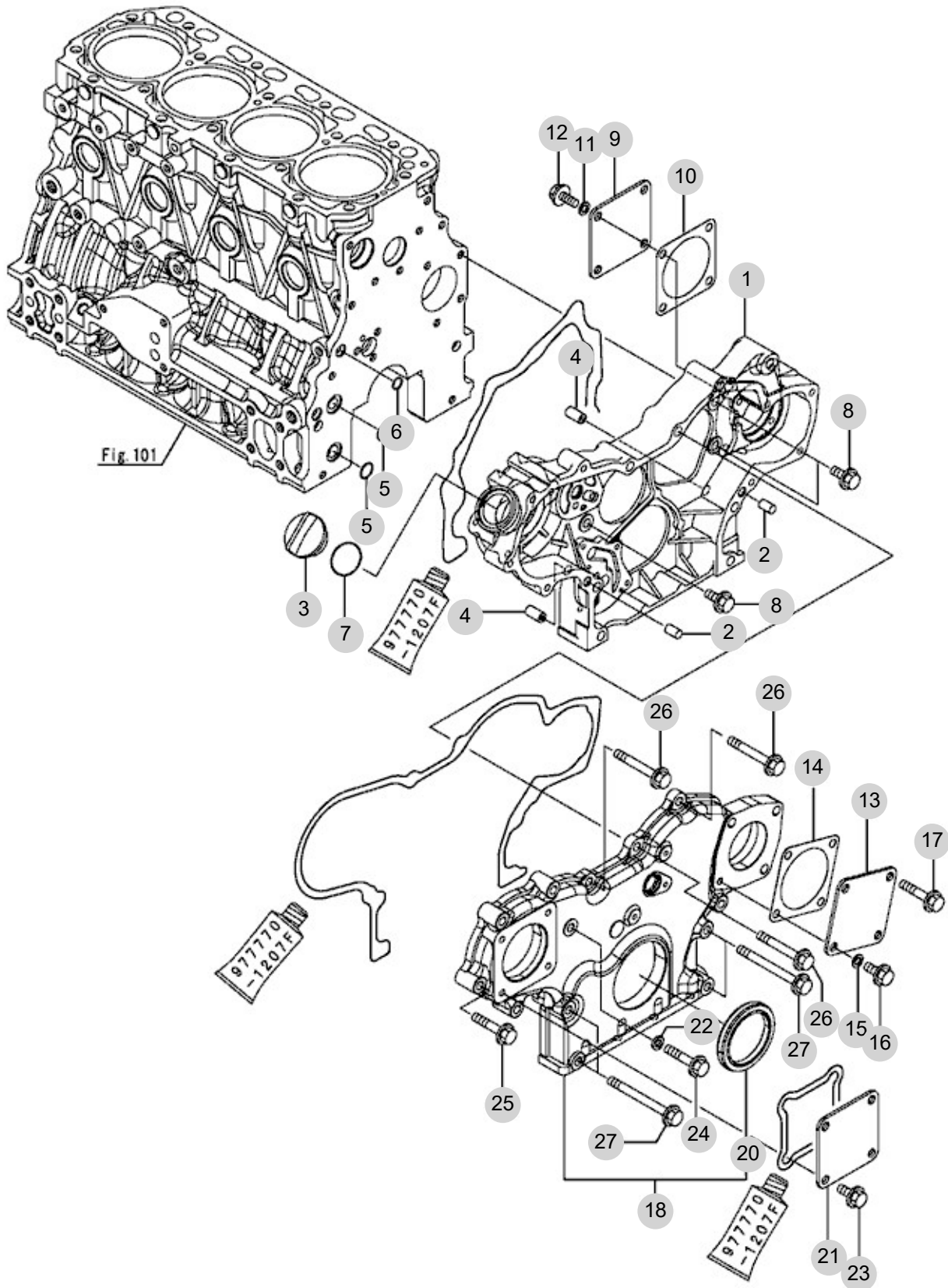
FIG 102

GEAR HOUSING

년/월
Year/Month

2022-12

T555STGBC



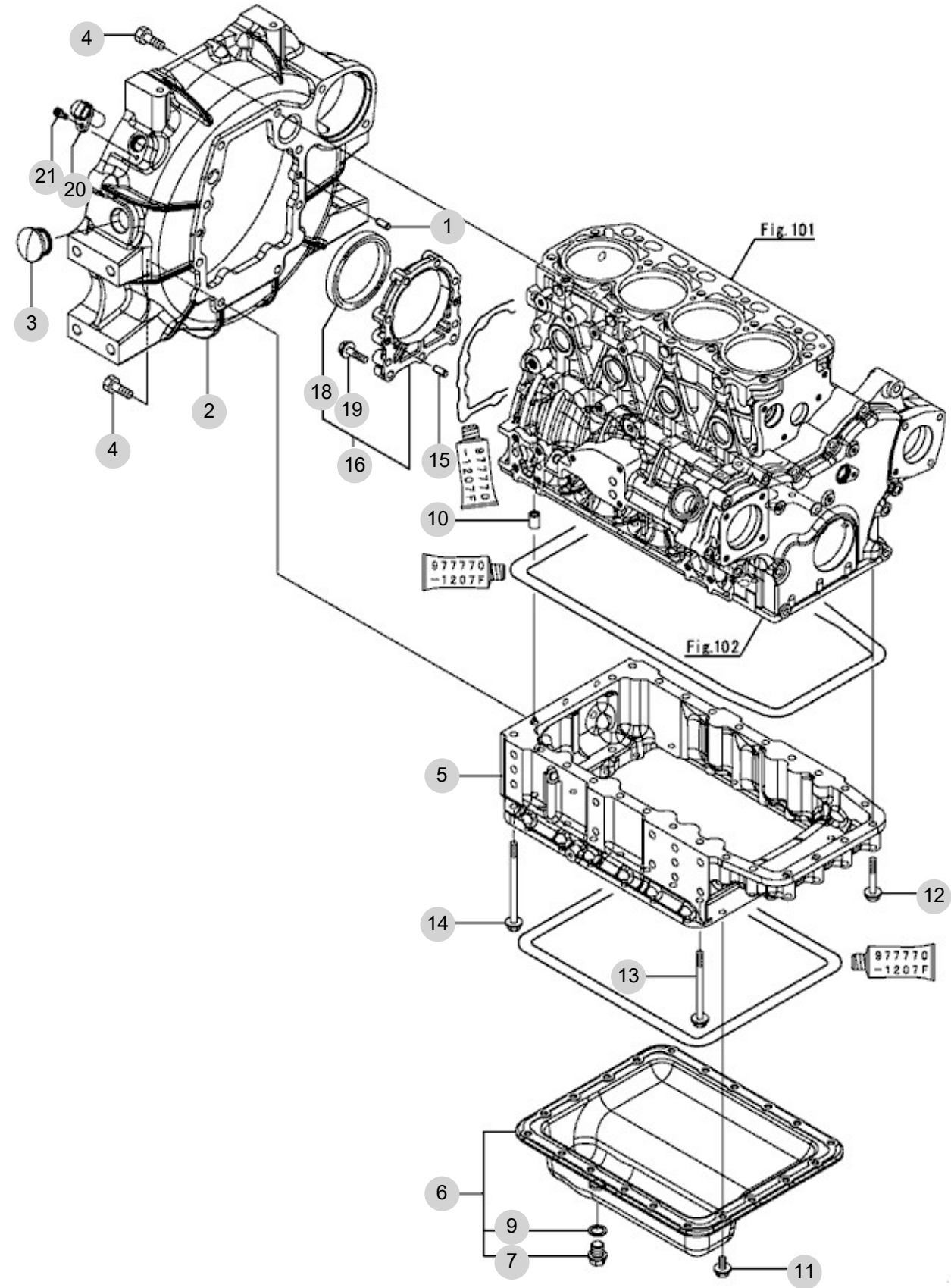
NOTE

FIG 103

FLYWHEEL HOUSING & OIL SUMP

년/월
Year/Month

2022-12



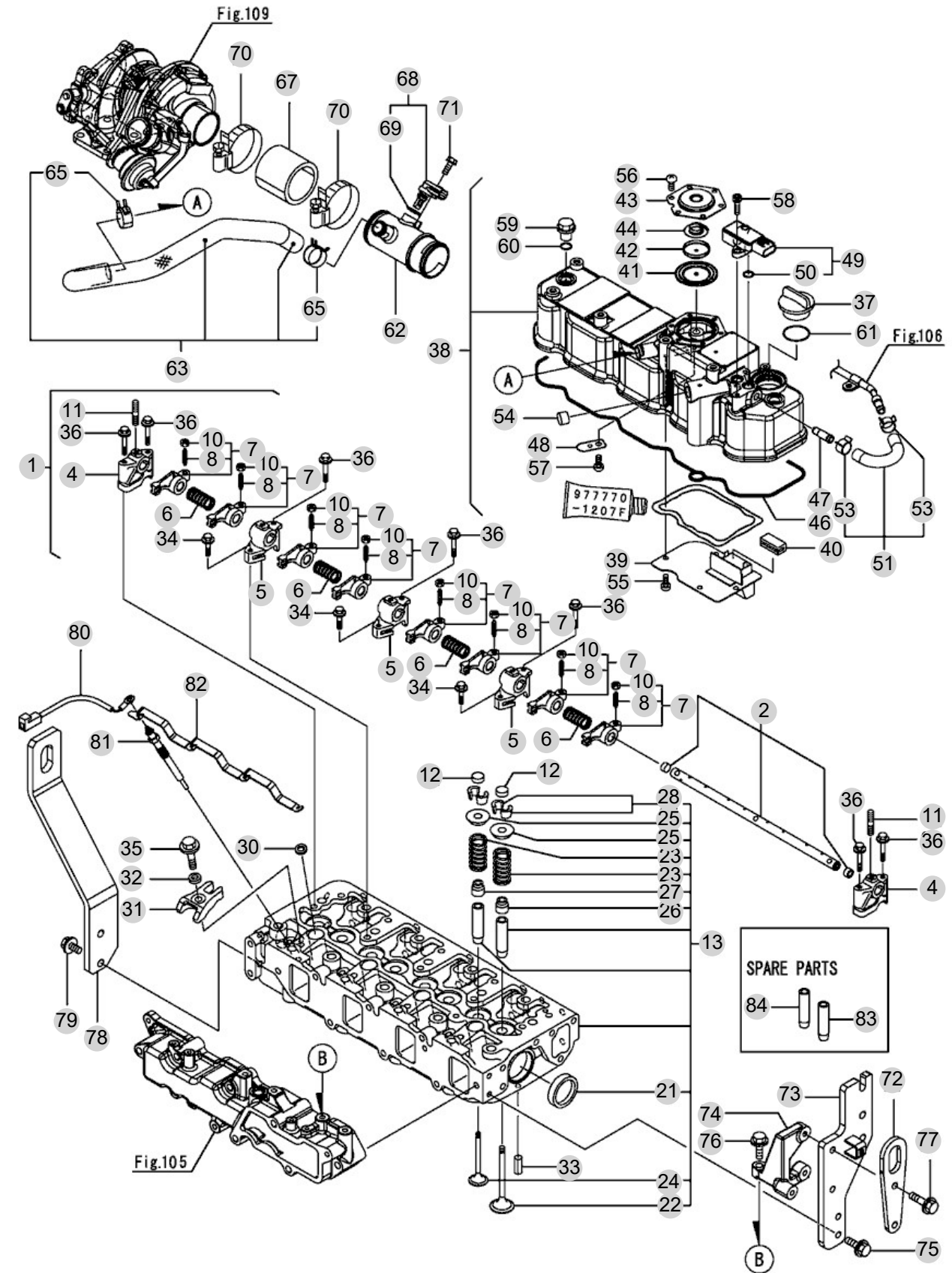
NOTE

FIG 104A

CYLINDER HEAD & BONNET (T554)

년/월
Year/Month

2022-12



NOTE

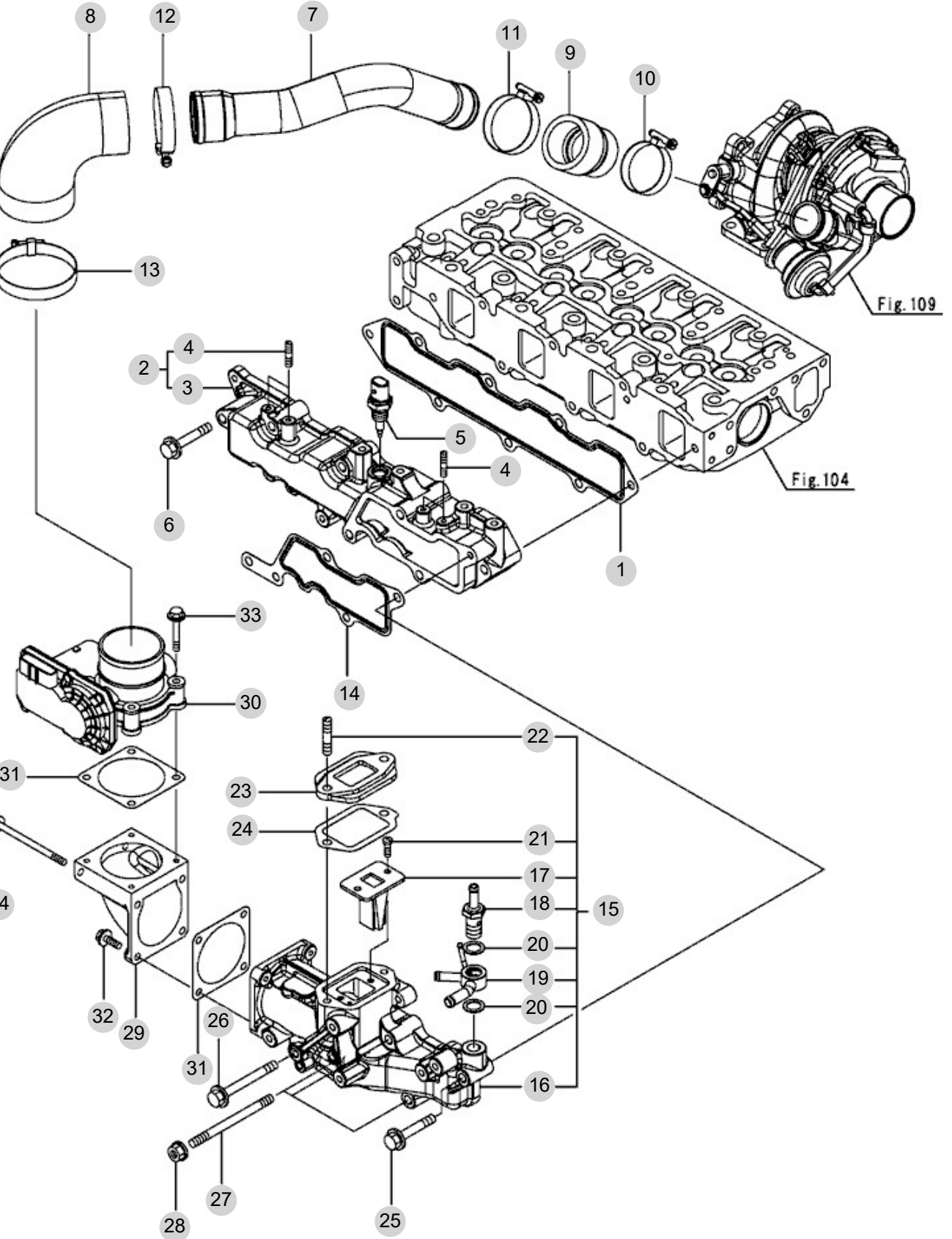
FIG 104A		CYLINDER HEAD & BONNET (T554)					년/월 Year/Month		
							2022-12		
T555STGBC		KEY NO	PART NO	DESCRIPTION	SPEC	QTY	REPAIR	EFFECTIVE DATE	REMARKS
104A	1	129601-11241	SHAFT ASSY, ROCKER			1			
104A	2	129601-11251	SHAFT, ROCKER ARM			1			
104A	4	119802-11260	SUPPORT, ?ROCKER?ARM			2			
104A	5	119802-11270	SUPPORT, ROCKER ARM			3			
104A	6	129150-11280	SPRING			4			
104A	7	129004-11650	ARM, ?ROCKER			8			
104A	8	129150-11230	SCREW, VALVE ADJUST			8			
104A	10	129150-11750	NUT, M8			8			
104A	11	26226-080182	STUD, ?M8X18			3			
104A	12	129150-11370	CAP, VALVE			8			
104A	13	129C01-11700	HEAD ASSY, CYLINDER			1			
104A	21	27241-400000	PLUG, ?40			2			
104A	22	129005-11100	VALVE, INTAKE			4			
104A	23	129795-11120	SPRING, VALVE			8			
104A	24	129100-11130	VALVE, ?EXHAUST			4			
104A	25	129795-11180	RETAINER, SPRING			8			
104A	26	124460-11340	SEAL, VALVE STEM			4			
104A	27	129A00-11340	SEAL, ?VALVE?STEM			4			
104A	28	27310-080001	COTTER, 8			8			
104A	30	129978-11871	GASKET, INJECTOR			4			
104A	31	129A00-11900	RETAINER, ?INJECTOR			4			
104A	32	120270-54410	WASHER, INJECTOR			4			
104A	33	22351-060012	스프링핀			2			
104A	34	26106-080252	육각플랜지볼트			3			
104A	35	26106-080352	육각플랜지볼트			4			
104A	36	26106-080502	BOLT, M8X50 PLATED			7			
104A	37	124160-01751	COVER, ?FILLER			1			
104A	38	129C01-11351	BONNET ASSY			1			
104A	39	129004-03010	PLATE			1			
104A	40	129150-03070	BAFFLE, ?BREATHER			1			
104A	41	123907-03100	DIAPHRAGM			1			
104A	42	123907-03110	PLATE			1			
104A	43	123907-03120	PLATE, ?BREATHER			1			
104A	44	123907-03140	SPRING, DIAPHRAGM			1			
104A	46	129C00-11310	GASKET, COVER			1			
104A	47	129A00-11330	JOINT			1			
104A	48	129009-11340	SPRING			1			
104A	49	129A00-12703	SENSOR, PRESSURE			1			
104A	50	129A00-12780	O-RING, PRES?SENSOR			2			
104A	51	129A00-13360	HOSE ASSY, PRES EXH			1			
104A	53	129A00-13380	CLIP, HOSE 14			2			
104A	54	119640-61400	PLUG			1			
104A	55	22857-500100	SCREW, 5X10			4			
104A	56	22857-500100	SCREW, 5X10			6			
104A	57	22857-500100	SCREW, ?5X10			1			
NOTE									

FIG 105A

SUCTION MANIFOLD (T554)

년/월
Year/Month

2022-12



NOTE

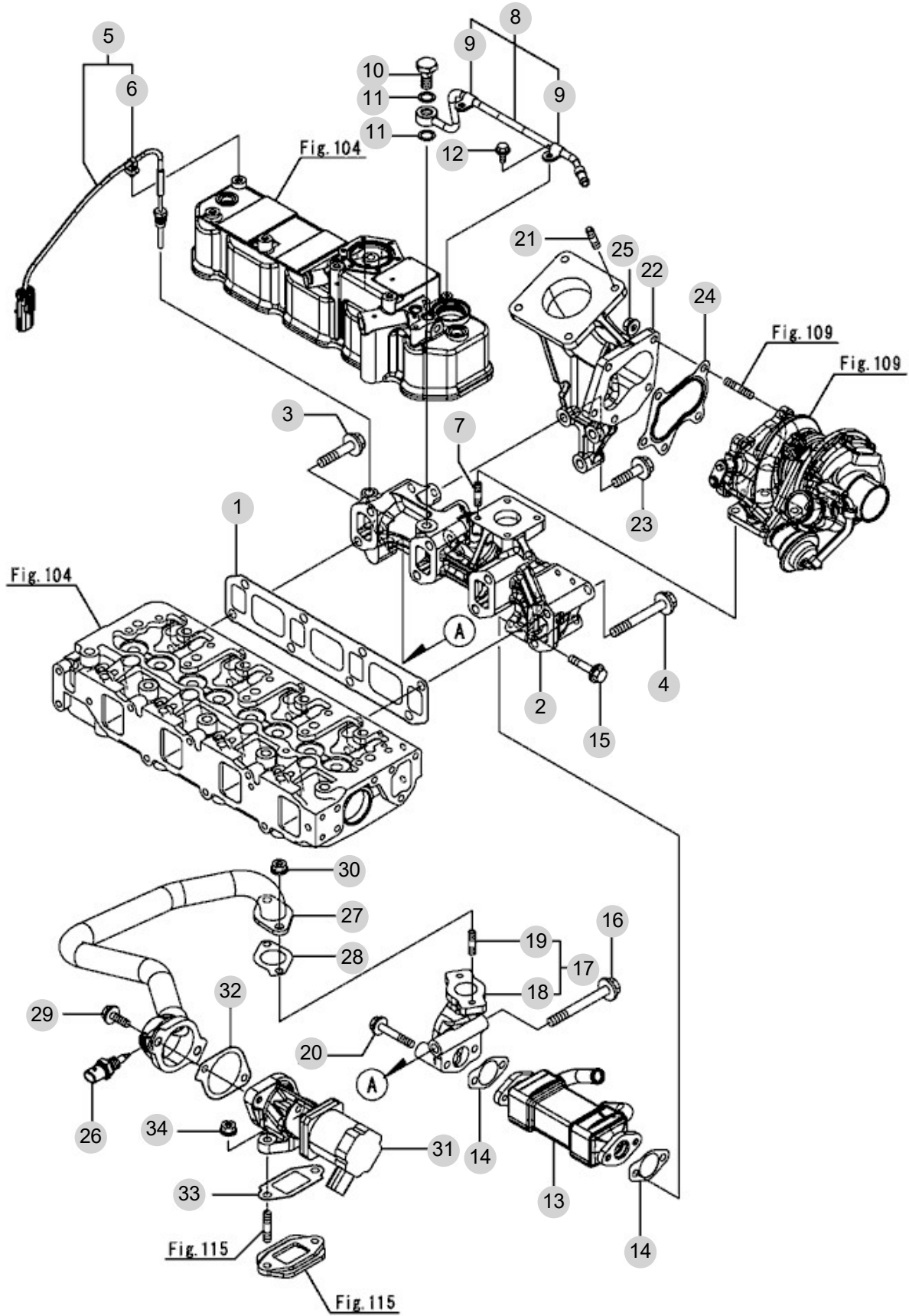
FIG 106A

EXHAUST MANIFOLD (T554)

년/월
Year/Month

2022-12

T555STGBC



NOTE

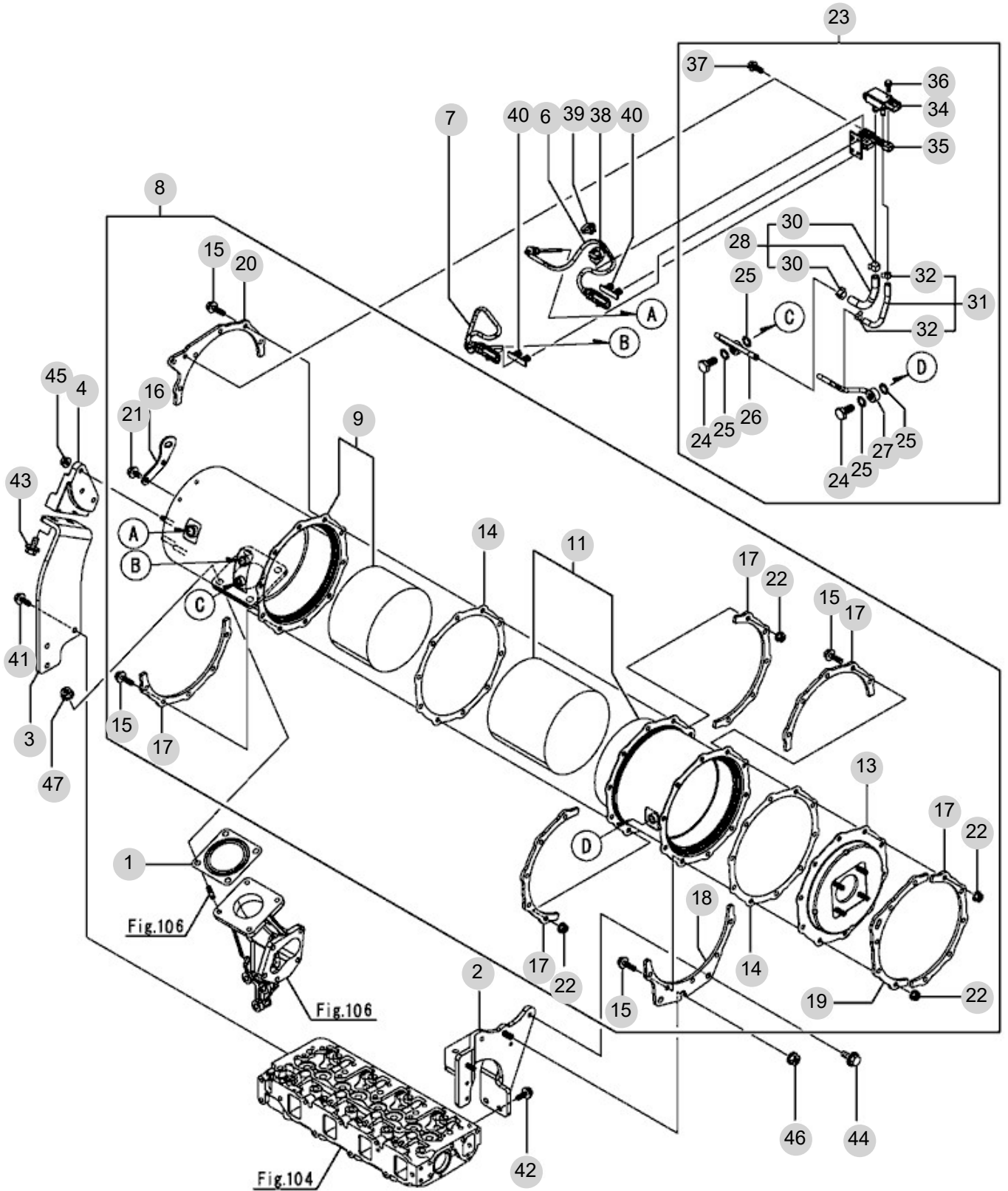
FIG 107A

T555STGBC

DIESEL PARTICULATE FILTER (T554)

년/월
Year/Month

2022-12



NOTE

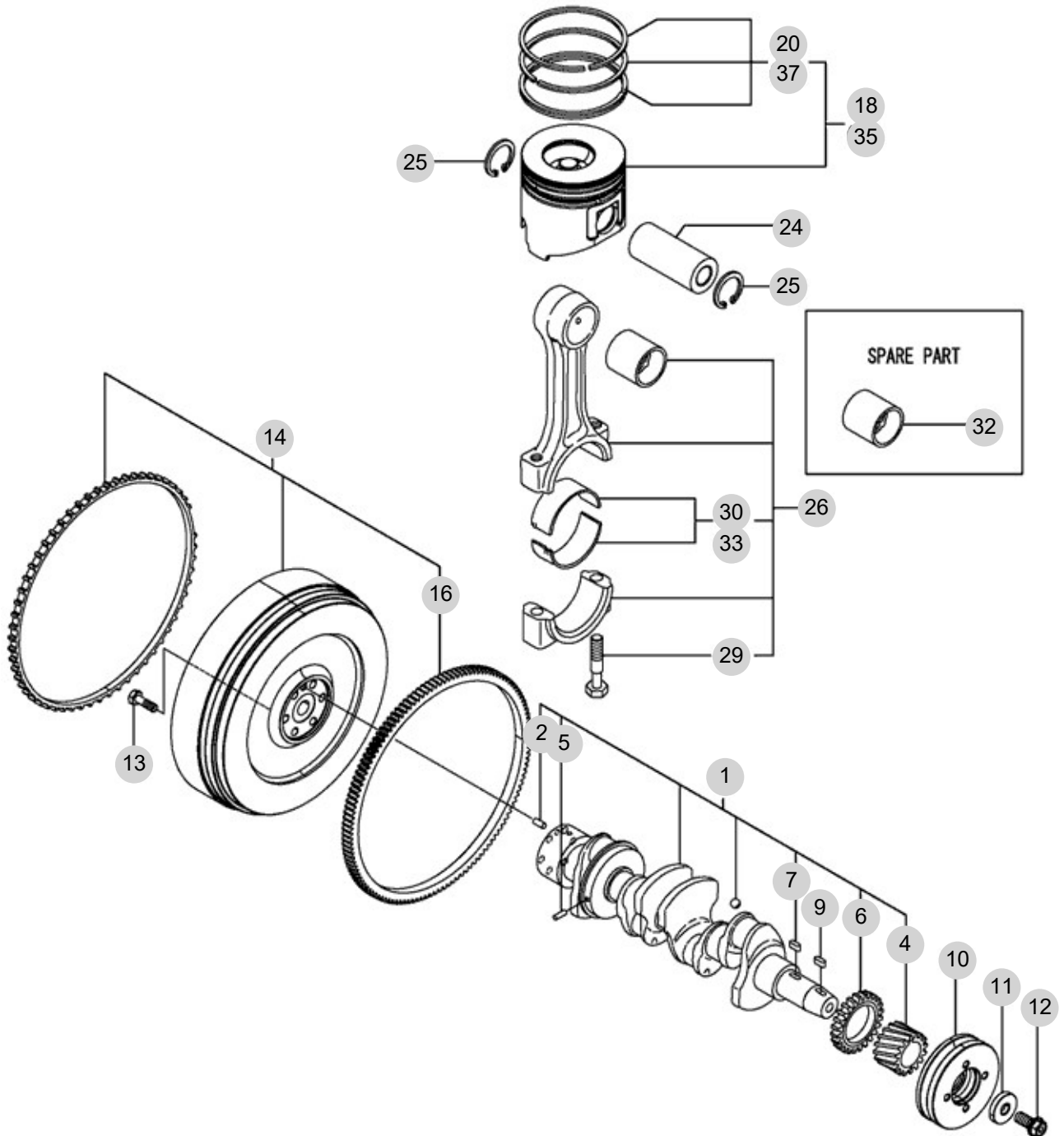
FIG 110A

T555STGBC

CRANKSHAFT & PISTON (T554)

년/월
Year/Month

2022-12



NOTE

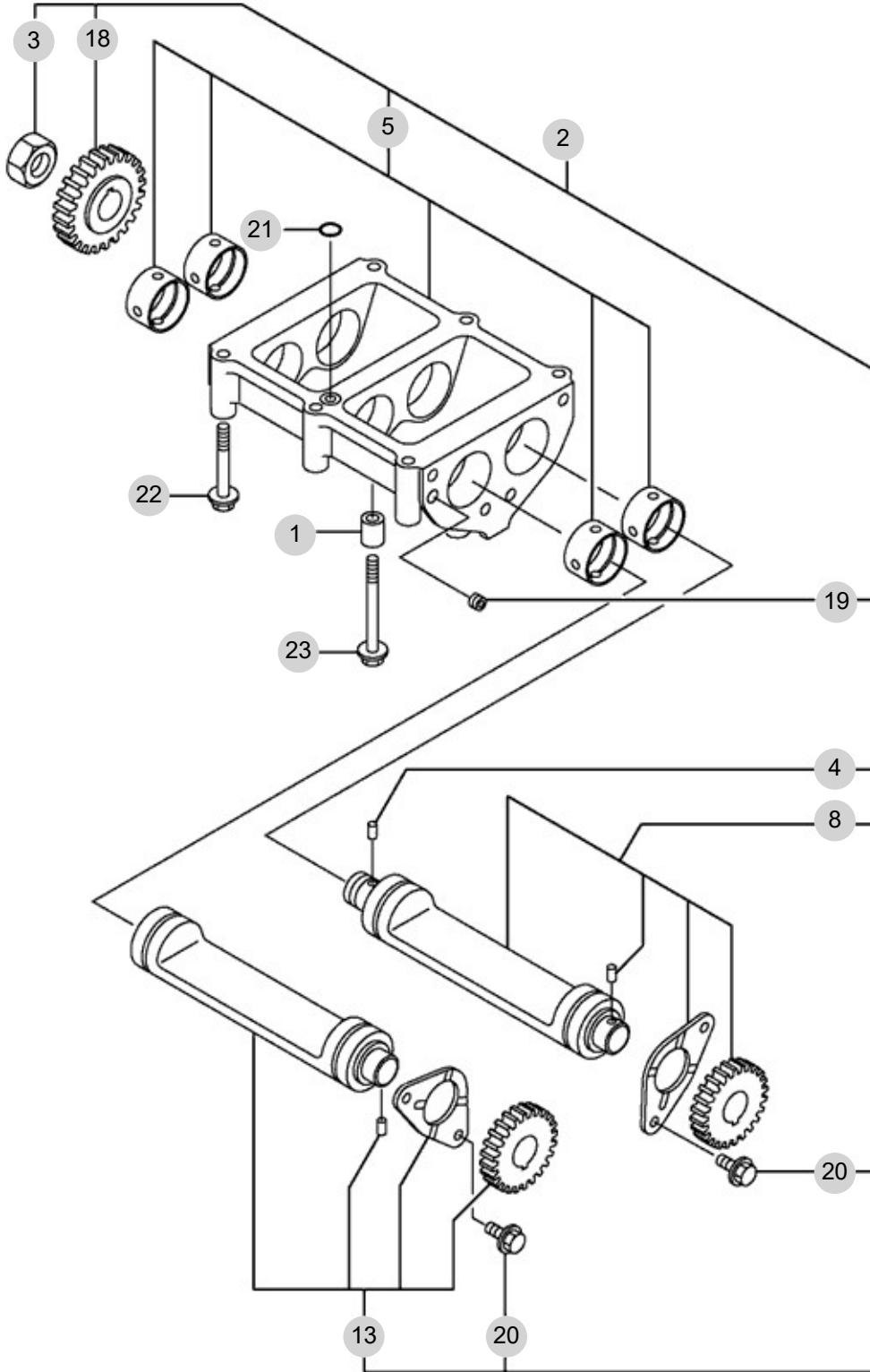
FIG 111

BALANCER

년/월
Year/Month

2022-12

T555STGBC



NOTE

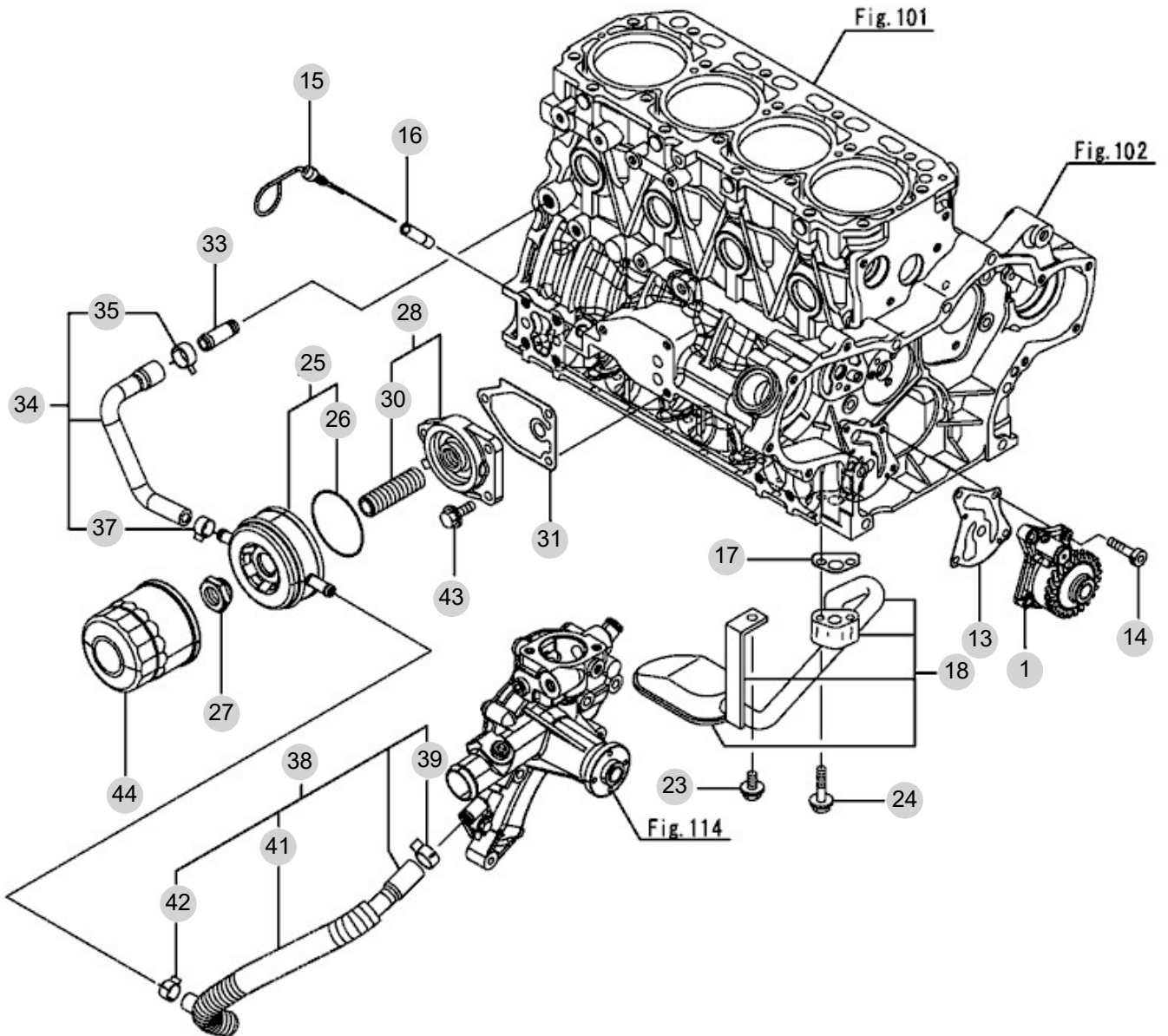
FIG 112A

T555STGBC

LUB. OIL SYSTEM (T554)

년/월
Year/Month

2022-12



NOTE

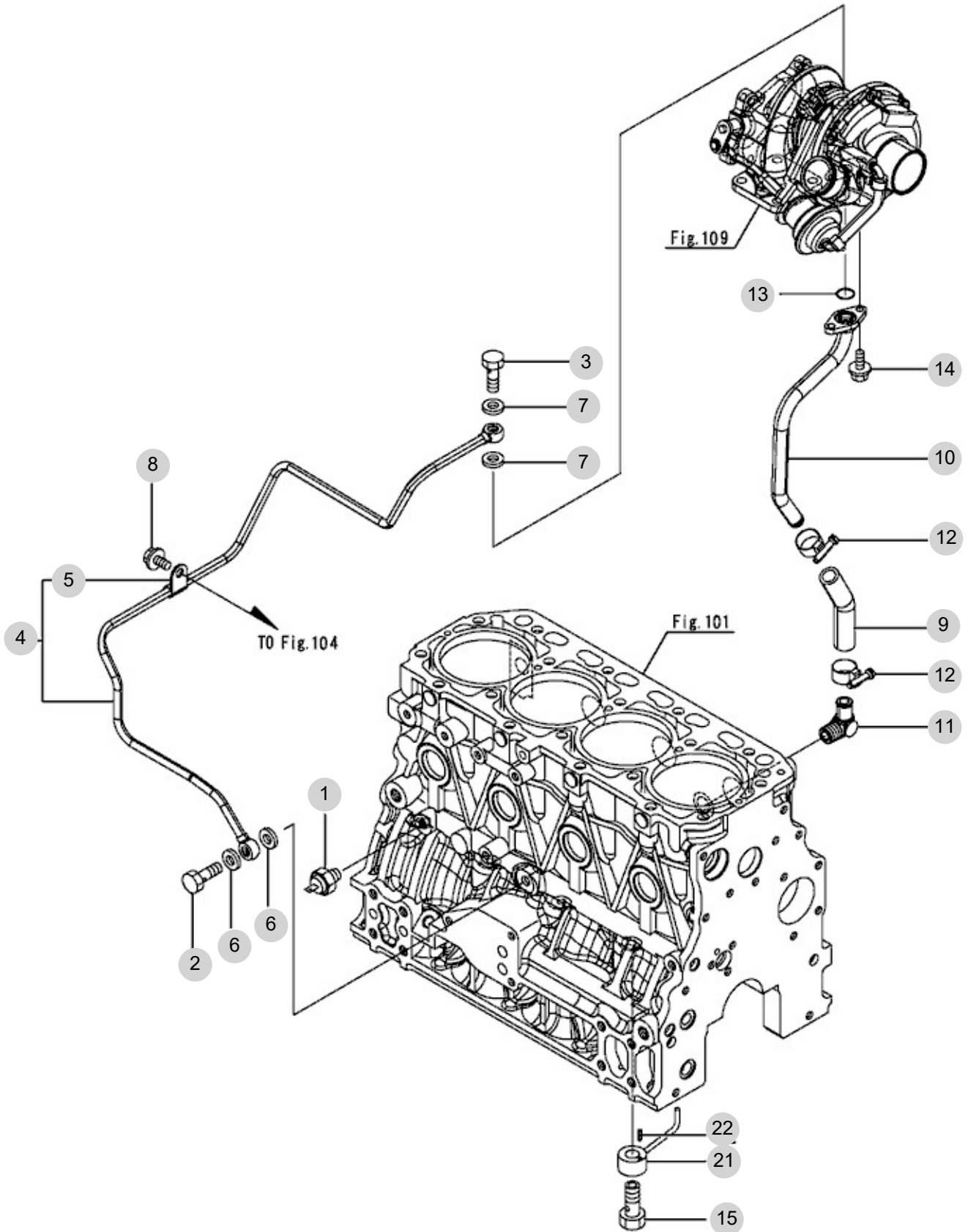
FIG 113

T555STGBC

LUB. OIL LINE (T554)

년/월
Year/Month

2022-12



NOTE

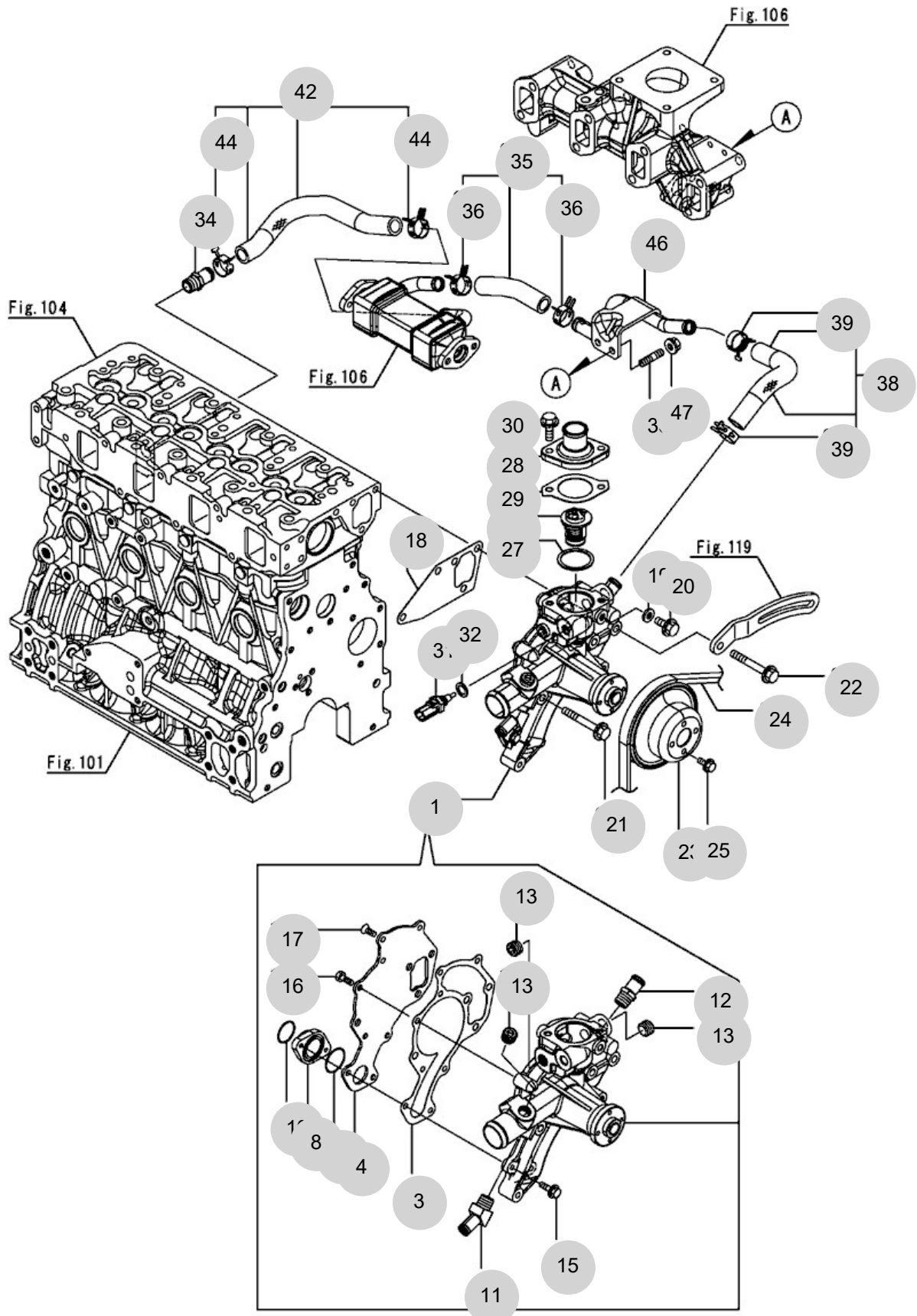
FIG 114

COOLING WATER SYSTEM

년/월
Year/Month

2022-12

T555STGBC



NOTE

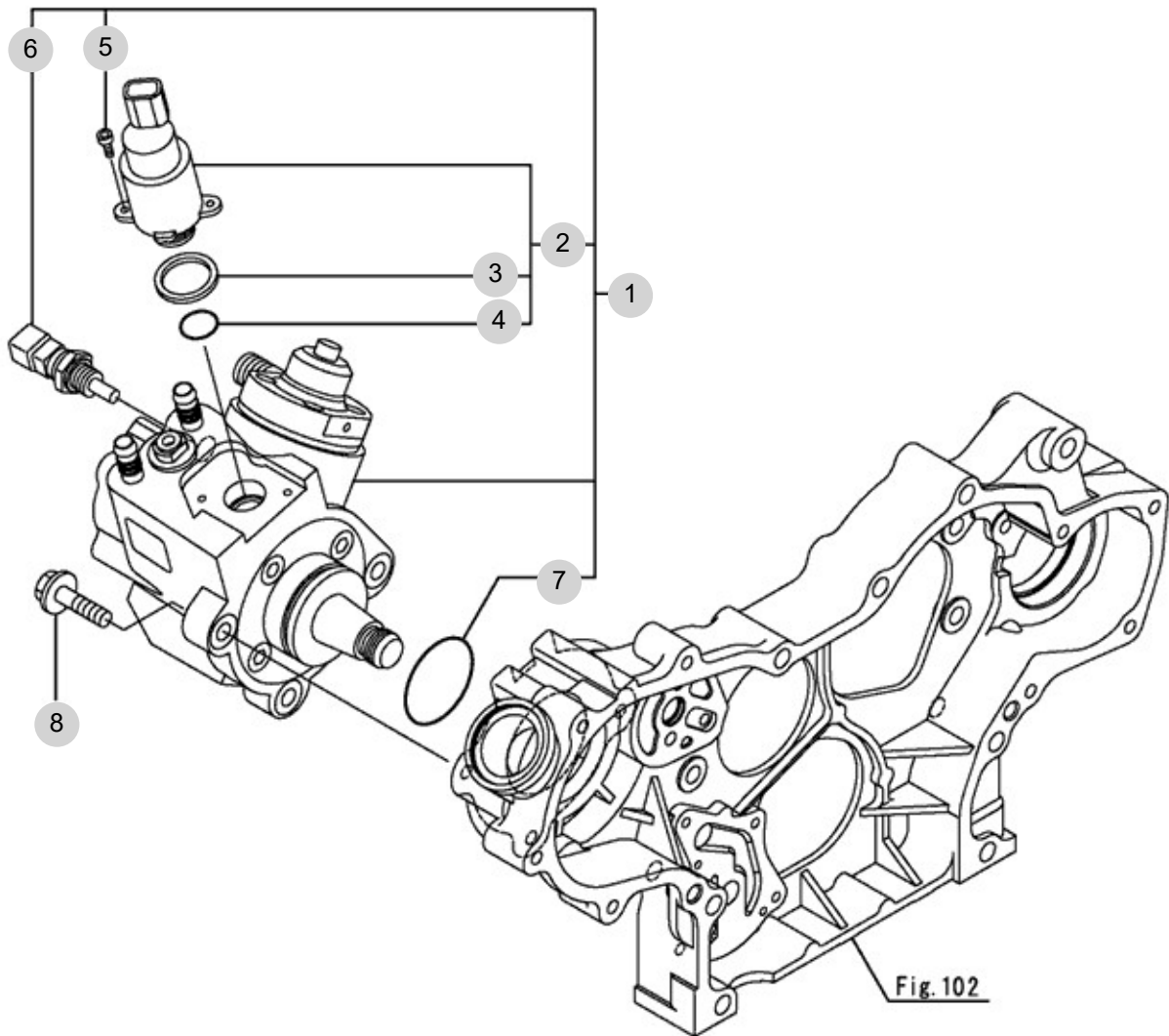
FIG 115

T555STGBC

FUEL SUPPLY PUMP

년/월
Year/Month

2022-12



NOTE

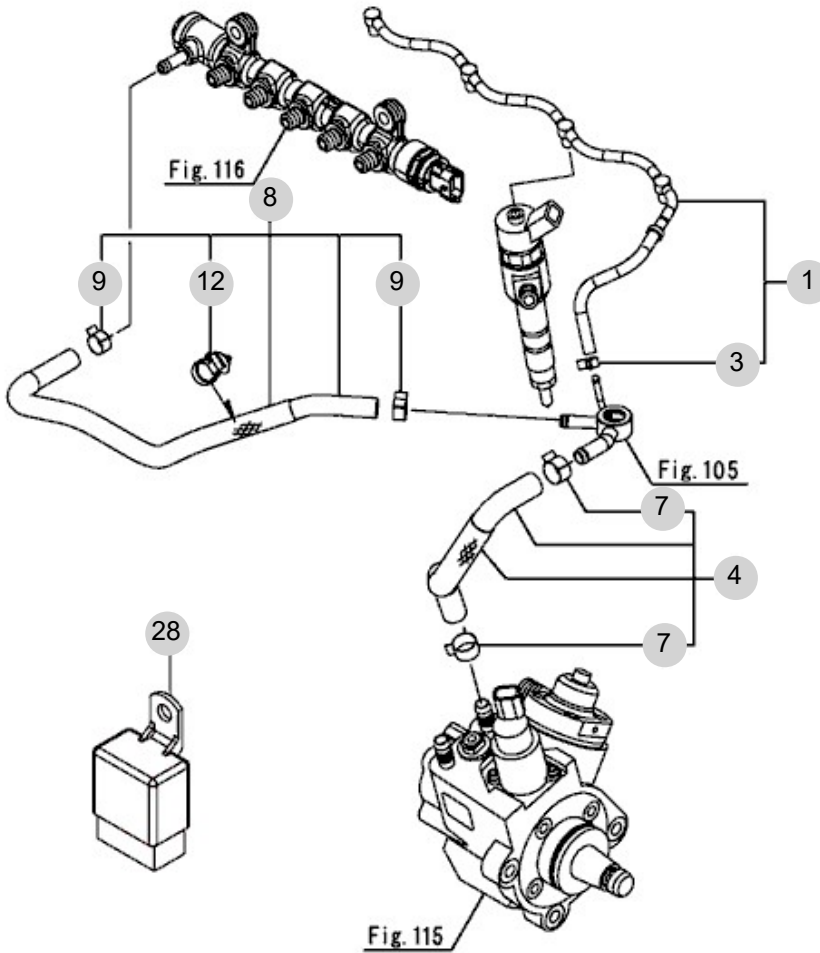
FIG 117

T555STGBC

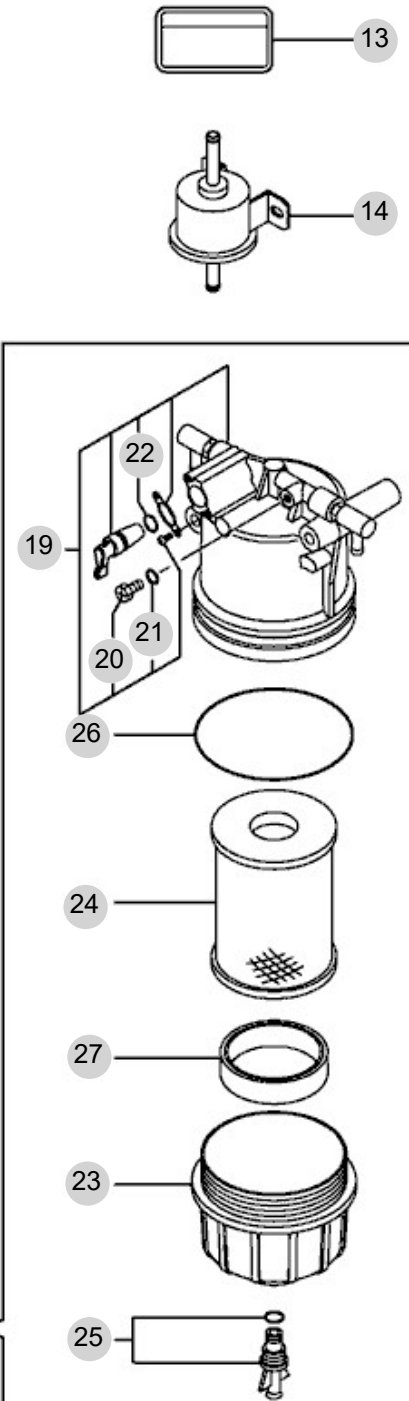
FUEL LINE

년/월
Year/Month

2022-12



LOOSE PARTS



NOTE

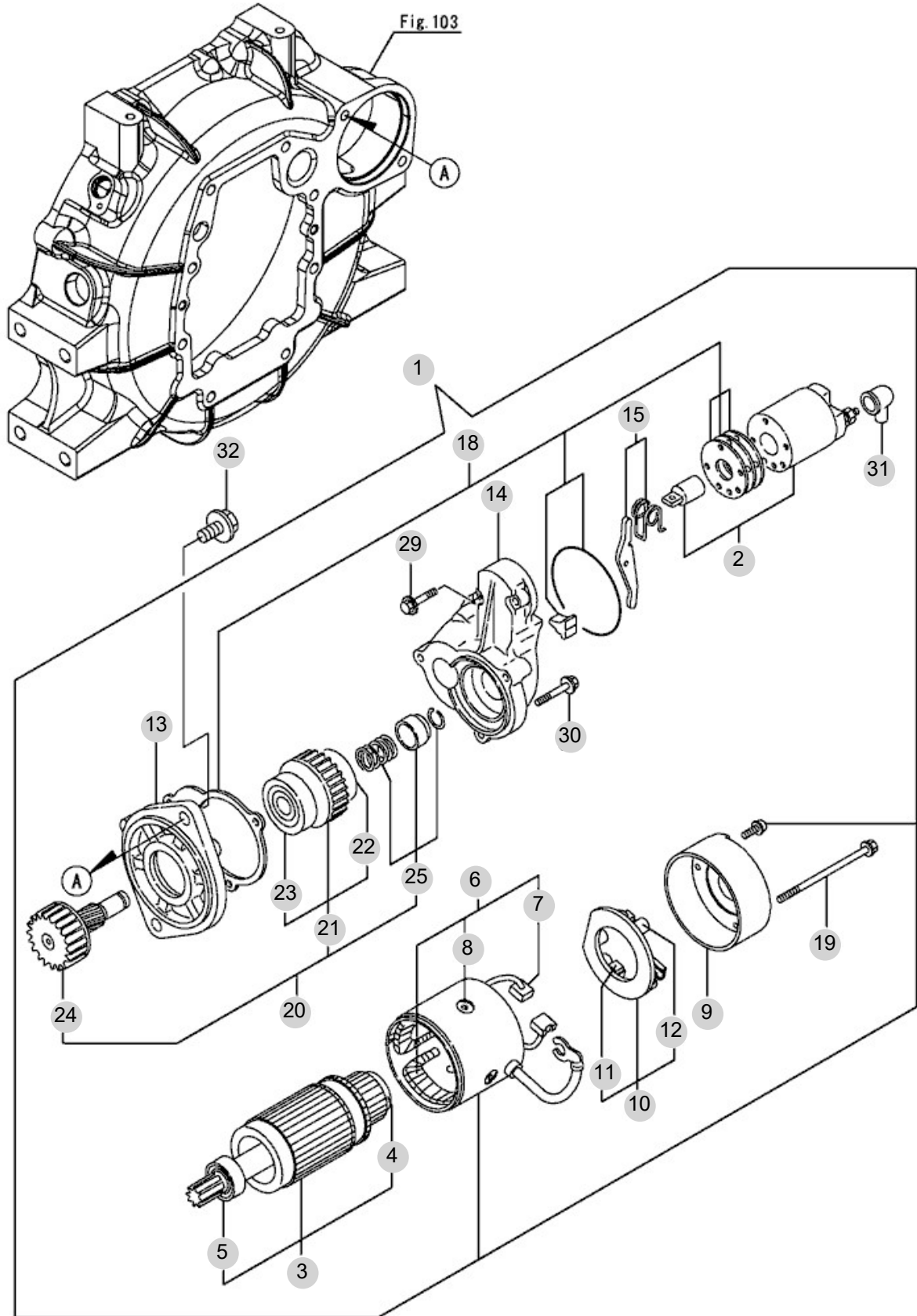
FIG 118

STARTING MOTOR

년/월
Year/Month

2022-12

T555STGBC



NOTE

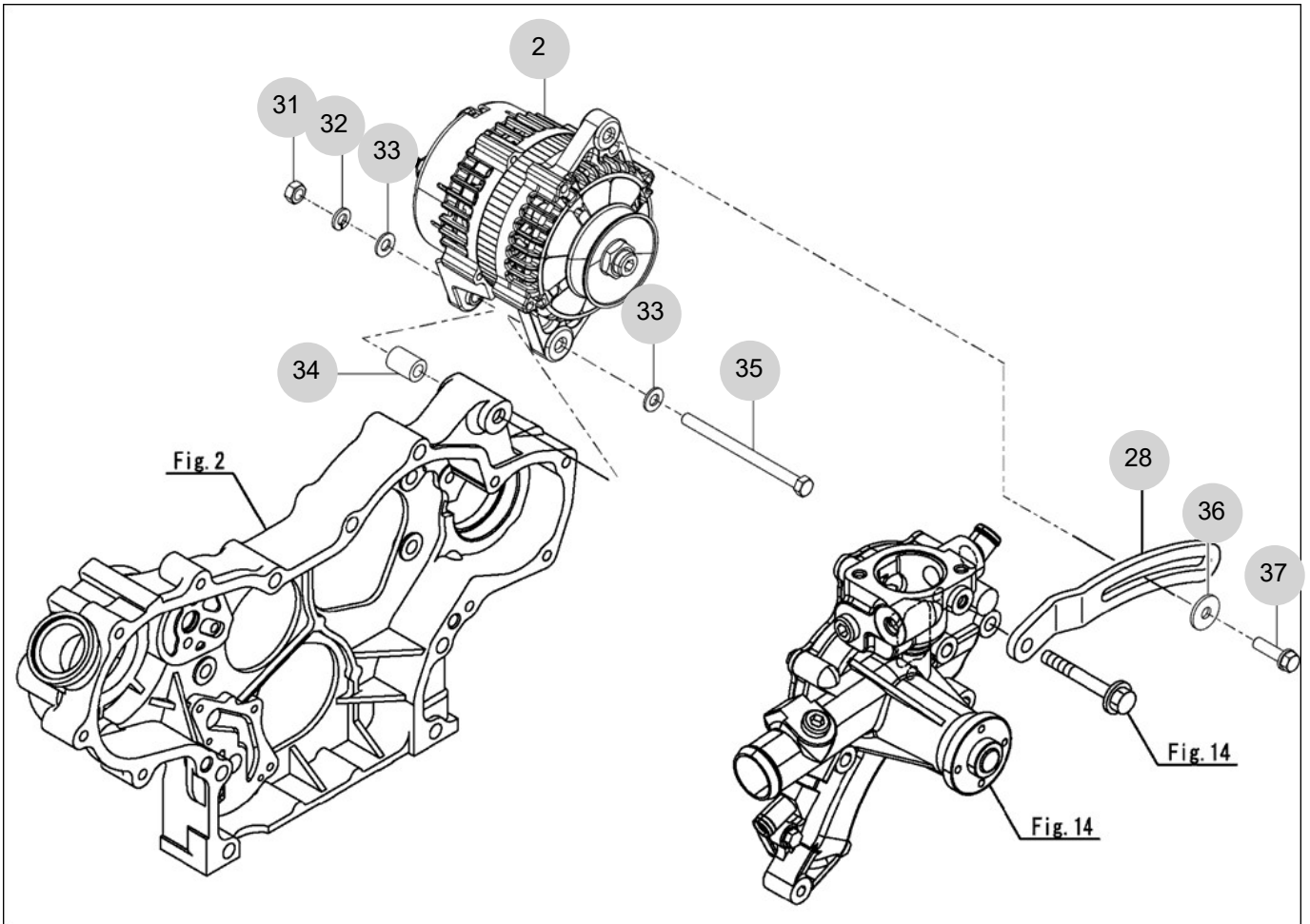
FIG 119

GENERATOR

년/월
Year/Month

2022-12

T555STGBC



NOTE

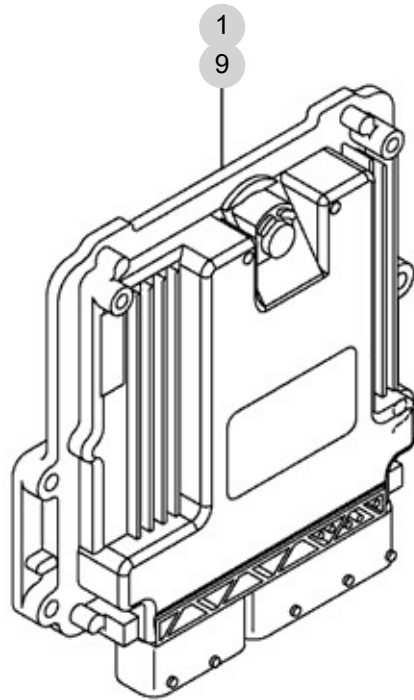
FIG 120A

T555STGBC

ELECTRONIC CONTROL UNIT (T554)

년/월
Year/Month

2022-12



NOTE

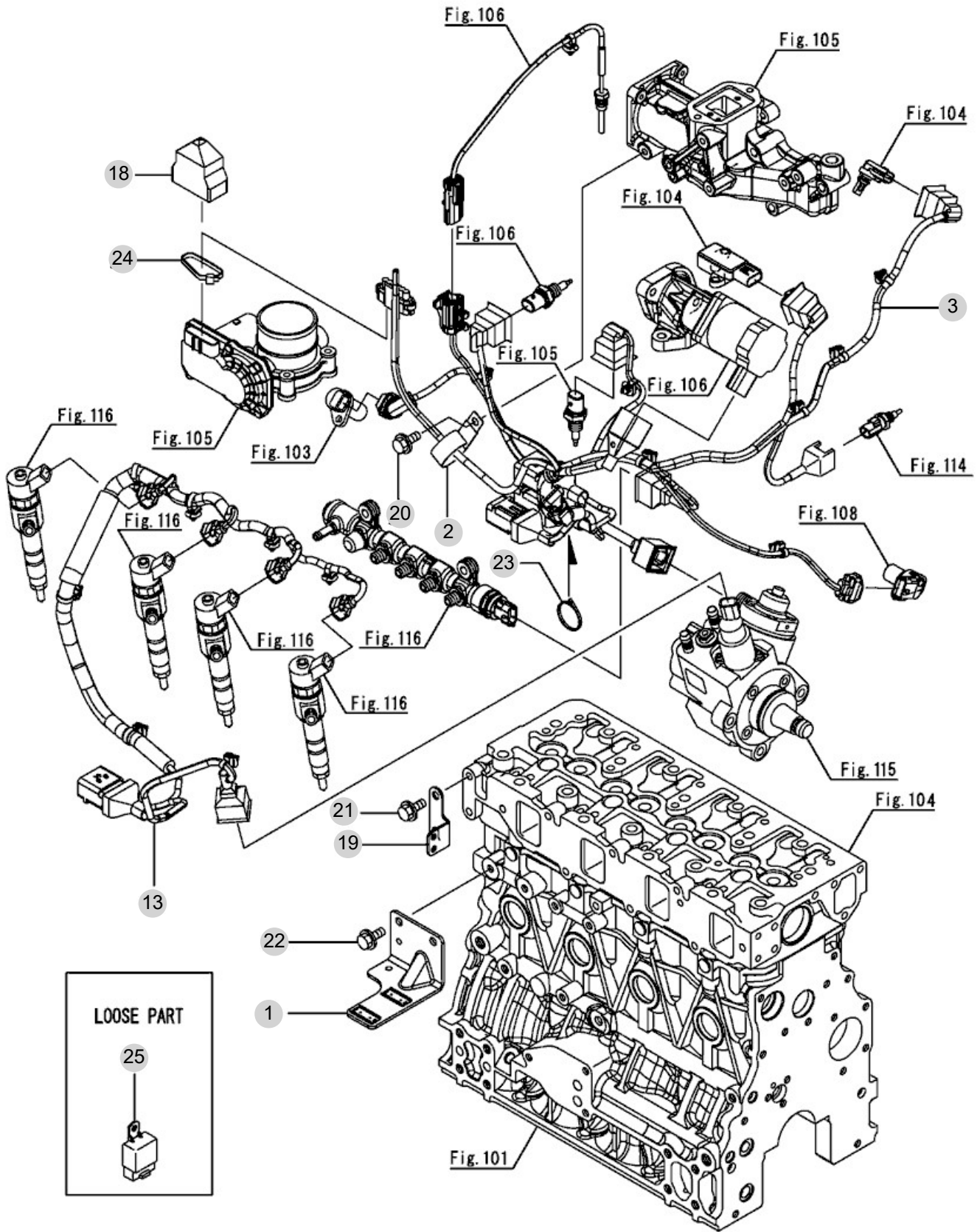
FIG 121A

ELECTRIC PARTS (T554)

년/월
Year/Month

2022-12

T555STGBC



NOTE

FIG 122A

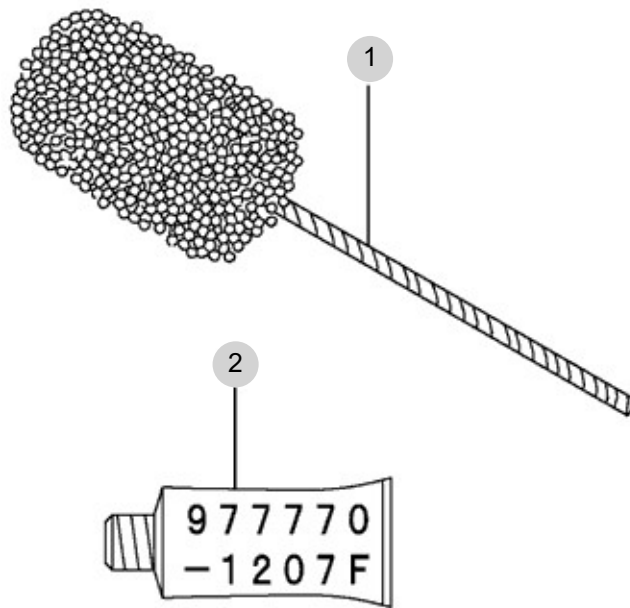
T555STGBC

ACCESSORY (T554)

년/월
Year/Month

2022-12

OPTIONAL PARTS



NOTE

2. 엔진보기품 PART NO. T2

FIG 201 AIR CLEANER	55
FIG 202 RADIATOR	57
FIG 203 MUFFLER	59
FIG 204 FUEL HOSE & FILTER	61
FIG 205 FUEL TANK	63
FIG 206 ACCELERATOR	65
FIG 208 FAN , COOLING	67

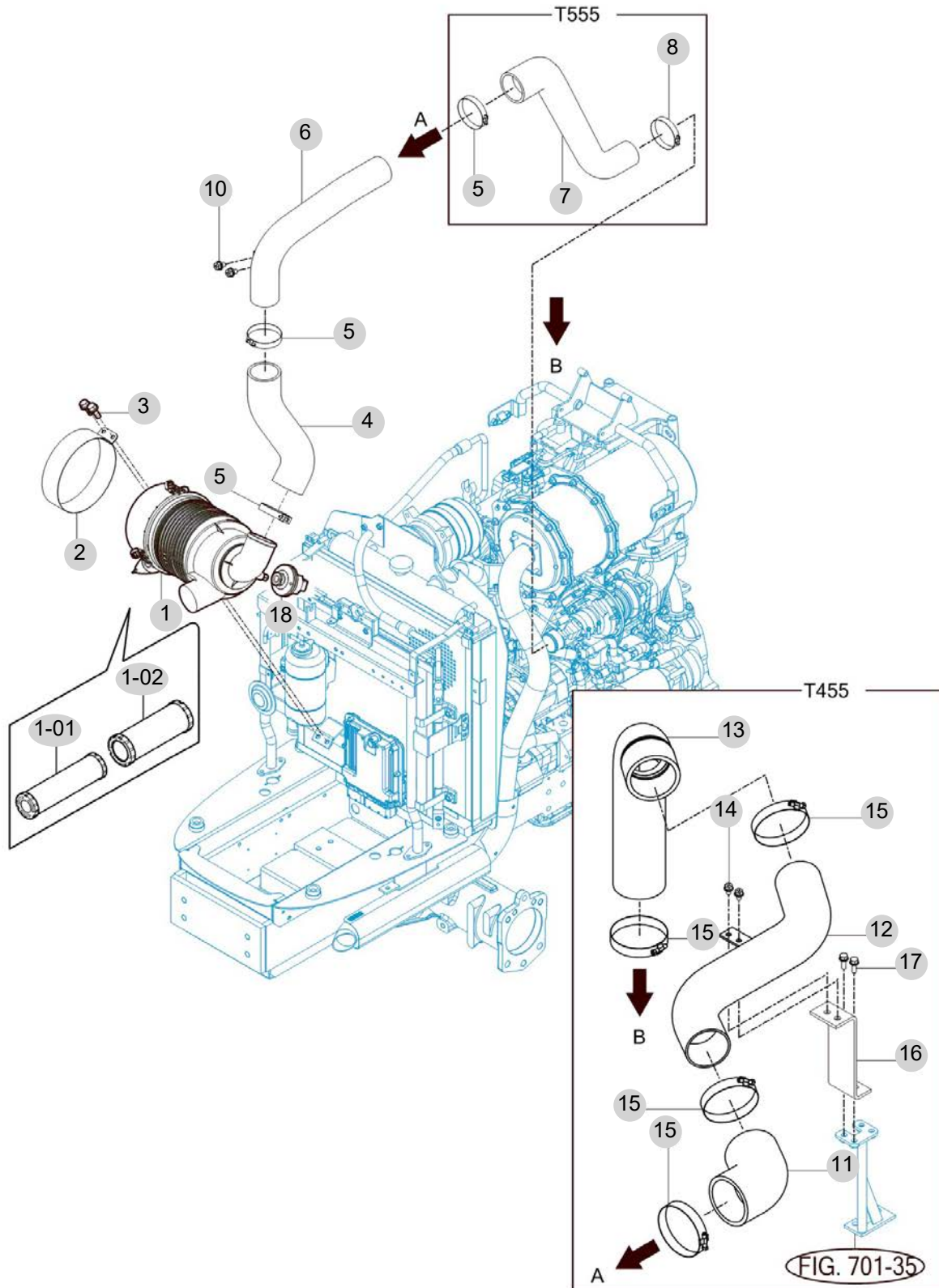
FIG 201

AIR CLEANER

년/월
Year/Month

2022-12

T555STGBC



NOTE

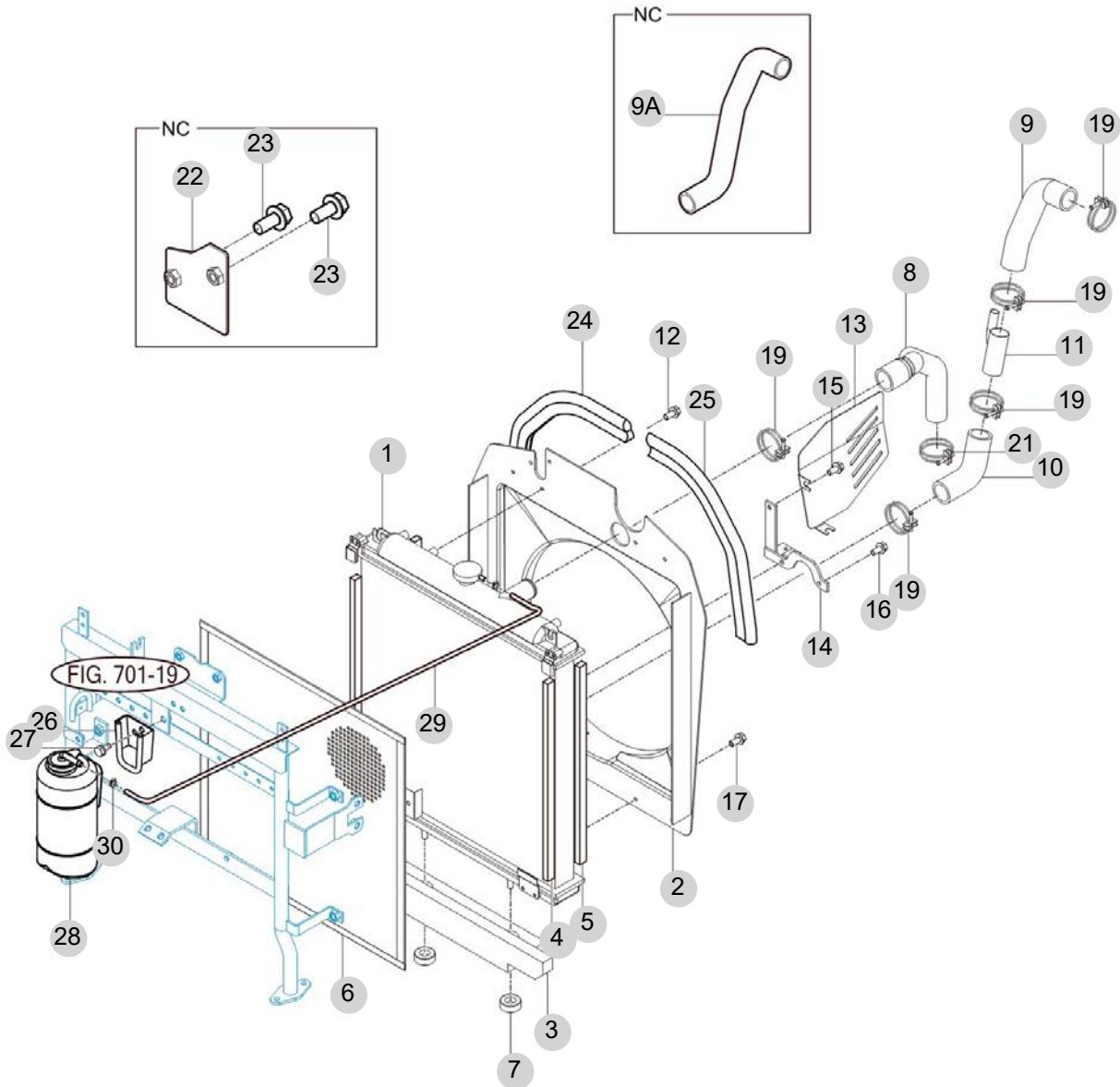
FIG 202

T555STGBC

RADIATOR

년/월
Year/Month

2022-12



NOTE

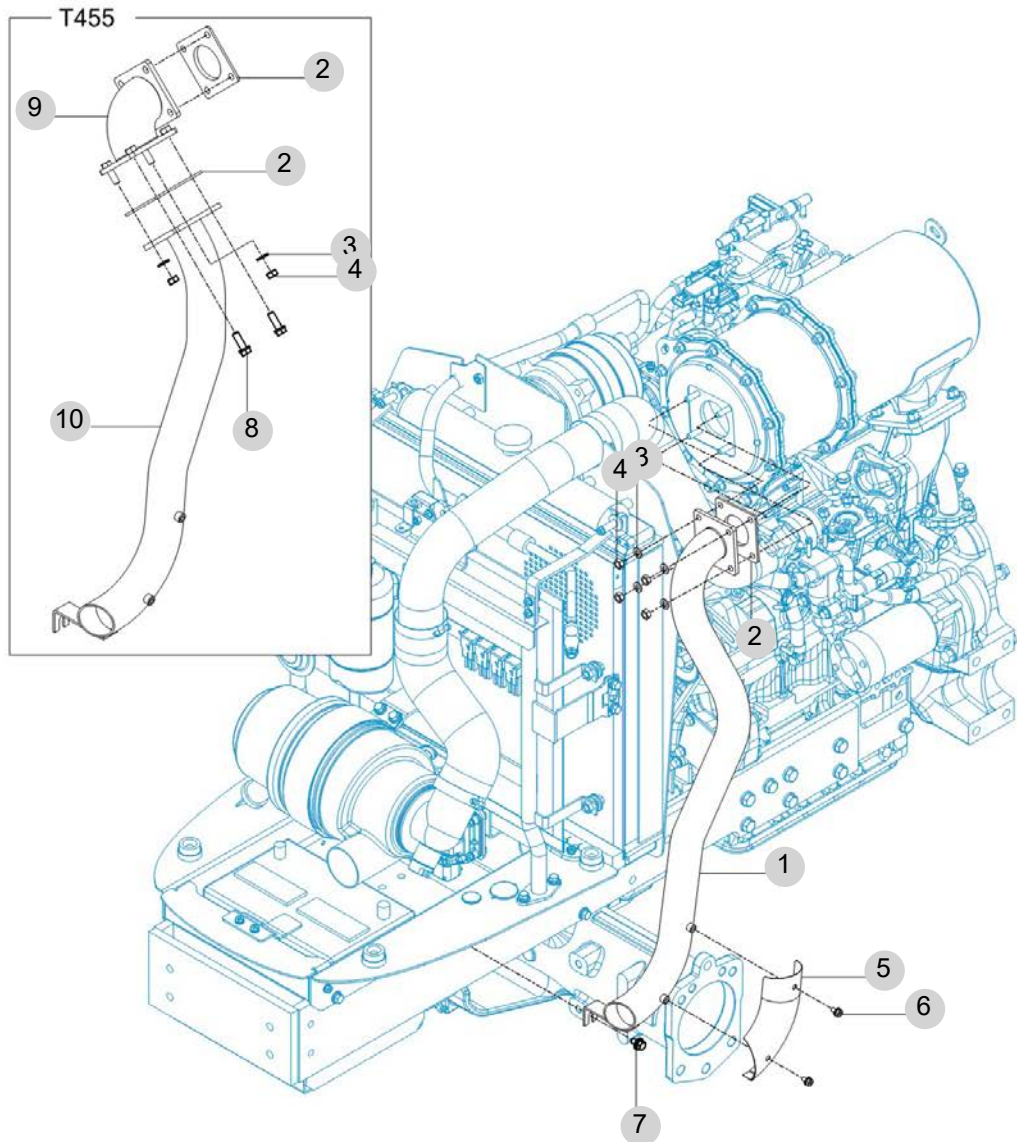
FIG 203

MUFFLER

년/월
Year/Month

2022-12

T555STGBC



NOTE

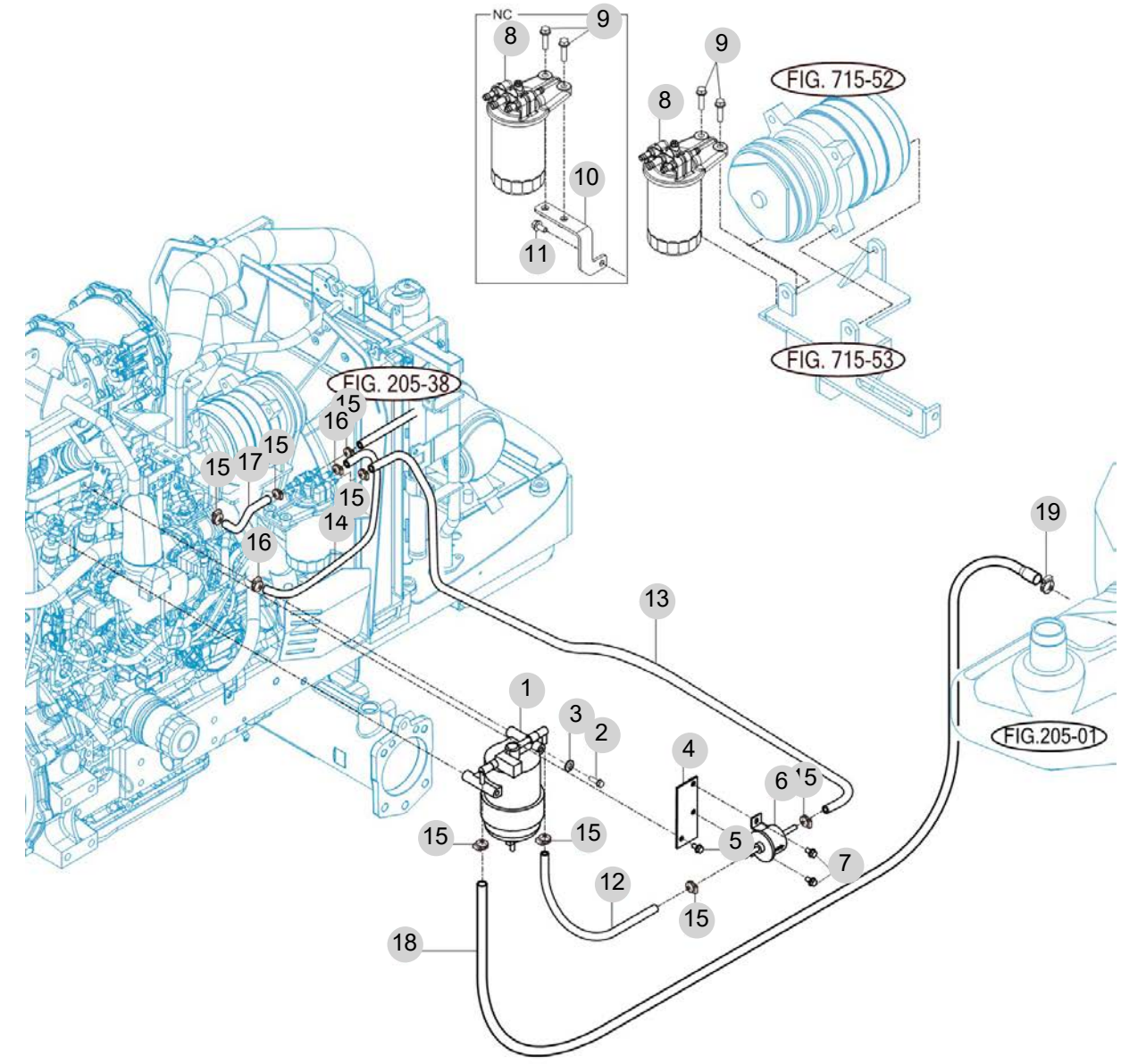
FIG 203 T555STGBC		MUFFLER						년/월 Year/Month	REMARKS
								2022-12	
KEY NO	PART NO	DESCRIPTION	SPEC	QTY	REPAIR	EFFECTIVE DATE			
203	1	17461054200DD	배기파이프 COMP				1		
203	2	17461030010	가스켓				1		
203	3	V4011600080	스프링와셔				4		
203	4	V3043600080	소형육각너트보통2종				4		
203	5	15111053200DD	커버, 배기파이프				1		
203	6	V2327006012	십자홀육각볼트(SP)				2		
203	7	V2183608016	소형육각볼트보통(SP)				1		
NOTE									

FIG 204

FUEL HOSE & FILTER

년/월
Year/Month

2022-12



NOTE

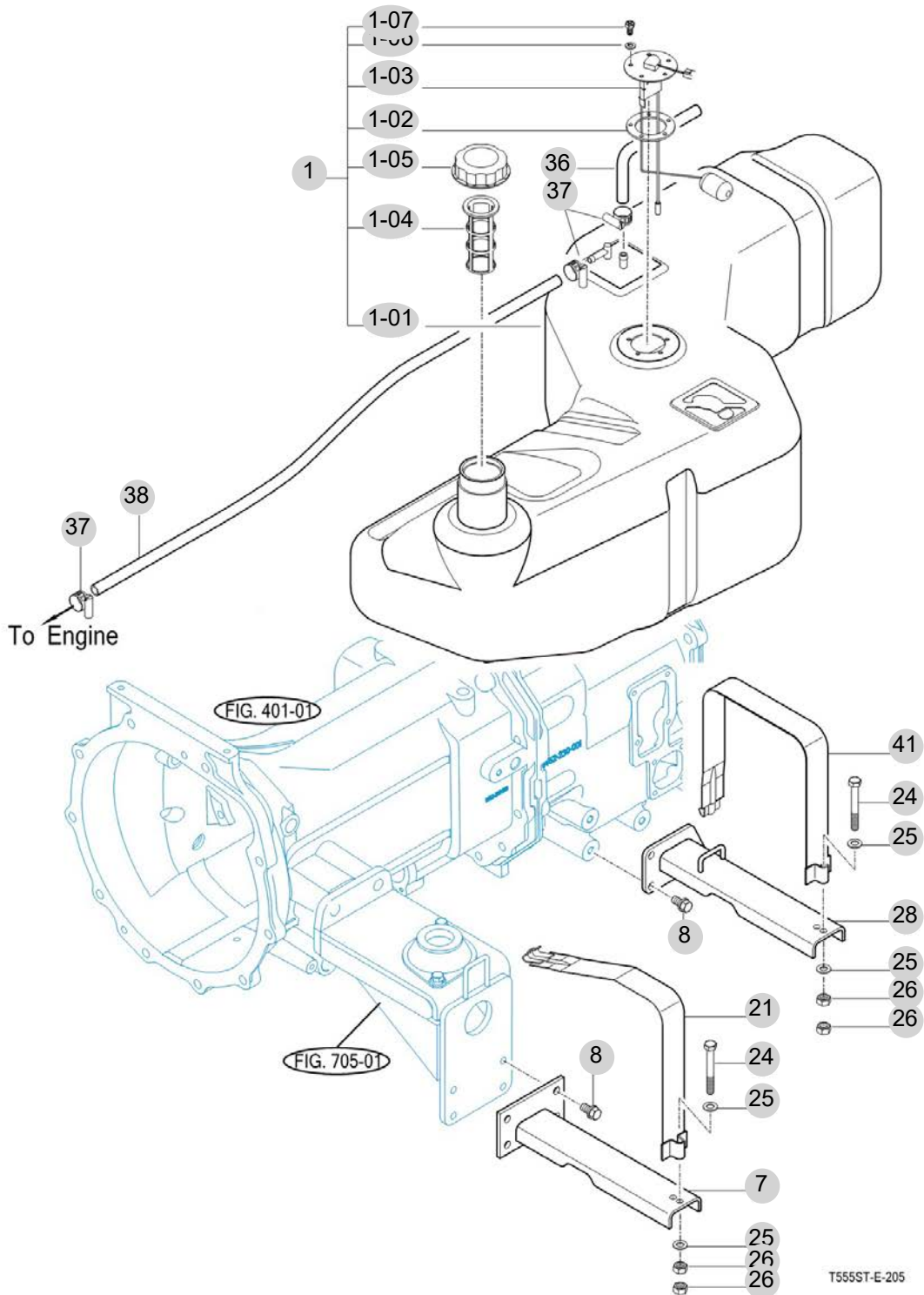
FIG 205

T555STGBC

FUEL TANK

년/월
Year/Month

2022-12



NOTE

FIG 205 T555STGBC		FUEL TANK					년/월 Year/Month	
							2022-12	
KEY NO	PART NO	DESCRIPTION	SPEC	QTY	REPAIR	EFFECTIVE DATE	REMARKS	
205	1	11761110000	연료탱크 SUB ASSY					
205	1-01	14521112101	연료탱크					
205	1-02	17686642400	고무패킹					
205	1-03	17466642300	연료게이지					
205	1-04	16731112130	여과기					
205	1-05	13603102000	캡(탱크)ASSY					
205	1-06	V4011600050	스프링와셔	M5				
205	1-07	V2053605012	십자혹육각볼트	M5X12				
205	7	14521114101GB	서포트(전)					
205	8	V2173610020	소형육각볼트보통(S)	M10X20				
205	21	14521114300GB	탱크밴드(전)COMP					
205	24	V2013608065	소형육각볼트(보통)	M8X70				
205	25	V4111600080	평와셔	M8				
205	26	V3042600080	소형육각너트보통2종	M8				
205	28	14521114200GB	서포트(후)					
205	36	17971020021	브리더호스1400					
205	37	14501410050	밴드 클램프 16					
205	38	17461113500	호스ASSY, 연료/리턴					
205	41	14521114400GB	탱크밴드(후)COMP					
NOTE								

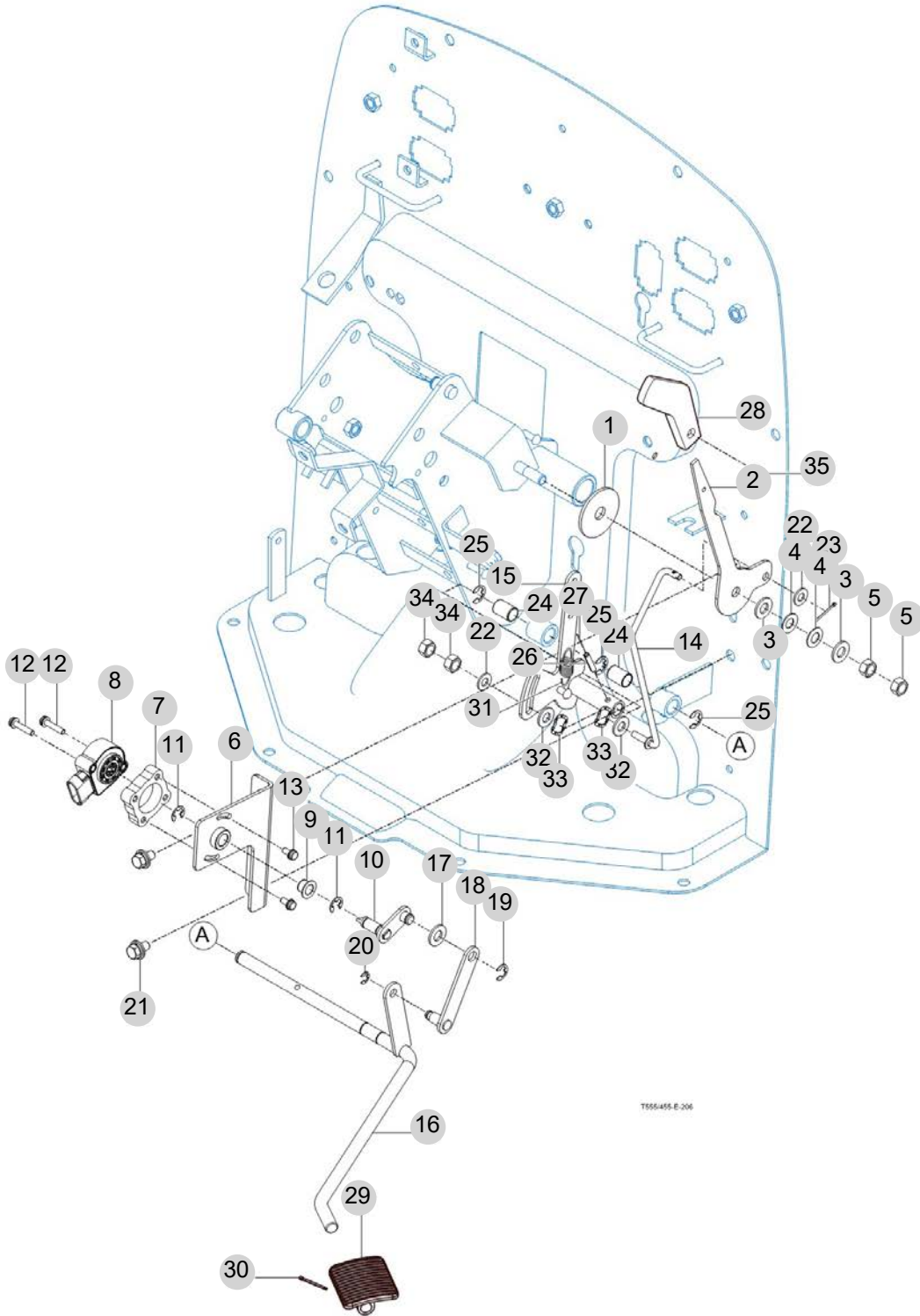
FIG 206

ACCELERATOR

년/월
Year/Month

2022-12

T555STGBC



T555455-E-206

NOTE

FIG 206	ACCELERATOR	년/월 Year/Month
T555STGBC		2022-12

KEY NO	PART NO	DESCRIPTION	SPEC	QTY	REPAIR	EFFECTIVE DATE	REMARKS
206	1	14141170050	라이닝 (13X50X3)		1		
206	2	19991162111	플레이트, 스톱 레버		1		
206	2	18181162110	플레이트, 스톱 레버		1		
206	3	V4111600100	평와셔	M10	2		
206	4	14527060010	접시 스프링 와셔/M10		2		
206	5	V3342600100	소형 육각 너트 가는 2종	M10	2		
206	6	17467552200	센서 플레이트 COMP		1		
206	7	17467632620	플레이트, 스페이서		1		
206	8	17466462500	스톱 센서 ASSY		1		
206	9	15645120010	부시(10X18X10)		1		
206	10	17467552300	암 샤프트 COMP		1		
206	11	V7081400080	E형 멈춤 링		2		
206	12	V1222605025	심자 흡납비 작은 나사(SP)	M5X25	2		
206	13	V1222605012	심자 흡납비 작은 나사(SP)	M5X12	2		
206	14	17461162500	로드 COMP, 스톱		1		
206	14	18181162500	로드 COMP, 스톱		1		
206	15	17461162400	액셀 페달 암 COMP		1		
206	16	17467552100	액셀 페달 로드 COMP		1		
206	17	V4111600100	평와셔	M10	1		
206	18	17467552400	링크 COMP		1		
206	19	V7081400080	E형 멈춤 링		1		
206	20	V7081400060	E형 멈춤 링		1		
206	21	V2183608016	소형 육각 볼트 보통(SP)	M8X16	2		
206	22	V4111600080	평와셔	M8	2		
206	23	V5001920020	분할핀		1		
206	24	36504400140	부시(12X14X20)		2		
206	25	V7081400090	E형 멈춤 링		3		
206	26	V5801405025	스프링핀		1		
206	27	V5901010070	철선		1		
206	28	12135110050	그립, 오렌지		1		
206	29	19027552031	액셀 페달		1		
206	30	V5001925025	분할핀		1		
206	31	21441300010	스프링(HE075)		1		
206	32	35602010150	결속축 와셔		2		
206	33	17461162610	웨이브 와셔		2		
206	34	V3042600080	소형 육각 너트 보통 2종		2		
206	35	V1122605012	심자 흡납 접시 작은 나사		1		

NOTE

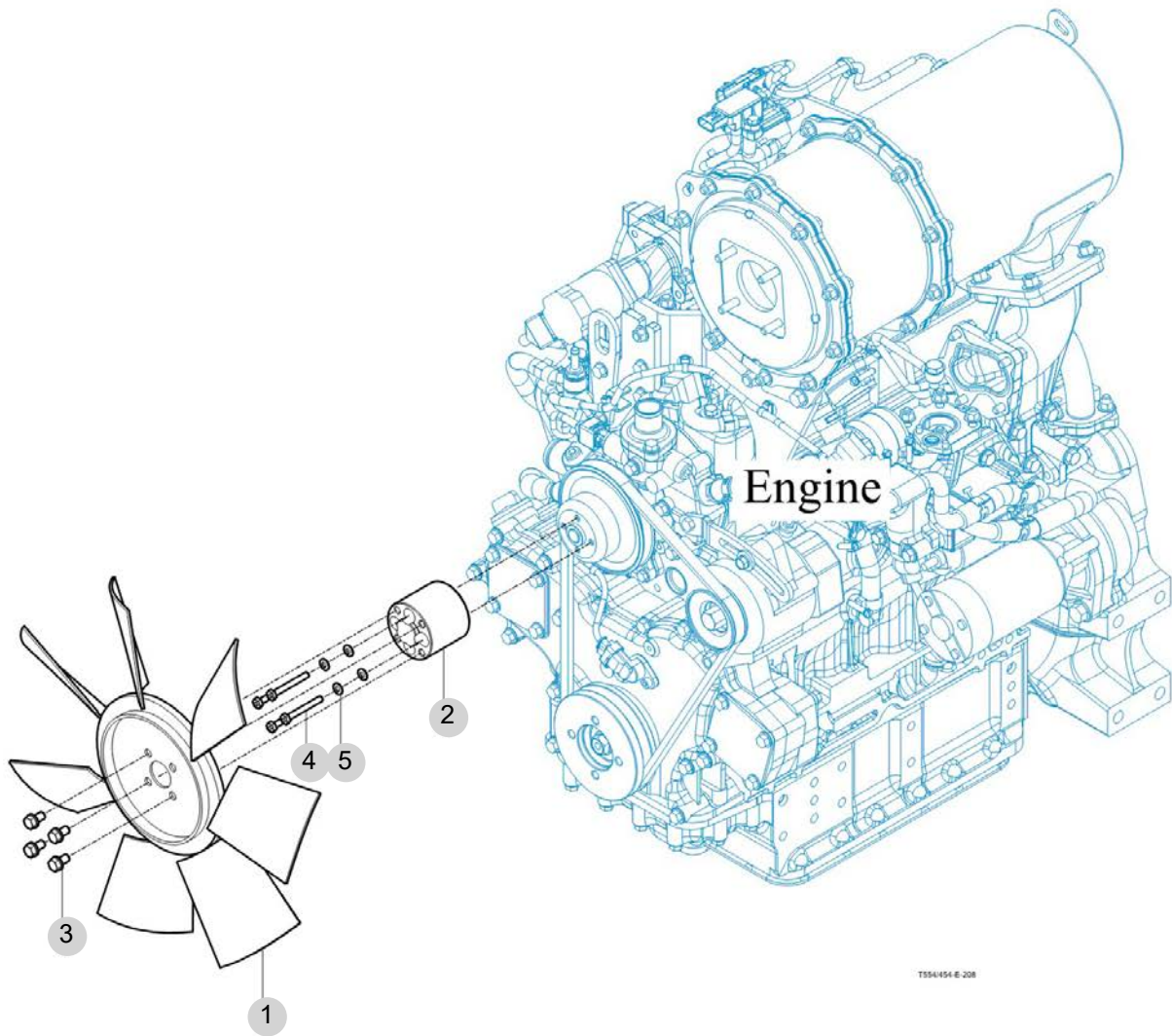
FIG 208

FAN , COOLING

년/월
Year/Month

2022-12

T555STGBC



NOTE

3. 클러치/브레이크/스티어링 PART NO. T3

FIG 301 CLUTCH	70
FIG 302 CLUTCH PEDAL	72
FIG 303 BRAKE	74
FIG 304 BRAKE PEDAL & LINKAGE	76
FIG 305A FRONT WHEEL	78
FIG 305B FRONT WHEEL (R4 OPTION)	80
FIG 306A REAR WHEEL	82
FIG 306B REAR WHEEL (R4 OPTION)	84
FIG 307 POWER STEERING WHEEL	86
FIG 308 POWER STEERING VALVE	88
FIG 309 POWER STEERING CYLINDER	90
FIG 310 HAND BRAKE	92

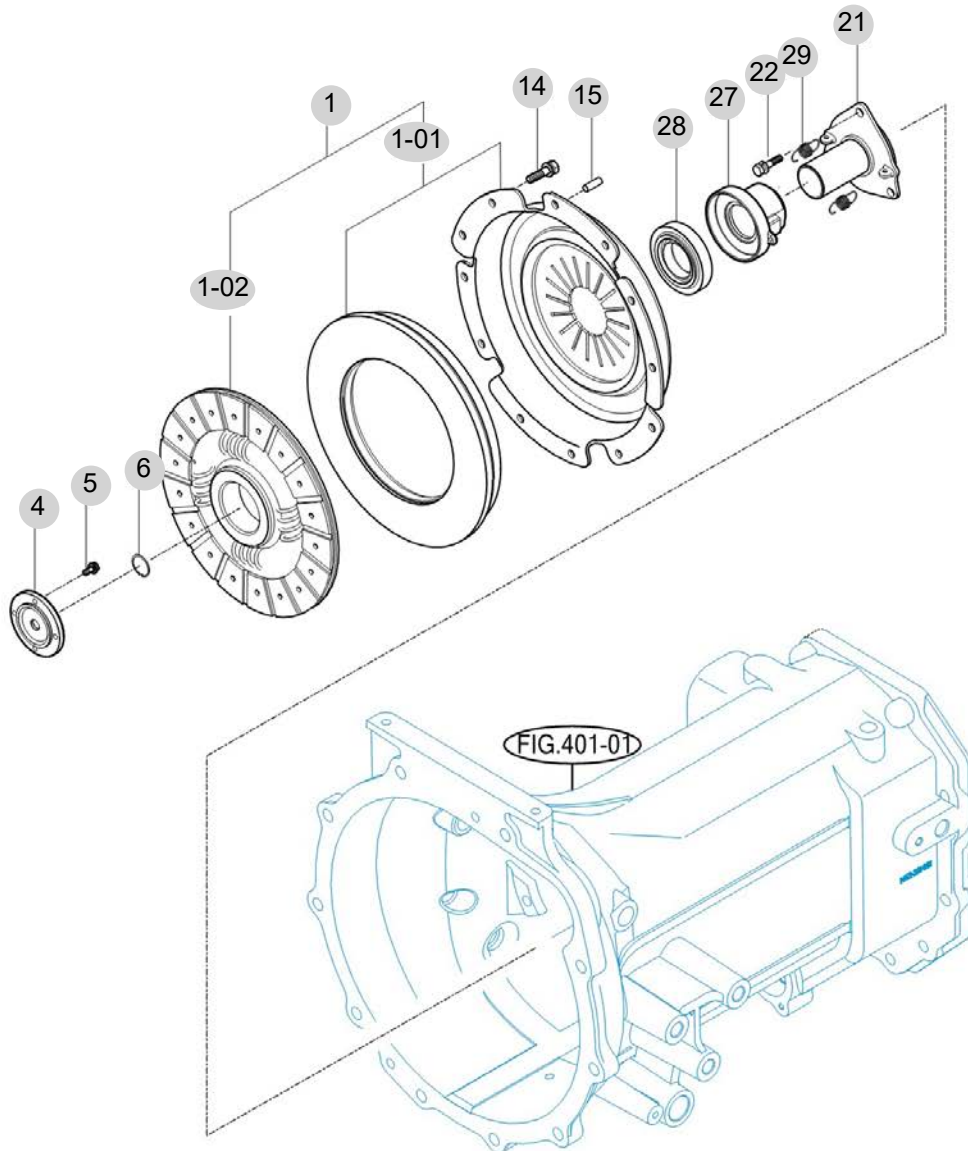
FIG 301

T555STGBC

CLUTCH

년/월
Year/Month

2022-12



T555STGBC/T555STGBC/T555STGBC-E-01

NOTE

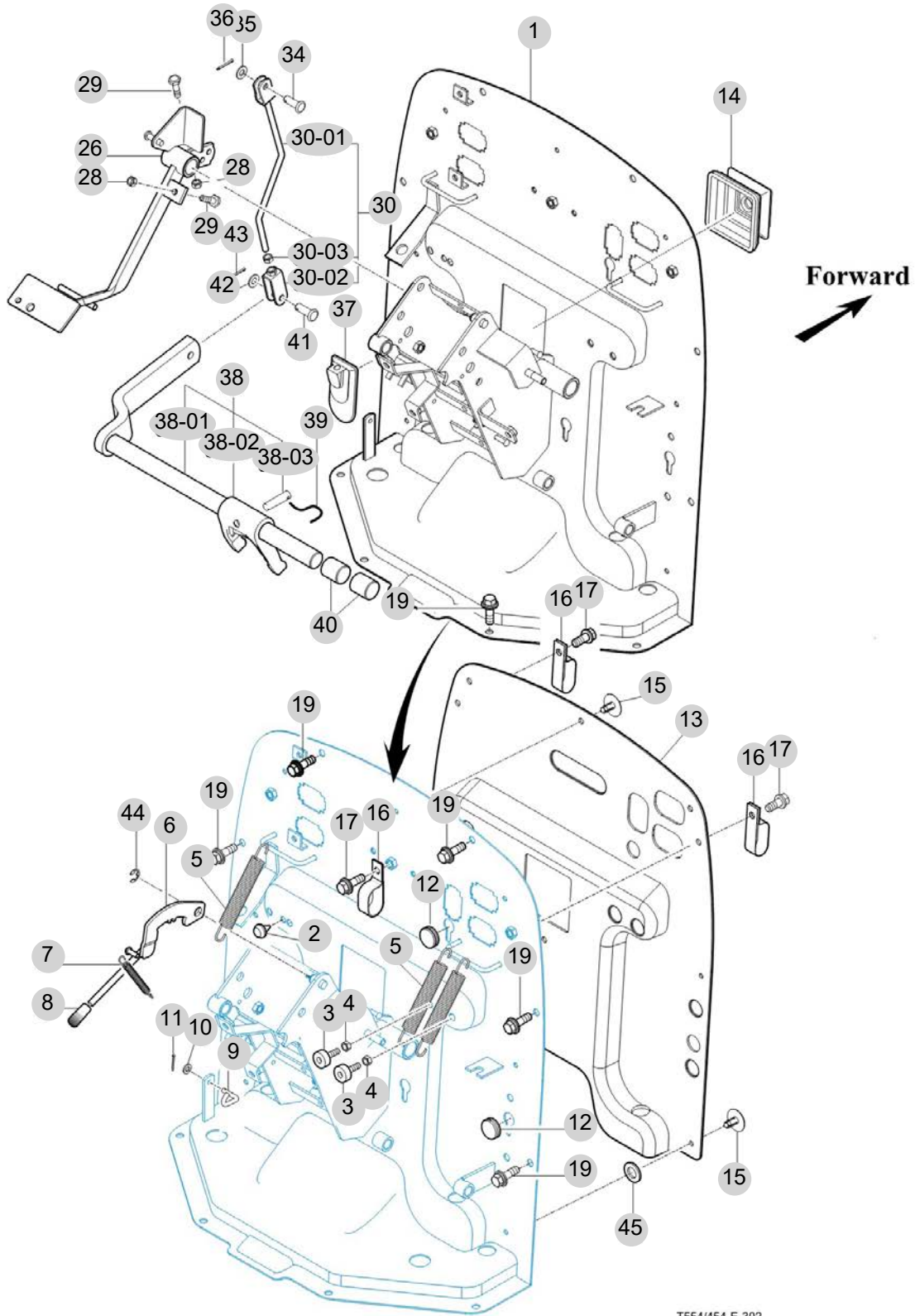
FIG 302

CLUTCH PEDAL

년/월
Year/Month

2022-12

T555STGBC



NOTE

FIG 302 T555STGBC		CLUTCH PEDAL						년/월 Year/Month	
								2022-12	
KEY NO		PART NO	DESCRIPTION	SPEC	QTY	REPAIR	EFFECTIVE DATE	REMARKS	
302	1	11766303200GB	대시패널COMP		1				
302	1-01	14326160020	쿿션고무		1				
302	3	14216020051	쿿션고무(B)		2				
302	4	V3043600080	소형육각너트보통2종	M8	2				
302	5	14041200080	클러치리턴스프링	D=2.3	3				
302	6	14724042401GB	틸트레버 COMP		1				
302	7	16001200080	브레이크리턴스프링	D=1.6	1				
302	8	14445070030	레버손잡이		1				
302	9	15441230050	컷오프로드		1				
302	10	V4111600060	평와셔	M6	1				
302	11	V5001920020	분할핀	2X20	1				
302	12	14326510210	고무캡(20)		2				
302	13	17467071991	인슐레이터, 대시	T=10	1				
302	14	14526300011	부츠,스티어링호스	T=1.5	1				
302	15	17686040020	리벳 SET(흑색)	SV302	9				
302	16	14441010161	라디에이터호스클램프		3				
302	17	V2183608020	소형육각볼트보통(SP)	M8X20	3				
302	19	V2183608016	소형육각볼트보통(SP)	M8X16	10				
302	26	14571332100GB	페달(클러치)COMP		1				
302	28	V3043600080	소형육각너트보통2종	M8	2				
302	29	V2013608030	소형육각볼트(보통)	M8X30	2				
302	30	14521330002GB	로드서브, 클러치		1				
302	30	14521330002	로드서브, 클러치		1				
302	30	14521330002	로드서브, 클러치		1				
302	30-01	14521333103	로드조합, 클러치		1				
302	30-02	14521333200	후크 조합		1				
302	30-03	V3042600080	소형육각너트보통2종		1				
302	34	14322420010	핀	D=8	1				
302	35	V4111600080	평와셔	M8	1				
302	36	V5001925020	핀	2.5X20	1				
302	37	14526300210	부츠,클러치 페달		1				
302	38	14521302000	바 SET		1				
302	38-01	14521302101	바 COMP		1				
302	38-02	14521300011	포크(릴리스)		1				
302	38-03	15601300010	핀(테이퍼,08X40)		1				
302	39	V5901012150	철선		1				
302	40	14521302150	부시(바COMP)		2				
302	41	14043120060	요오크핀 (A)	D=8	1				
302	42	V4111600080	평와셔	M8	1				
302	43	V5001920020	분할핀	2X20	1				
302	44	V7081400090	E형멈춤링		1				
302	45	V4111600080	평와셔	M8	1				
NOTE									

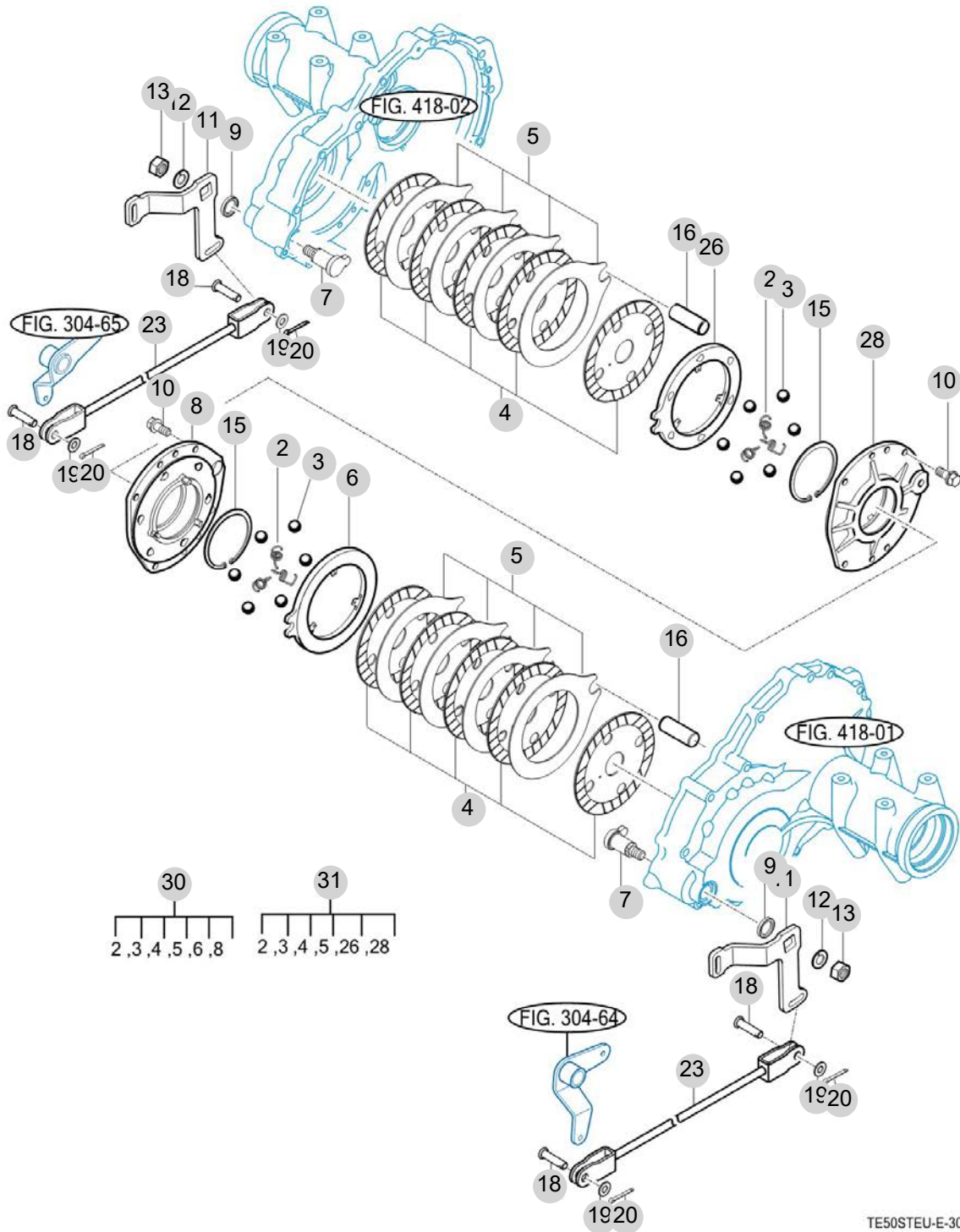
FIG 303

T555STGBC

BRAKE

년/월
Year/Month

2022-12



NOTE

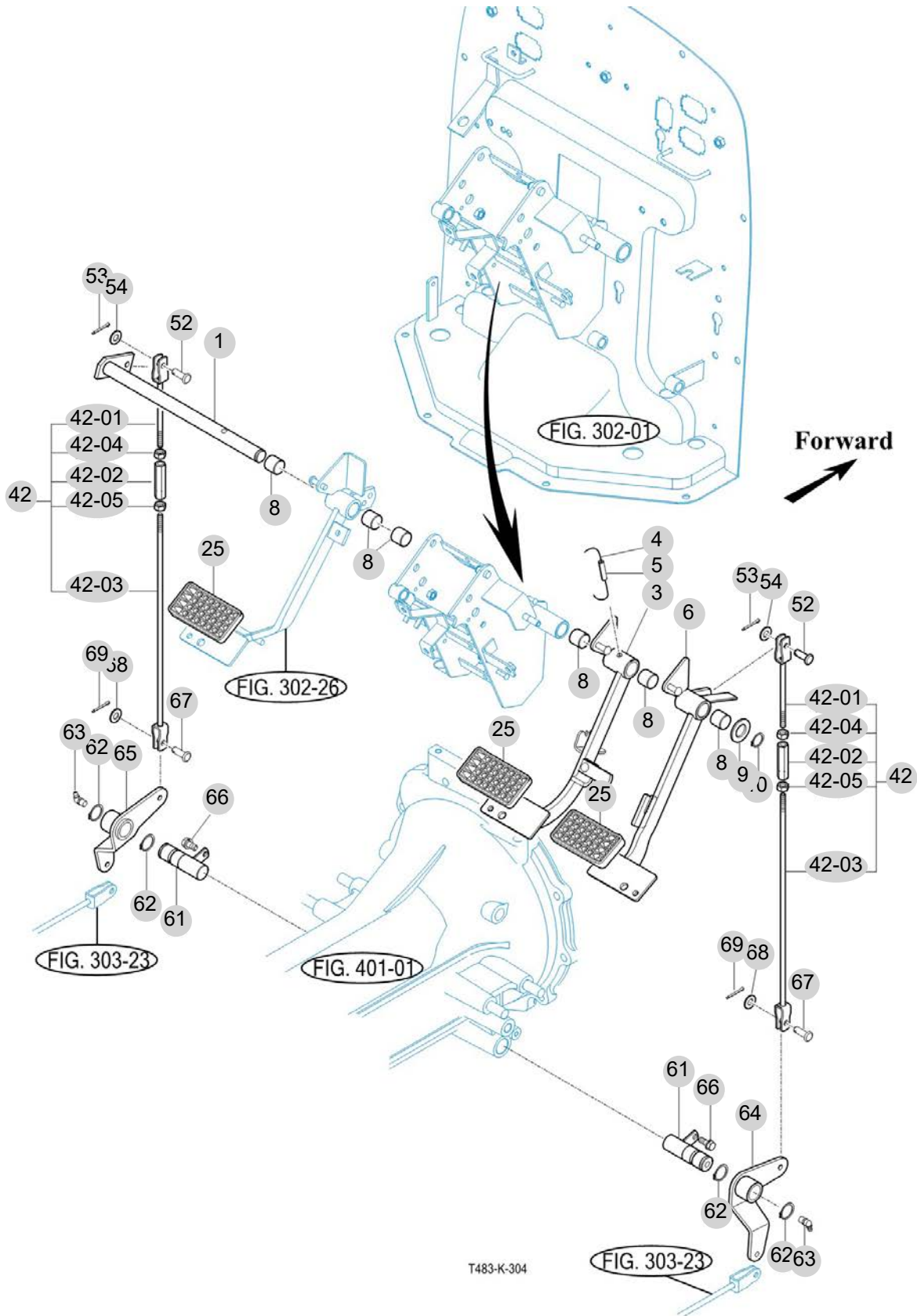
FIG 304

BRAKE PEDAL & LINKAGE

년/월
Year/Month

2022-12

T555STGBC



NOTE

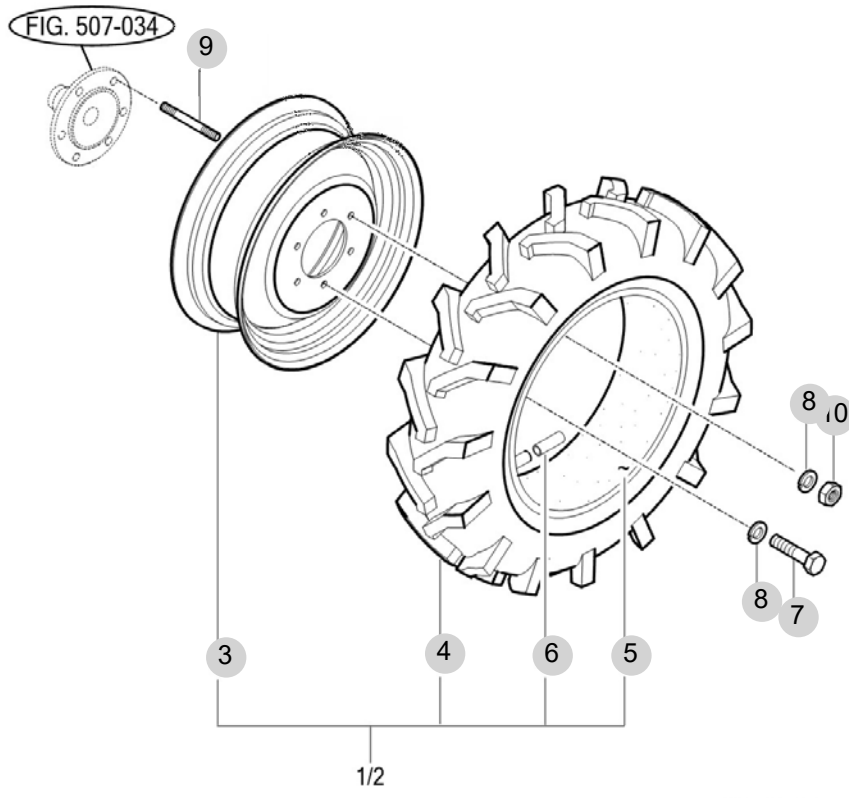
FIG 305A

T555STGBC

FRONT WHEEL

년/월
Year/Month

2022-12



NOTE

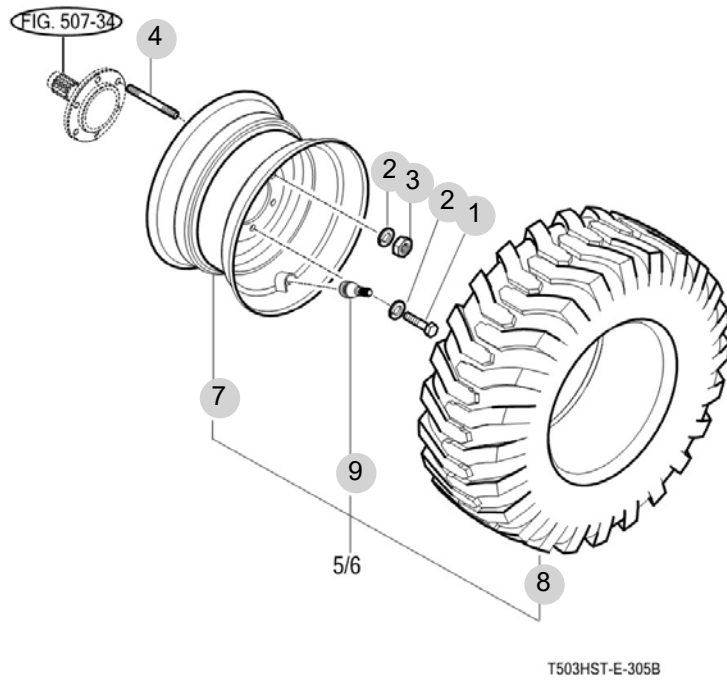
FIG 305B

T555STGBC

FRONT WHEEL (R4 OPTION)

년/월
Year/Month

2022-12



NOTE

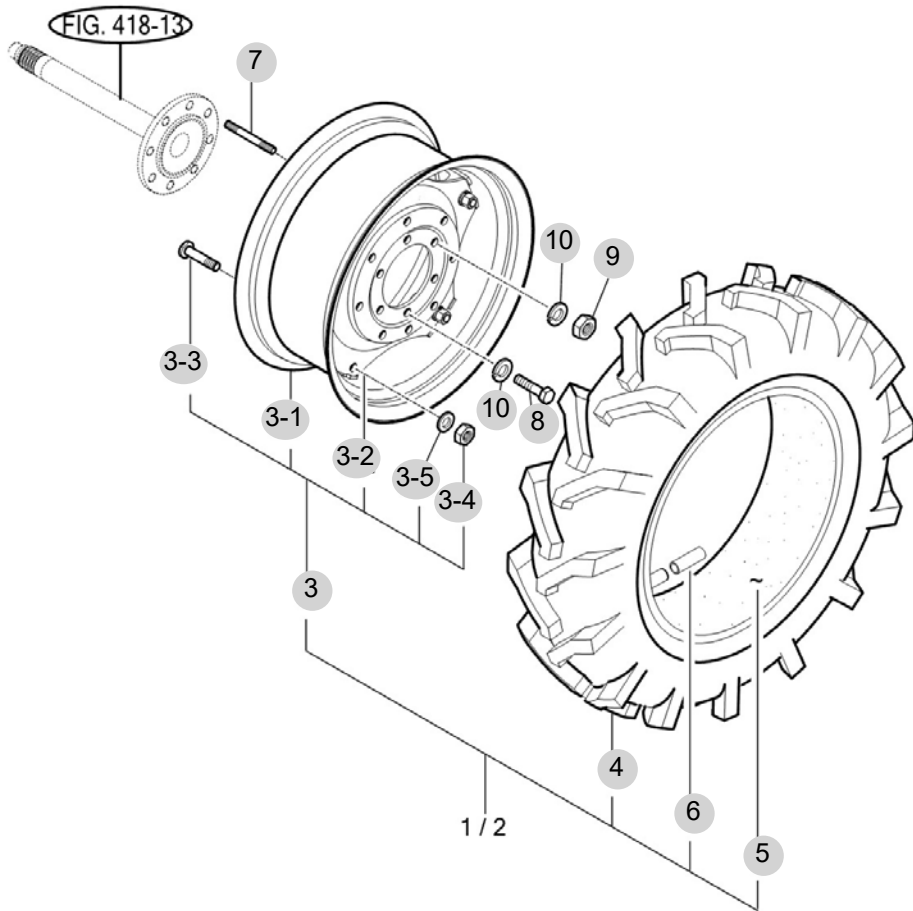
FIG 306A

T555STGBC

REAR WHEEL

년/월
Year/Month

2022-12



NOTE

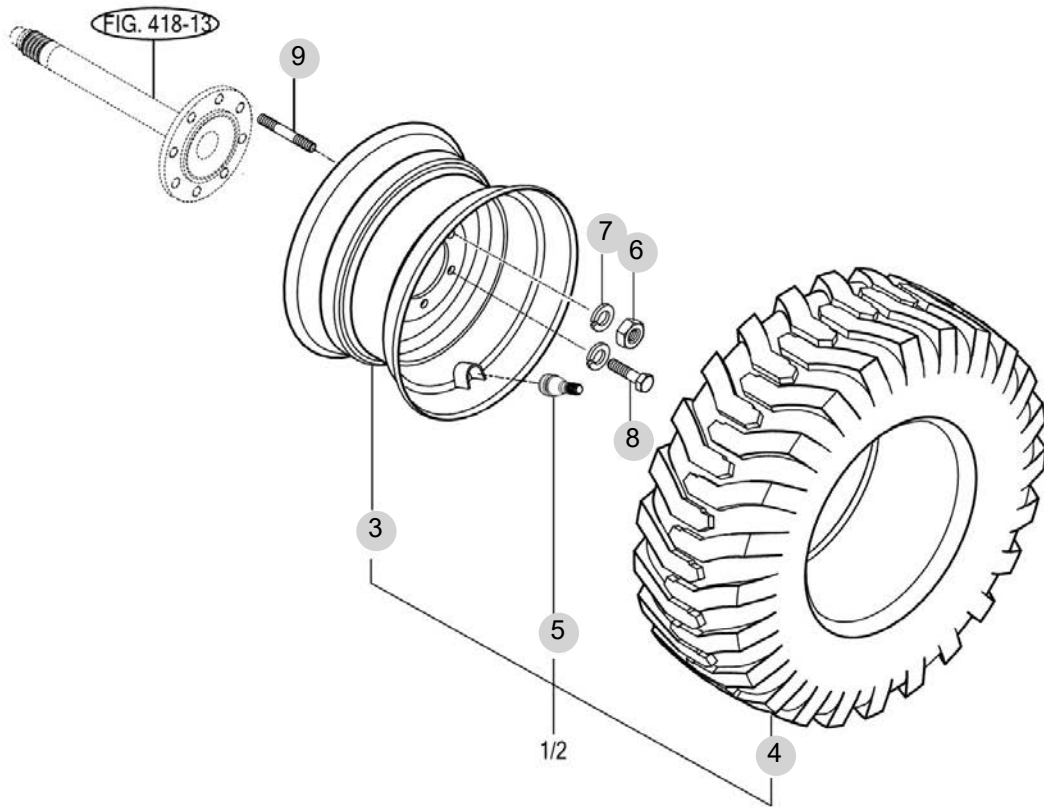
FIG 306B

T555STGBC

REAR WHEEL (R4 OPTION)

년/월
Year/Month

2022-12



NOTE

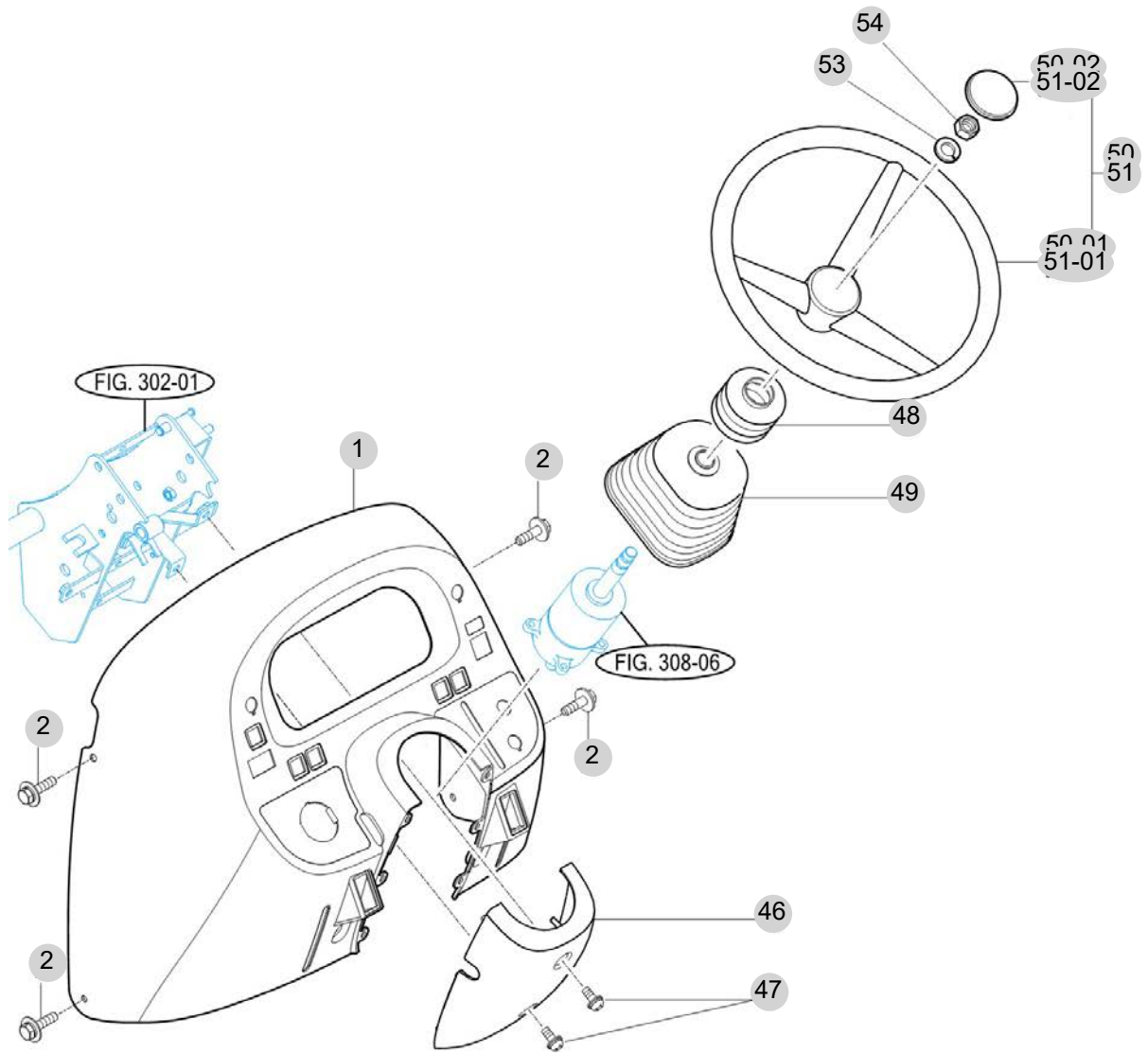
FIG 307

T555STGBC

POWER STEERING WHEEL

년/월
Year/Month

2022-12



T555ST-K-307

NOTE

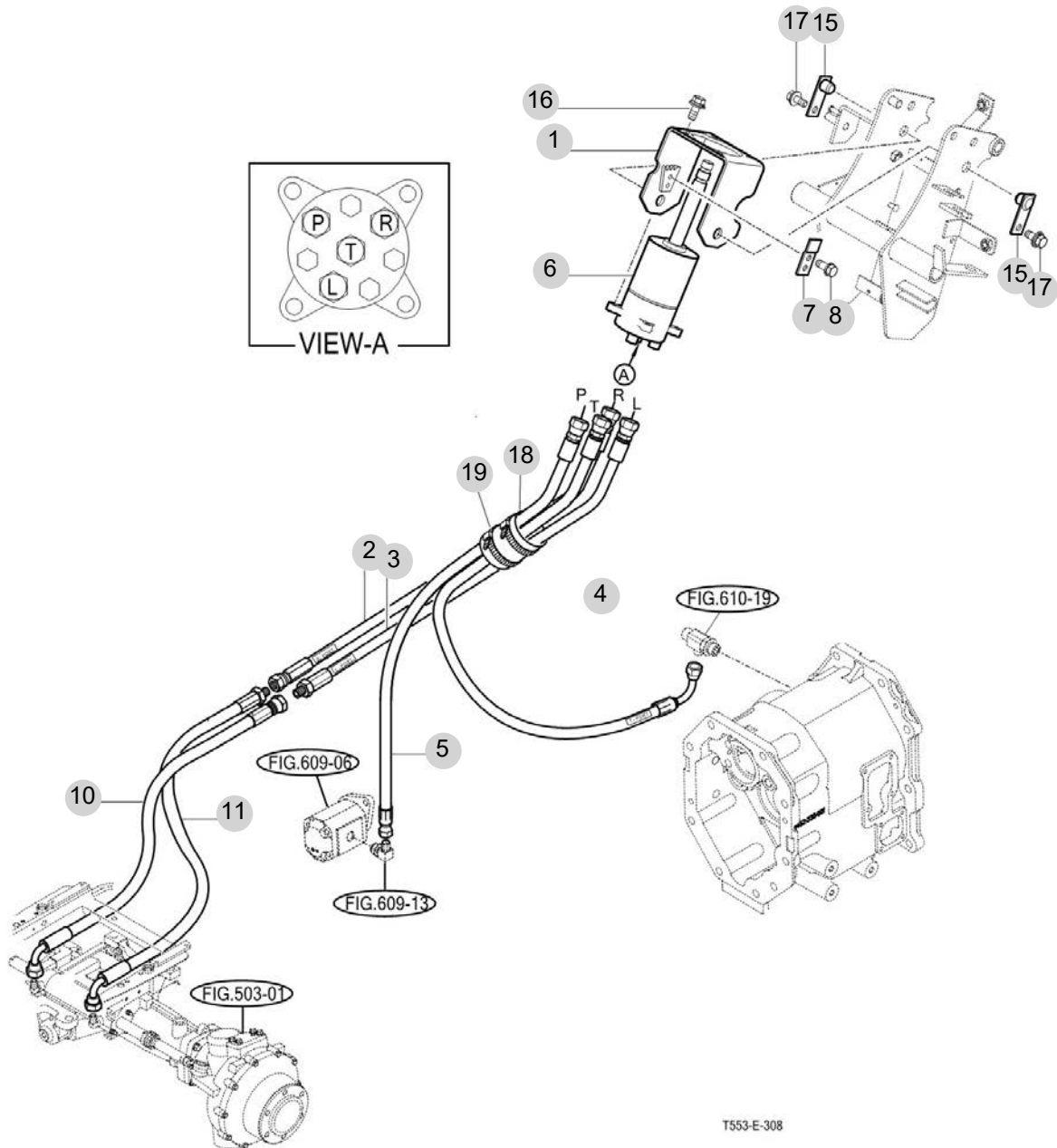
FIG 308

POWER STEERING VALVE

년/월
Year/Month

2022-12

T555STGBC



T553-E-308

NOTE

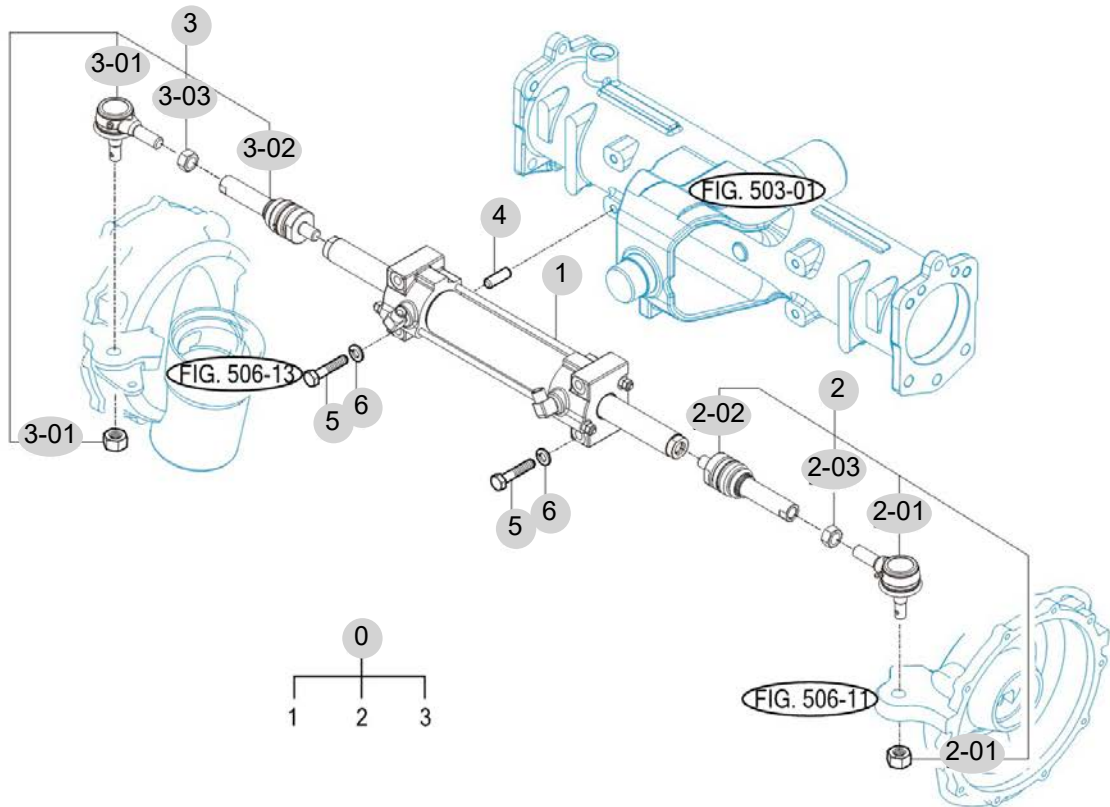
FIG 309

POWER STEERING CYLINDER

년/월
Year/Month

2022-12

T555STGBC



T555STGBC

NOTE

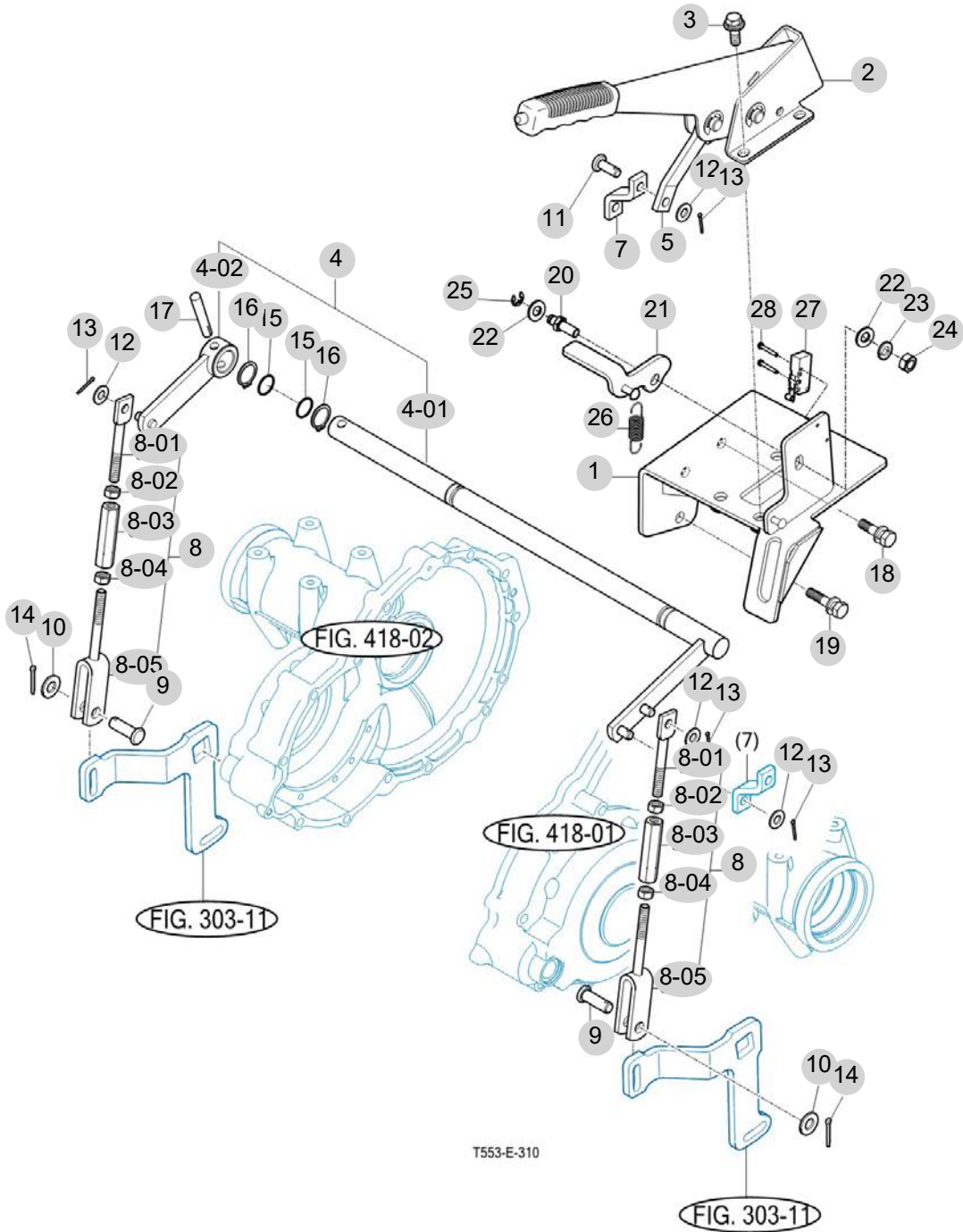
FIG 310

HAND BRAKE

년/월
Year/Month

2022-12

T555STGBC



NOTE

4. 트랜스미션 PART NO. T4

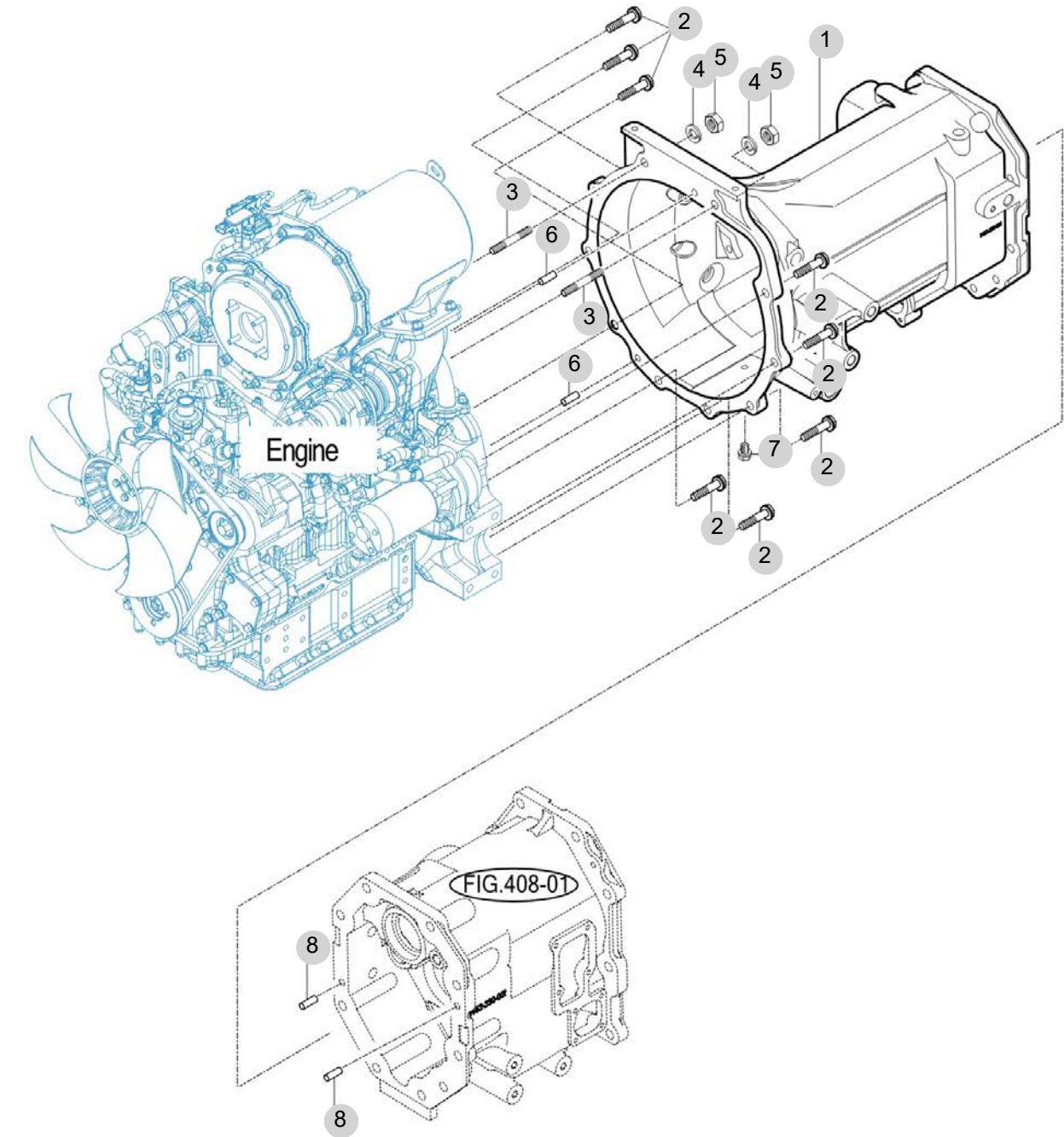
FIG 401 TRANSMISSION FRONT CASE	95
FIG 402 FORWARD & BACKWARD GEARS	97
FIG 403 IDLE & COUNTER GEARS	99
FIG 404 MAIN SHIFT GEARS	101
FIG 405 P.T.O DRIVE SHAFT	103
FIG 406 MAIN CHANGE LEVER	105
FIG 407 REVERSE CHANGE LEVER	107
FIG 408 TRANSMISSION MID CASE	109
FIG 409 TRANSMISSION REAR CASE	111
FIG 410 SUB CHANGE GEARS	113
FIG 411 SUB CHANGE SHIFTER	115
FIG 413 DRIVE GEARS	117
FIG 414 4WD CHANGE LEVER	119
FIG 415 P.T.O CHANGE GEARS	121
FIG 416 P.T.O CHANGE SHIFTER	123
FIG 417 REAR DIFFERENTIAL GEARS	125
FIG 418 REAR AXLE HOUSING	128

FIG 401

TRANSMISSION FRONT CASE

년/월
Year/Month

2022-12



NOTE

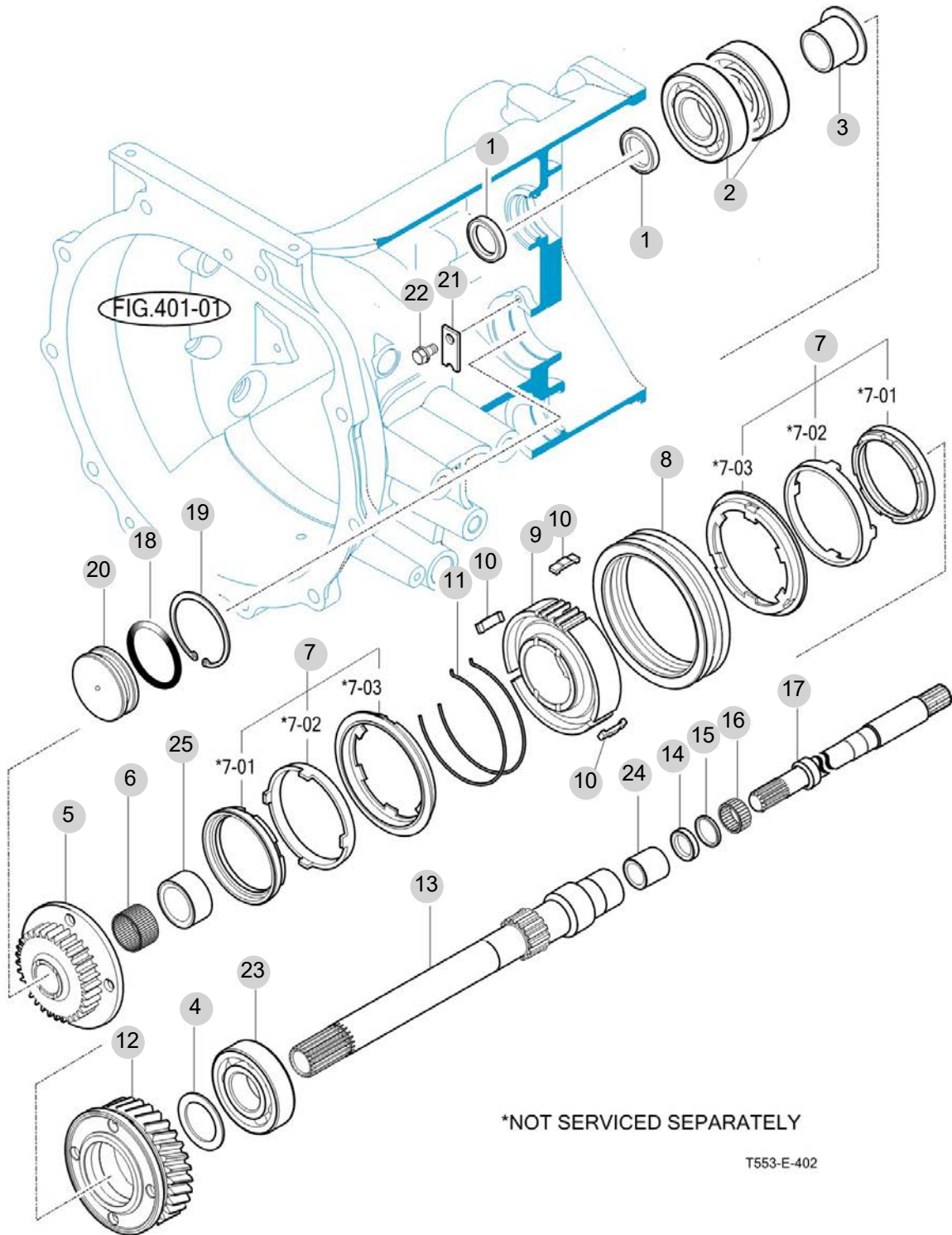
FIG 402

FORWARD & BACKWARD GEARS

년/월
Year/Month

2022-12

T555STGBC



*NOT SERVICED SEPARATELY

T553-E-402

NOTE

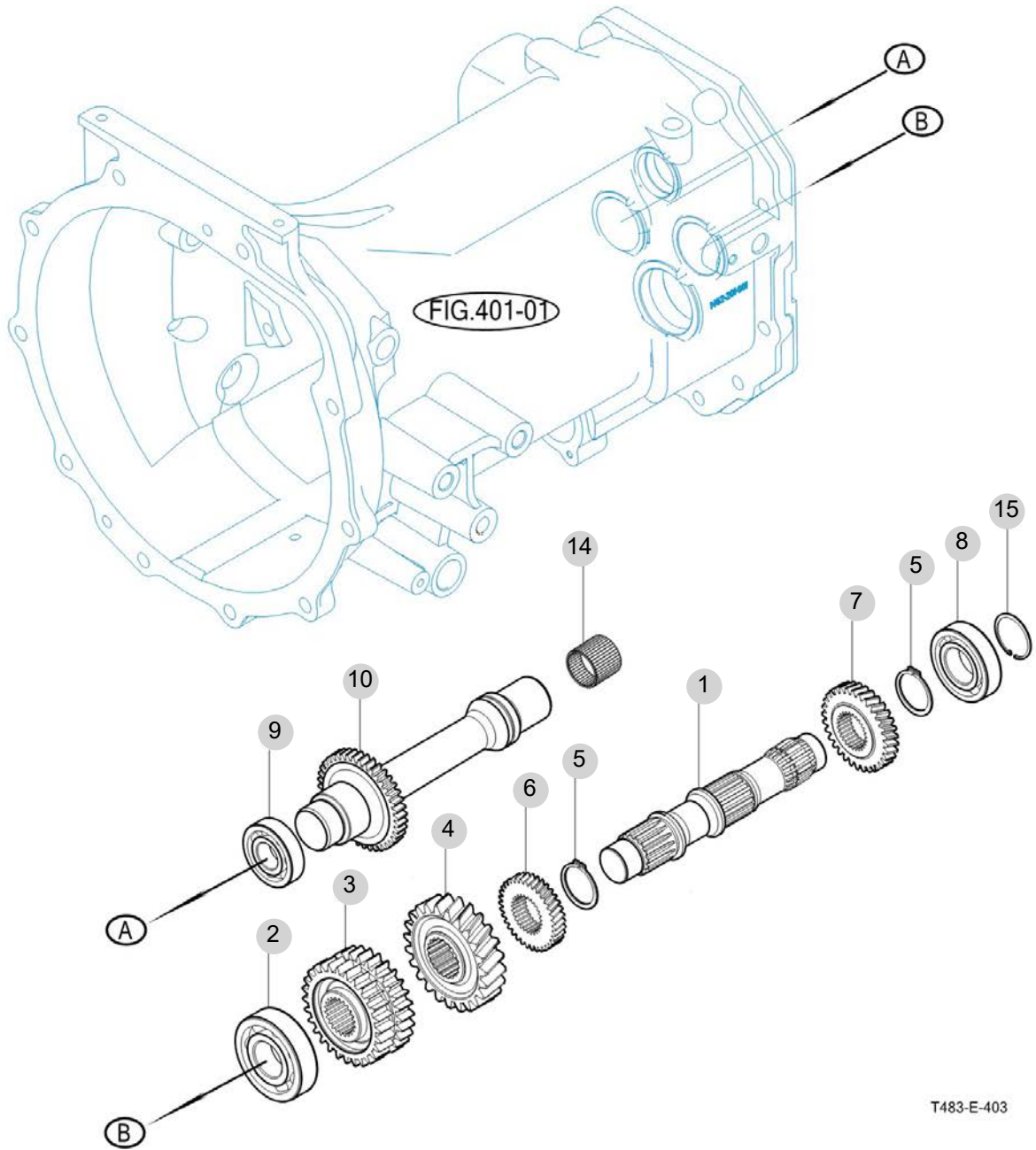
FIG 403

IDLE & COUNTER GEARS

년/월
Year/Month

2022-12

T555STGBC



T483-E-403

NOTE

FIG 403 T555STGBC		IDLE & COUNTER GEARS						년/월 Year/Month
								2022-12
								KEY NO
403	1	14522130011	축(카운터/메인)	D=40	1			
403	2	V6041106306	볼베어링(HL1)	6306HL1	1			
403	3	14522130020	기어(스퍼/27)		1			
403	4	11762130030	기어(헬리컬,33)		1			
403	5	V7041400350	C형 멈춤링(축용)	35	2			
403	6	14522130040	기어(헬리컬,20)		1			
403	7	14522130050	기어(헬리컬,24)		1			
403	8	V6041106206	볼베어링(HL1)	6206HL1	1			
403	9	V6041106205	볼베어링(HL1)	6205HL1	1			
403	10	15162210020	기어(스퍼/24, 리버스아이들)		1			
403	14	V6532253226	니들베어링(셀)		1			
403	15	V7051400620	C형 멈춤링(구멍용)		1			
NOTE								

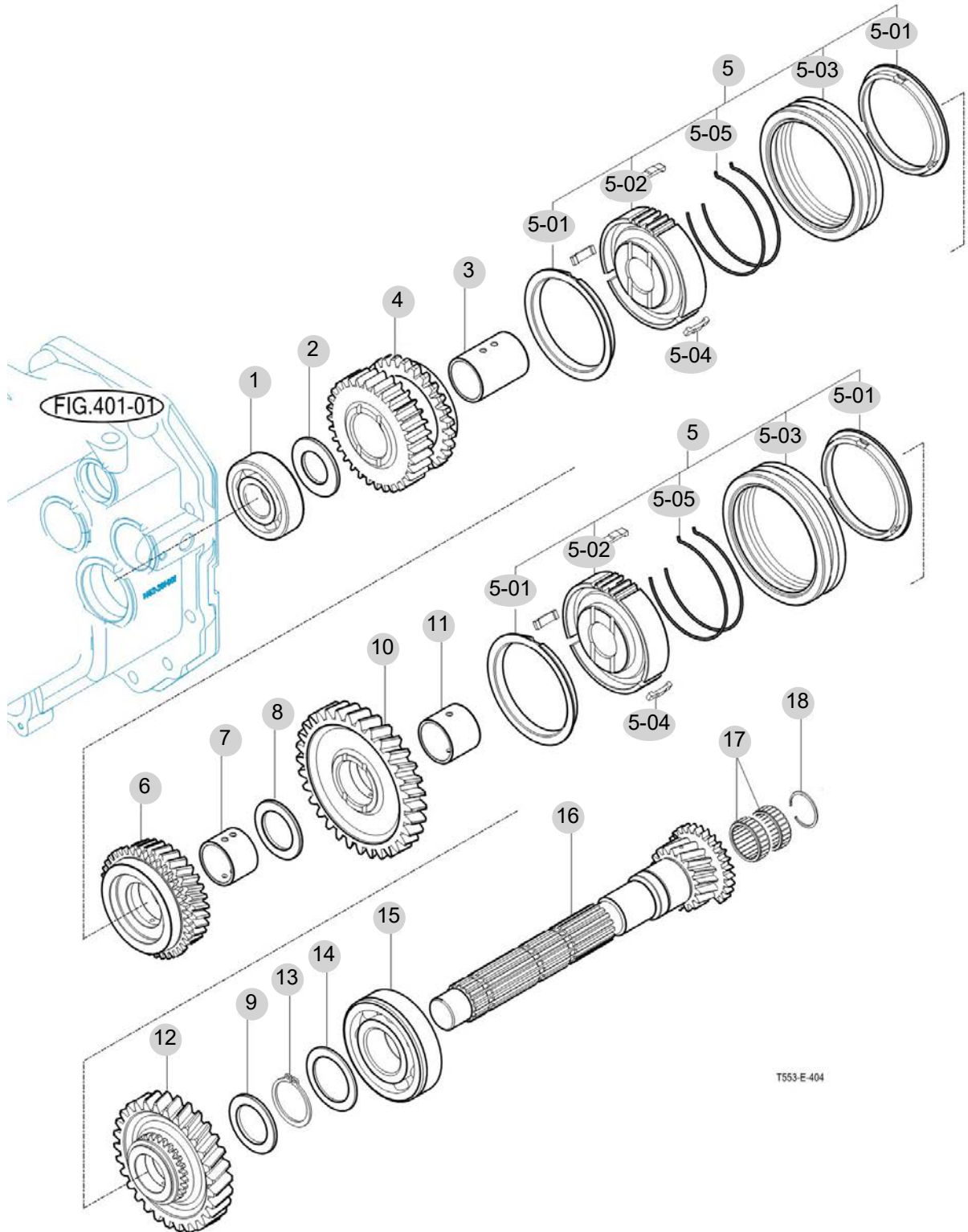
FIG 404

T555STGBC

MAIN SHIFT GEARS

년/월
Year/Month

2022-12



NOTE

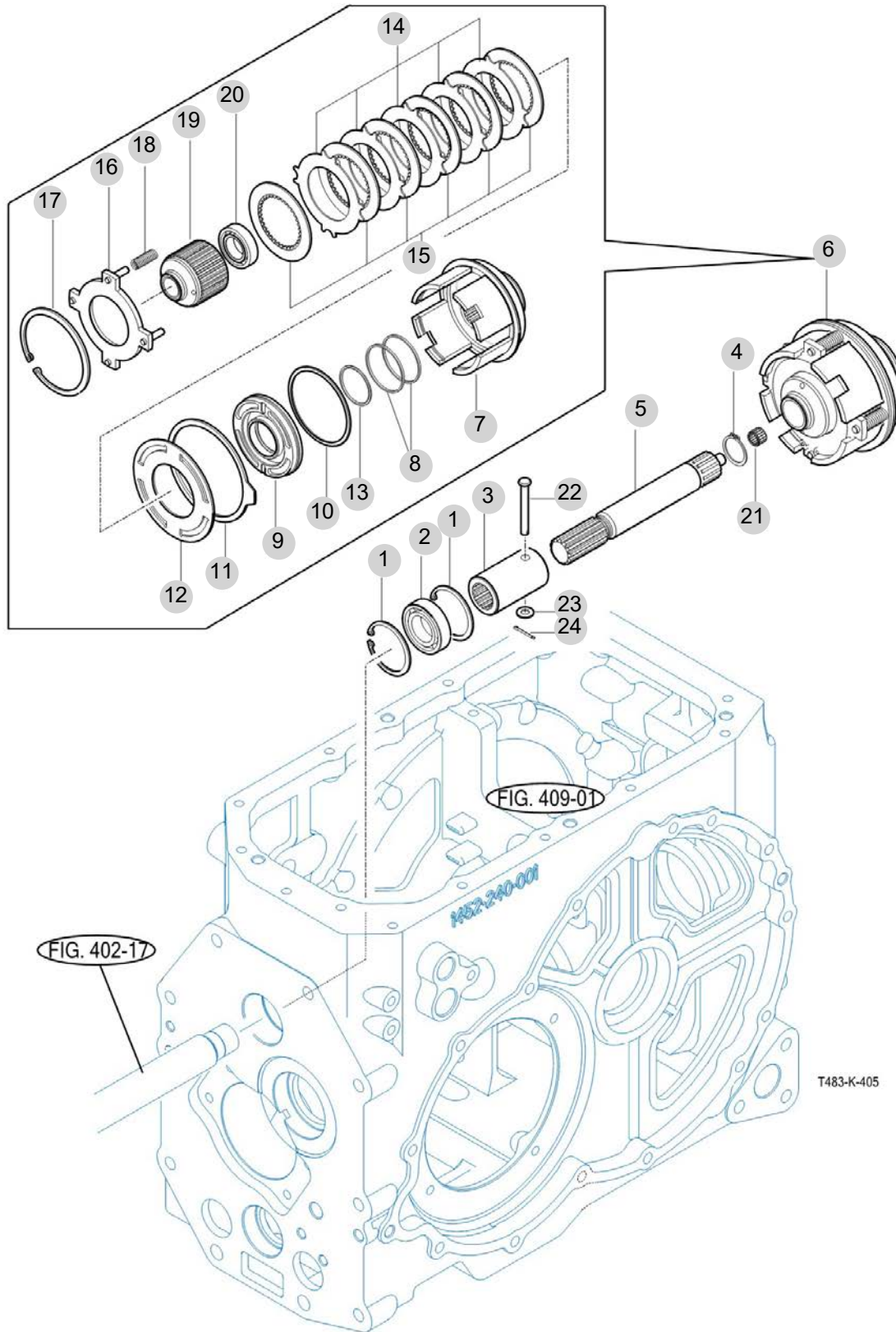
FIG 405

P.T.O DRIVE SHAFT

년/월
Year/Month

2022-12

T555STGBC



NOTE

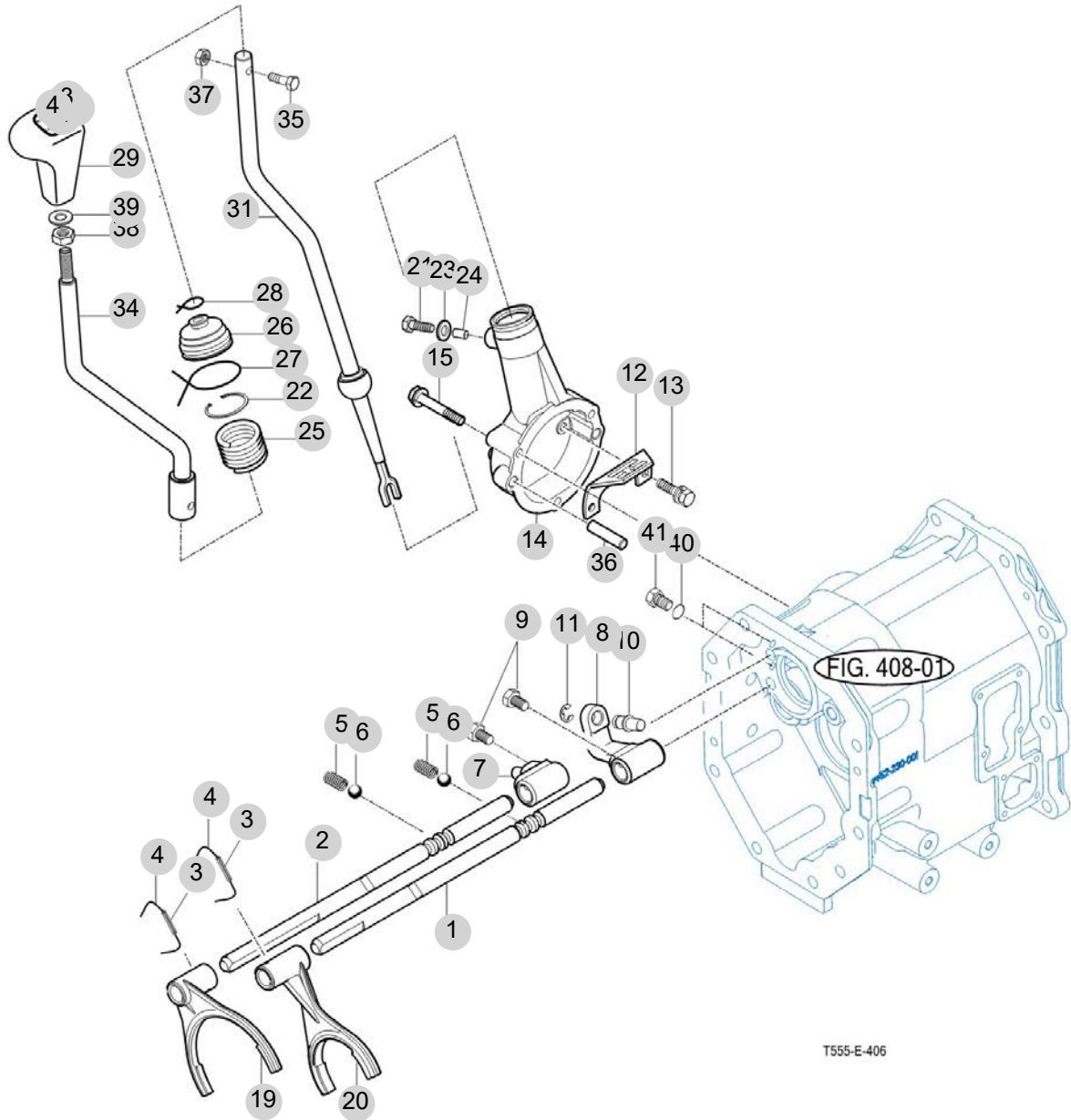
FIG 406

MAIN CHANGE LEVER

년/월
Year/Month

2022-12

T555STGBC



T555-E-406

NOTE

FIG 406 T555STGBC		MAIN CHANGE LEVER						년/월 Year/Month
								2022-12
KEY NO		PART NO	DESCRIPTION	SPEC	QTY	REPAIR	EFFECTIVE DATE	REMARKS
406	1	14522230062	스태이(시프터/1-2)		1			
406	2	14522230053	스태이(시프터/3-4)		1			
406	3	V5801406025	스프링핀	6X25	2			
406	4	V5901010150	철선	1.0X150	2			
406	5	13022250030	시프터스프링	D=1.4	2			
406	6	V6802000010	강구		2			
406	7	15642230043M	링크(소)		1			
406	8	15642230033M	링크(대)		1			
406	9	15602231600	볼트(셋트/휠록M8X16)	M8X16	2			
406	9	15602231610	볼트(셋트/M8X16)		1			
406	10	15602230124	핀(10X28)		1			
406	11	V7081400070	E형멈춤링		1			
406	12	15602230074	가이드	T=3.5	1			
406	13	V2173608016	소형육각볼트보통(S)	M8X16	2			
406	14	15612230027M	메탈(메인)		1			
406	15	V2173608050	소형육각볼트보통(S)	M8X50	3			
406	19	14522230022M	포크(시프터,3-4)		1			
406	20	15162230010M	포크(시프터,1-2)		1			
406	21	16007060020	볼트(드레인)	M8X12XP1.25	1			
406	22	V7051400320	C형멈춤링(구멍용)	32	1			
406	23	15602230085	щі		1			
406	24	V5201006016	평행핀(A)	6X16	1			
406	25	15602900063	스프링(C020)	D=2.6	1			
406	26	14442180090	변속레버부츠		1			
406	27	V5901010180	철선	1.0X180	1			
406	28	V5901010070	철선	1.0X70	1			
406	29	14522810072	그립, 주변속		1			
406	31	14522912001	레버COMP(시프터/메인)		1			
406	34	14522913101GB	레버COMP(바/16)		1			
406	35	V2013608035	소형육각볼트(보통)	M8X35	1			
406	36	V5201010022	평행핀(A)	10X22	2			
406	37	V3042600080	소형육각너트보통2종	M8	1			
406	38	V3342600100	소형육각너트가늘2종	M10	1			
406	39	V4111600100	평와셔	M10	1			
406	40	V7201019008	O링(P)	P8	2			
406	41	14522081550	볼트	M10XP1.5	2			
NOTE								

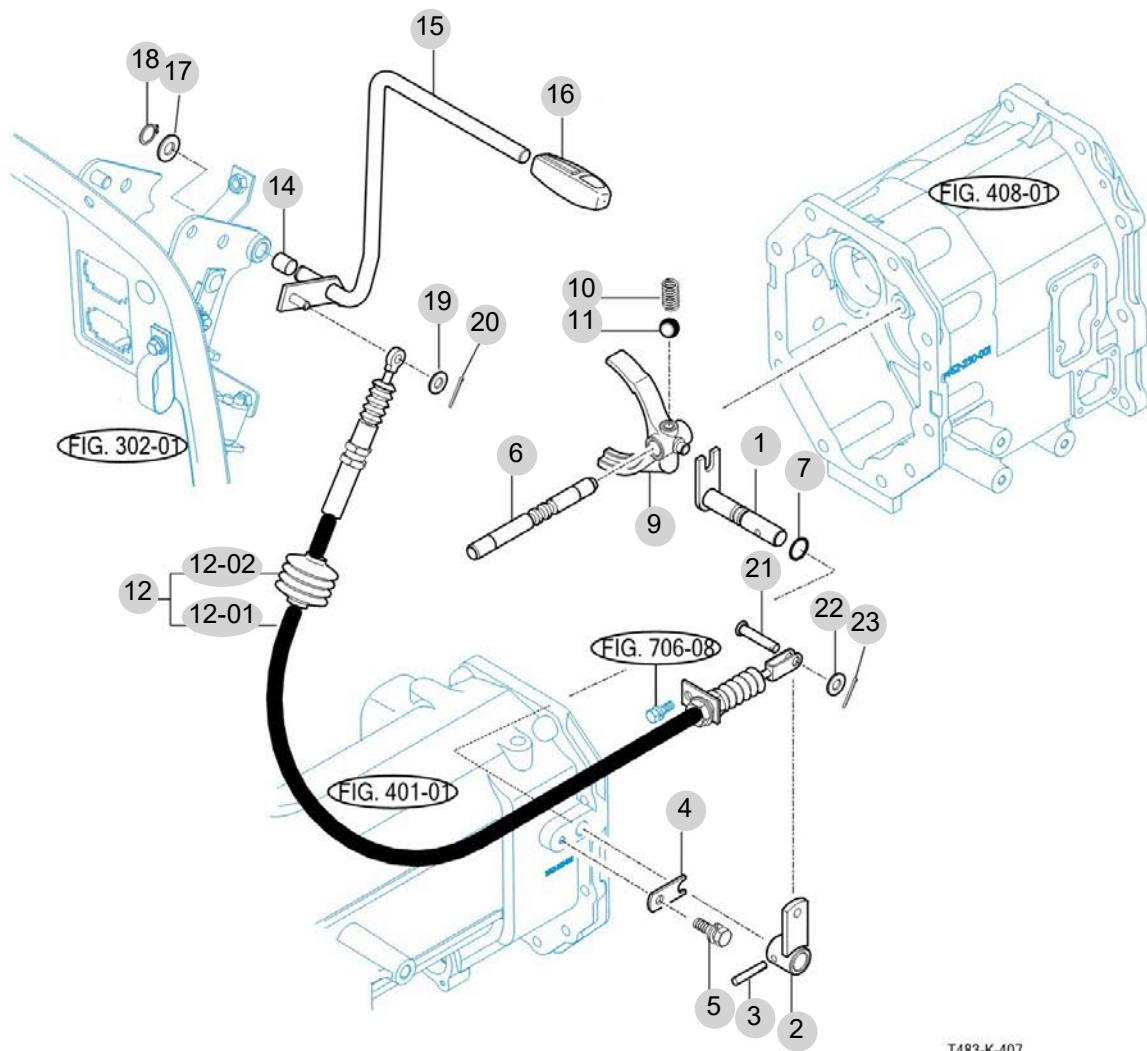
FIG 407

REVERSE CHANGE LEVER

년/월
Year/Month

2022-12

T555STGBC



T483-K-407

NOTE

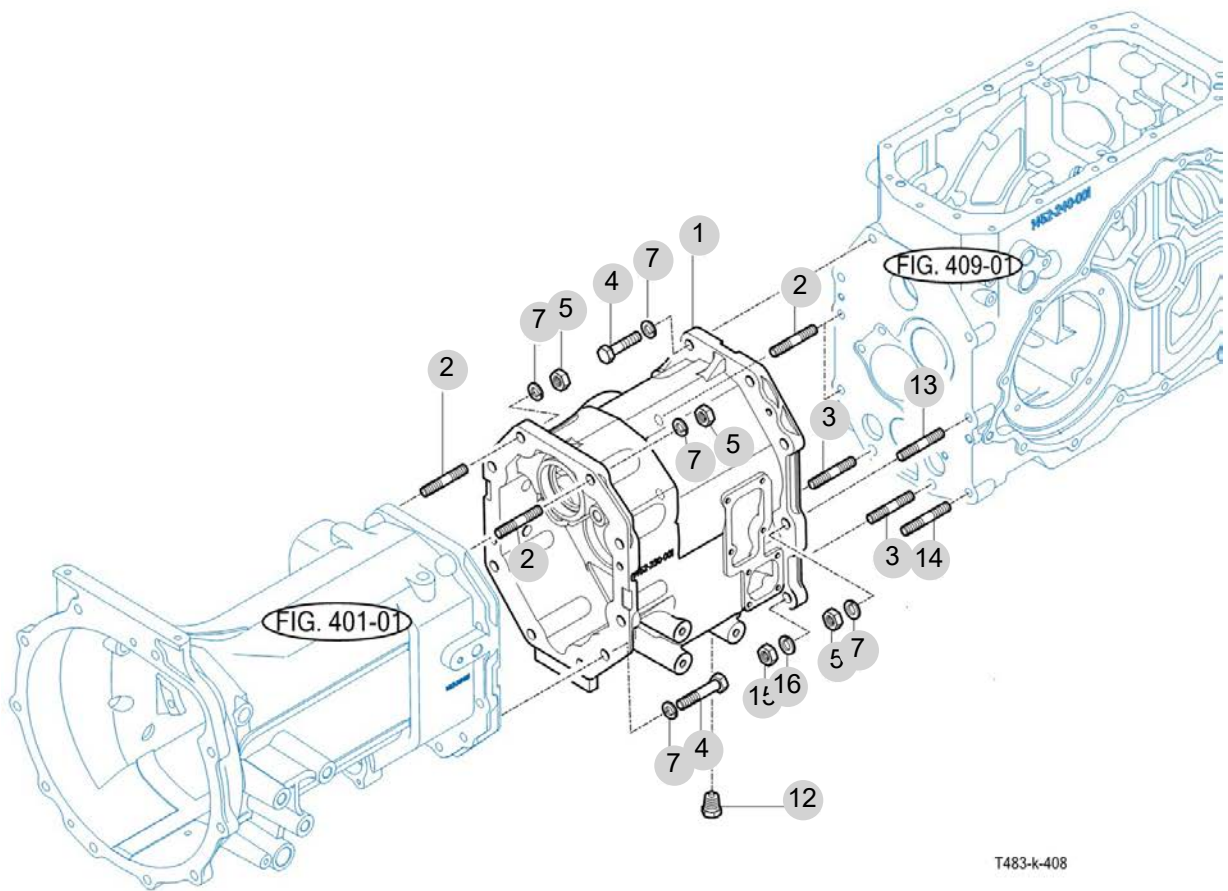
FIG 408

T555STGBC

TRANSMISSION MID CASE

년/월
Year/Month

2022-12



T483-k-408

NOTE

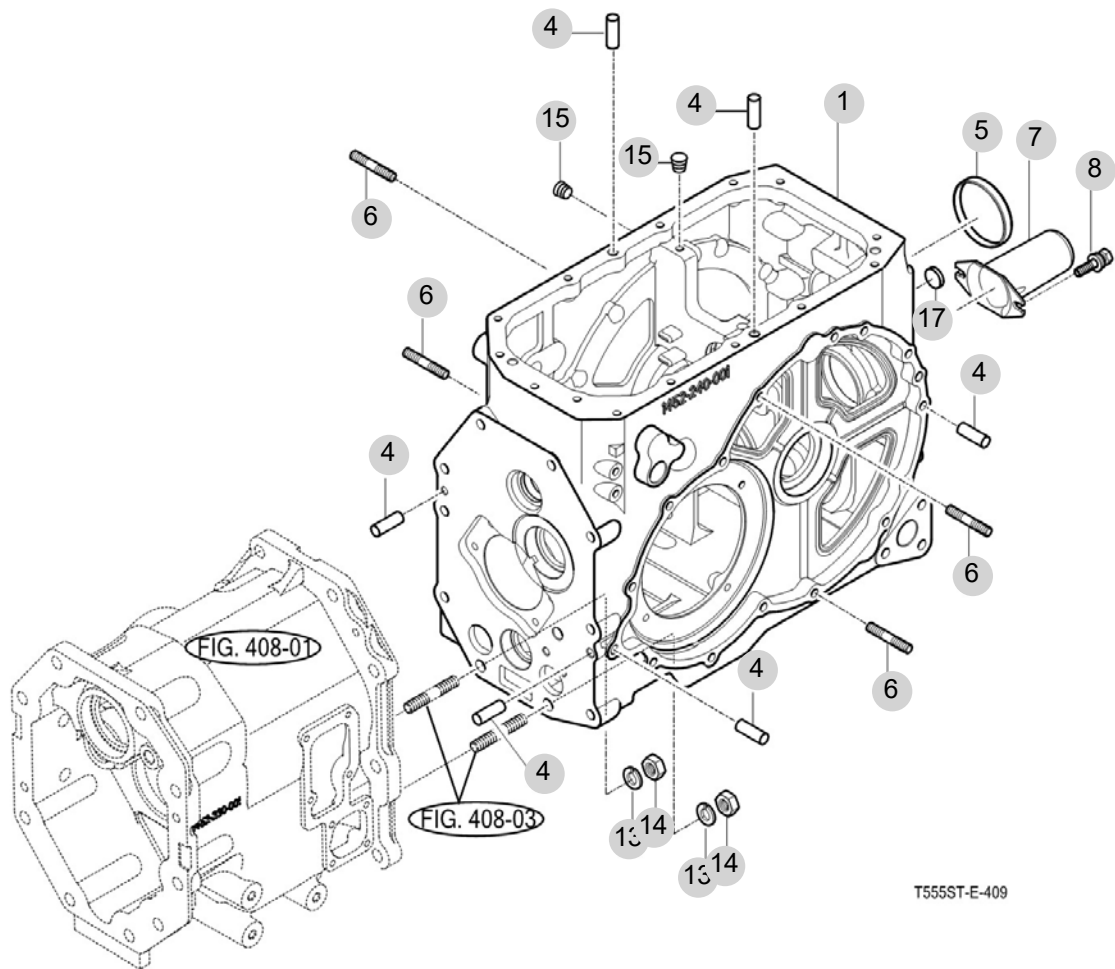
FIG 409

TRANSMISSION REAR CASE

년/월
Year/Month

2022-12

T555STGBC



T555ST-E-409

NOTE

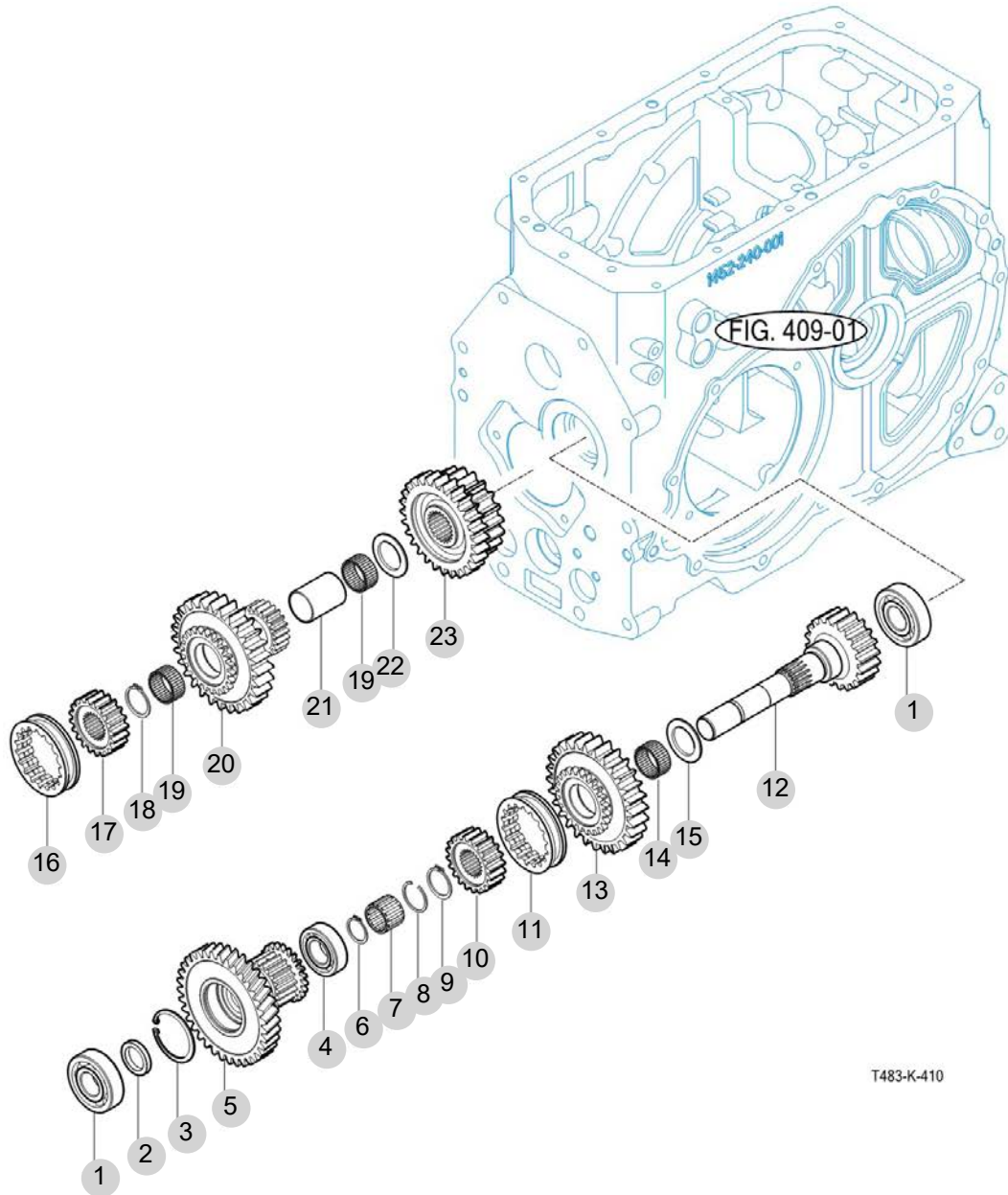
FIG 410

SUB CHANGE GEARS

년/월
Year/Month

2022-12

T555STGBC



T483-K-410

NOTE

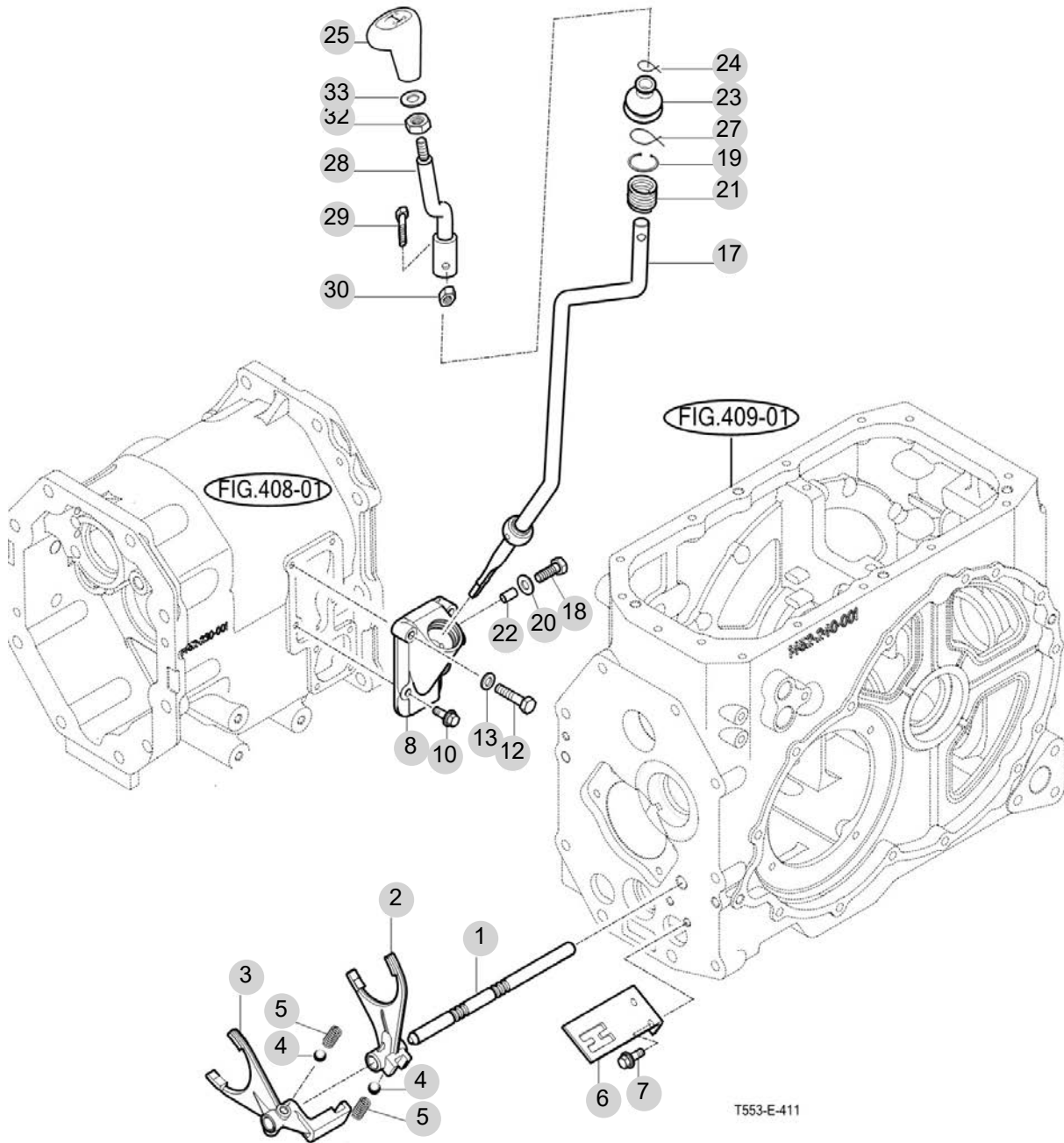
FIG 411

SUB CHANGE SHIFTER

년/월
Year/Month

2022-12

T555STGBC



NOTE

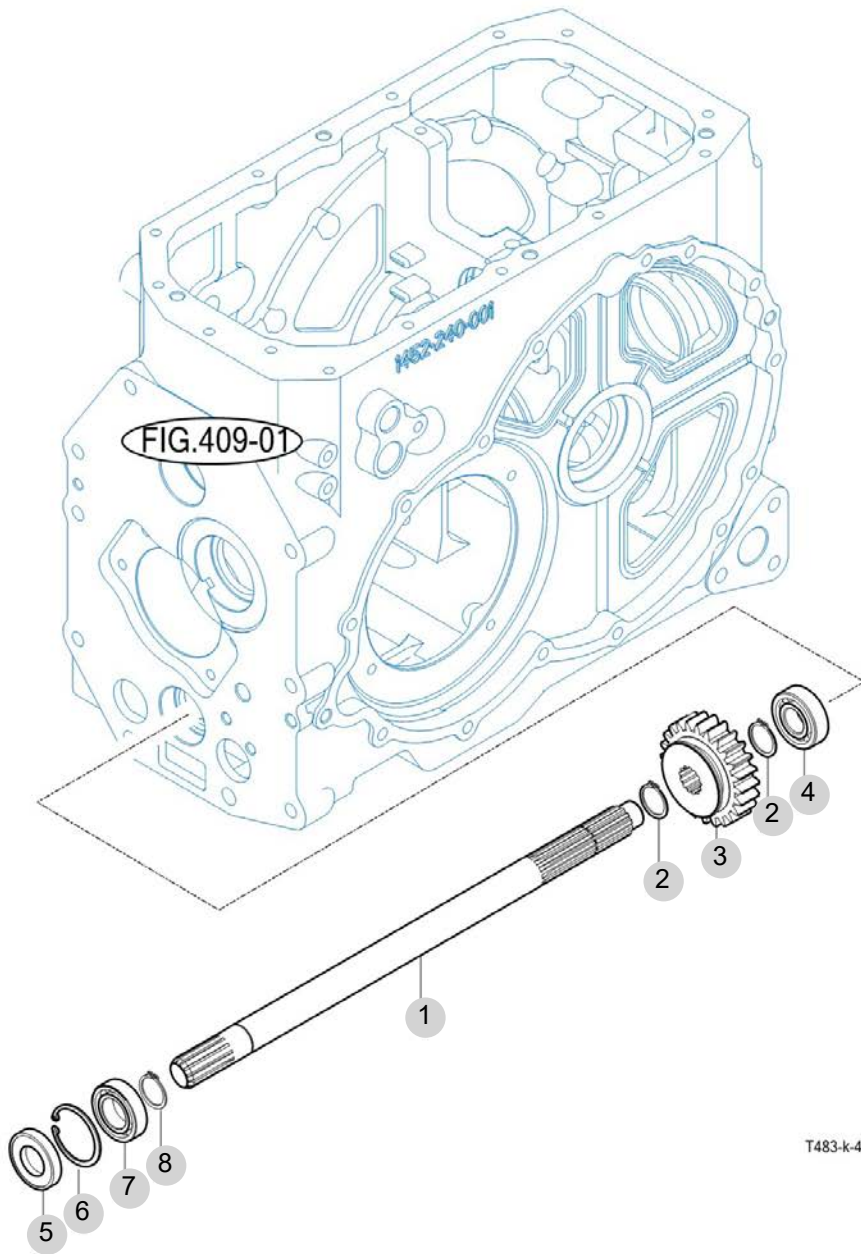
FIG 413

DRIVE GEARS

년/월
Year/Month

2022-12

T555STGBC



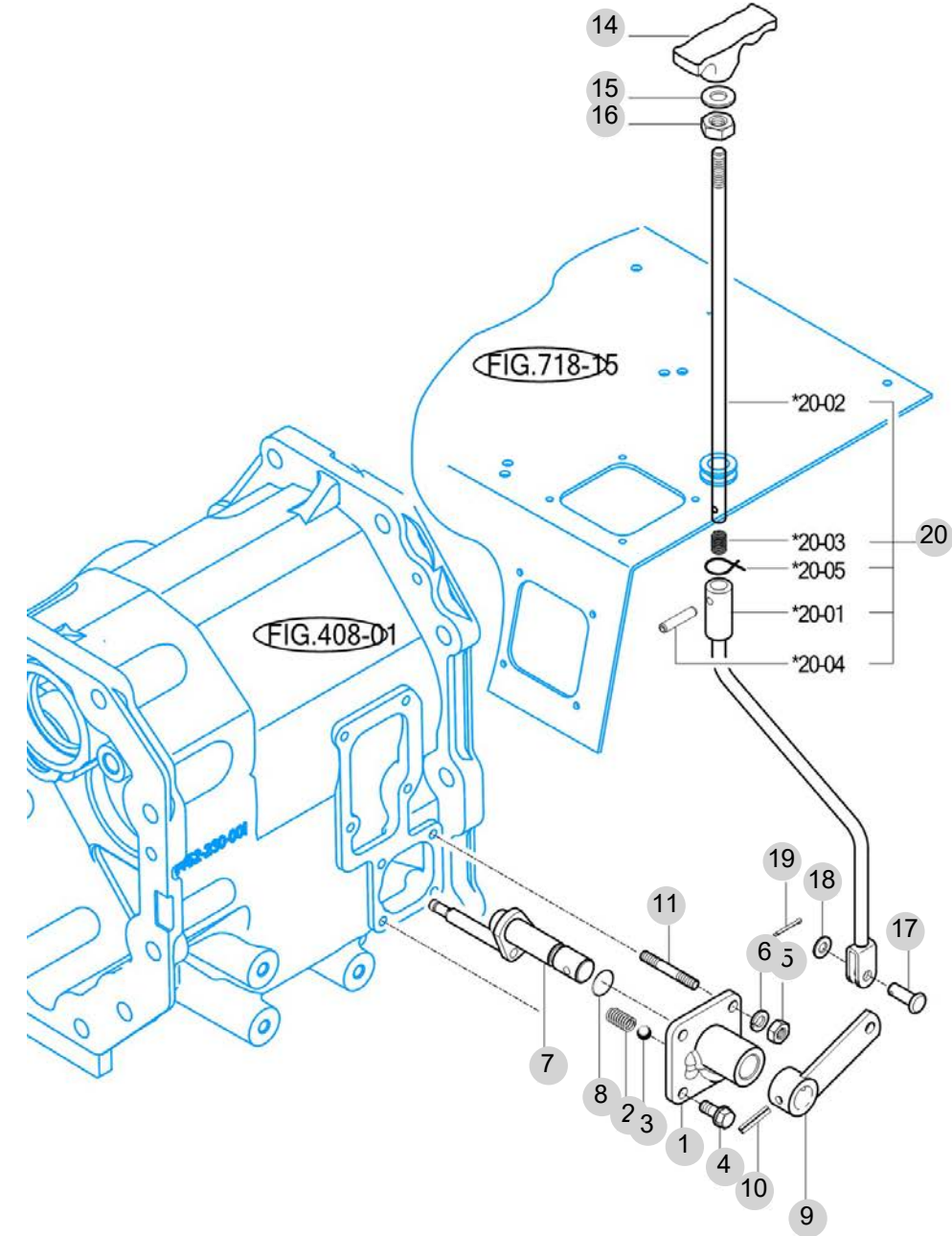
NOTE

FIG 414

4WD CHANGE LEVER

년/월
Year/Month

2022-12



*NOT SERVICED SEPARATELY

T483-E-414A

NOTE

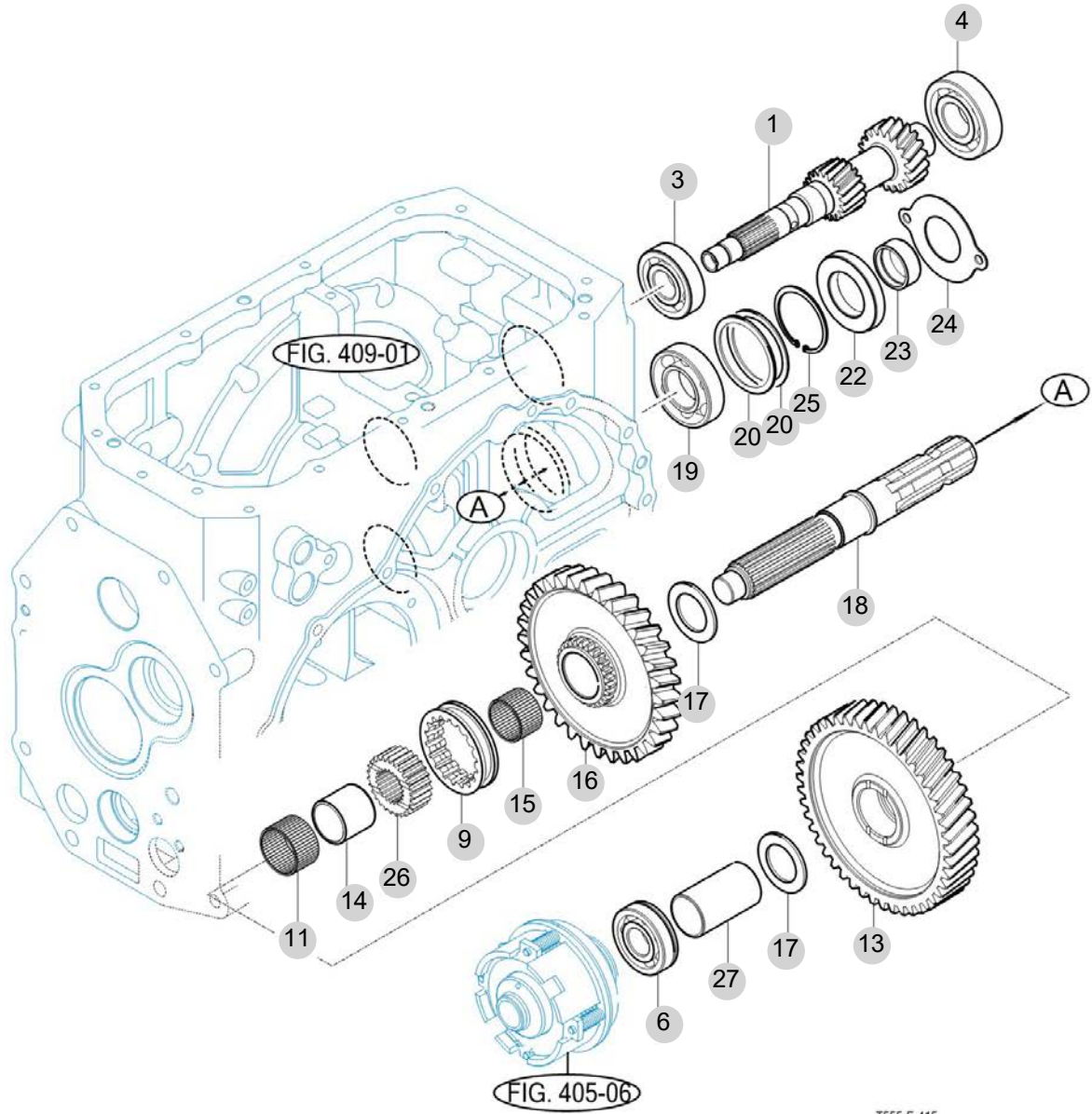
FIG 415

T555STGBC

P.T.O CHANGE GEARS

년/월
Year/Month

2022-12



NOTE

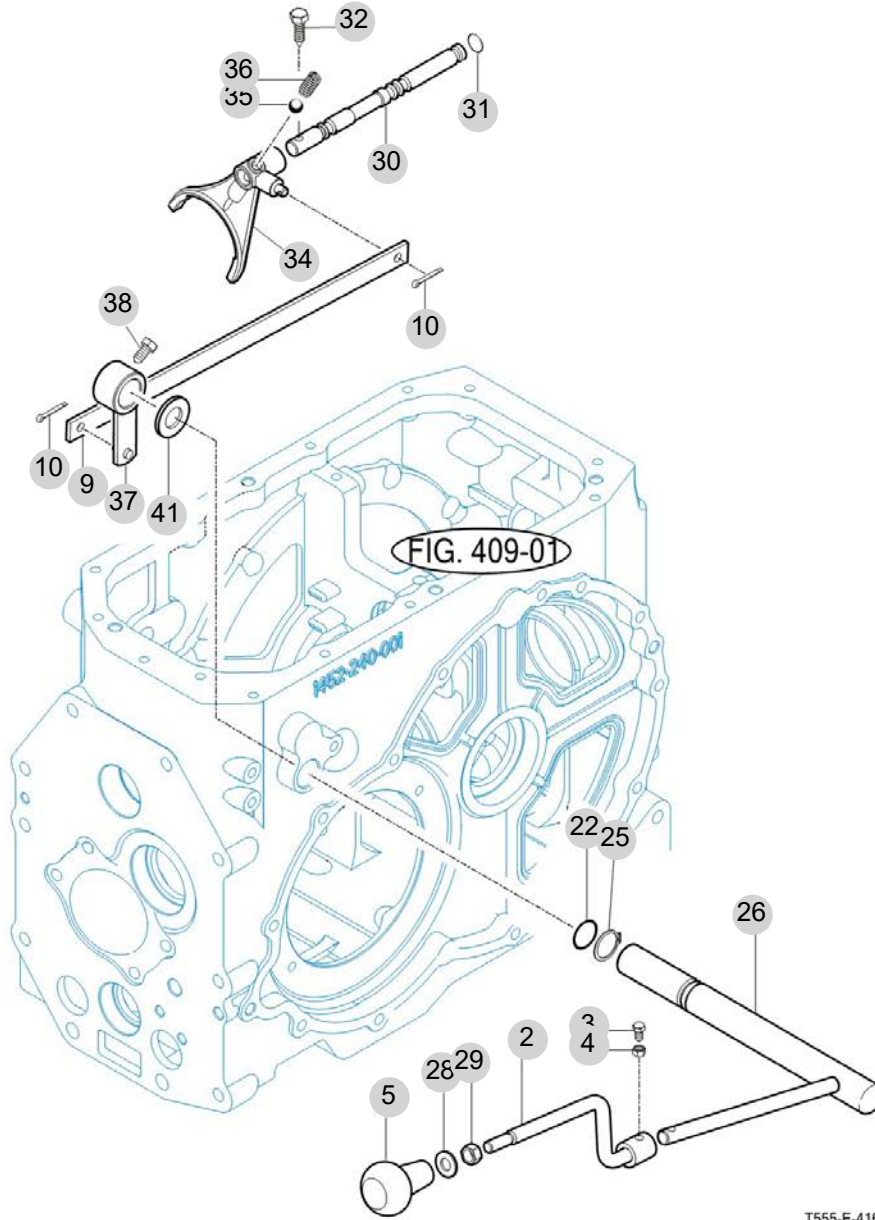
FIG 416

T555STGBC

P.T.O CHANGE SHIFTER

년/월
Year/Month

2022-12



NOTE

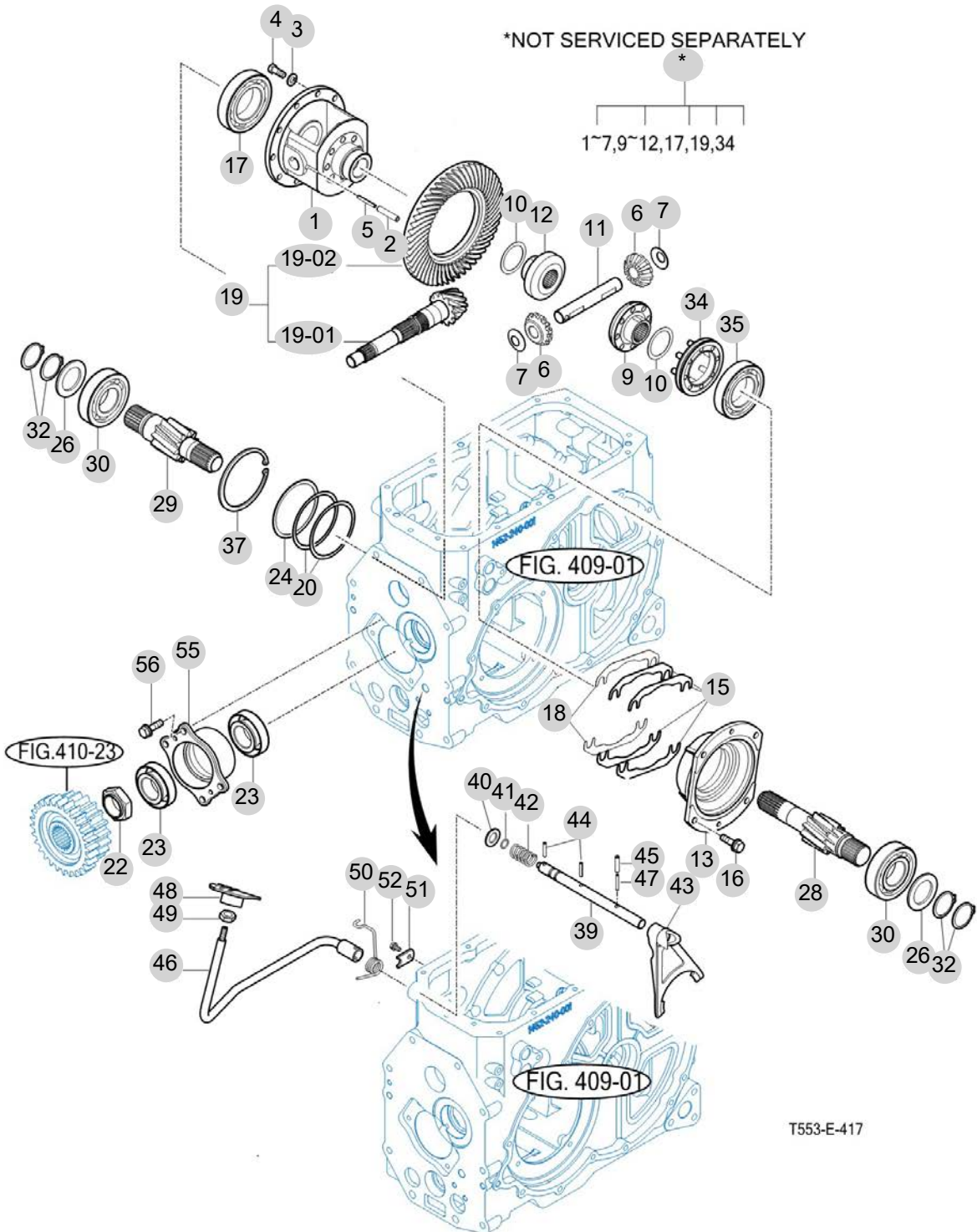
FIG 417

REAR DIFFERENTIAL GEARS

년/월
Year/Month

2022-12

T555STGBC



T553-E-417

NOTE

FIG 417 T555STGBC		REAR DIFFERENTIAL GEARS					년/월 Year/Month	
							2022-12	
KEY NO	PART NO	DESCRIPTION	SPEC	QTY	REPAIR	EFFECTIVE DATE	REMARKS	
417	0	14523031001	리어차동장치(47PS)ASSY			1		
417	1	14523030010M	케이스(디프)			1		
417	2	V5801408040	스프링핀	8X50		1		
417	3	V4011600100	스프링와셔	M10		10		
417	4	V2024610025	소형육각볼트(가는)	M10X25		10		
417	5	V5801405036	스프링핀	5X36		1		
417	6	14523180041	피니언(차동)			2		
417	7	14523030080	칼라(피니언)	T=1.0		2		
417	9	14523180061	피니언(베벨/16 LH)			1		
417	10	14523030100	와셔(스러스트)	D=52.5		2		
417	11	14523030110	디프피니언샤프트	D=23		1		
417	12	14523180031	피니언(베벨/16 RH)			1		
417	13	14523030131M	메탈(LH/디프케이스)			1		
417	15	14523010090	심(B)	T=0.2		4		
417	16	V2173610025	소형육각볼트보통(S)	M10X25		4		
417	17	V6001106212	볼베어링	6212		1		
417	18	14523010080	심(A)	T=0.1		2		
417	19	14523022100	기어(10X41)SET			1		
417	19-01	14523022111	베벨피니언			1		
417	19-02	14523022120	스파이럴베벨기어			1		
417	20	14523010050	심(0.1)	T=0.1		2		
417	22	15533030020	너트(M40XP1.5)			1		
417	23	V6321132208	테이퍼로올러베어링(보통)	32208CR		2		
417	24	14523010100	심(0.2)	T=0.2		1		
417	26	15133060030	스러스트칼라(45X68X4)			2		
417	28	14523060011	피니언(헬리컬/11/LH)			1		
417	29	14523060021	피니언(헬리컬/11/RH)			1		
417	30	V6041106309	볼베어링(HL1)	HL1		2		
417	32	V7041400450	C형멈춤링(축용)	45		4		
417	34	14523033400	슬리브COMP			1		
417	35	V6001106211	볼베어링	6211		1		
417	37	V7051401100	C형멈춤링(구멍용)	R110		1		
417	39	14523032002	샤프트(디프록)	D=20		1		
417	40	V4111600200	평와셔	M20		1		
417	41	V7201024016	O링(P)	P16		1		
417	42	17973030420	스프링	D=3.6		1		
417	43	14523190011M	포크(디프록)			1		
417	44	V5801406032	스프링핀	6X32		2		
417	45	V5801408036	스프링핀	8X36		1		
417	46	14543162101	디프록페달COMP			1		
417	47	V5801405036	스프링핀	5X36		1		
417	48	14521220120	페달COMP,액셀			1		
417	49	V3342600100	소형육각너트가는2종	M10		1		
417	50	14523160020	스프링(디프 페달)			1		
417	51	16703180191	플레이트	25X4.5T		1		
NOTE								

FIG 417		REAR DIFFERENTIAL GEARS					년/월 Year/Month	
T555STGBC						2022-12		
KEY NO	PART NO	DESCRIPTION	SPEC	QTY	REPAIR	EFFECTIVE DATE	REMARKS	
417	52	V2173608016	소형육각볼트보통(S)	M8X16	1			
417	55	14523020040M	메탈(피니언)		1			
417	56	V2173610020	소형육각볼트보통(S)		4			
NOTE								

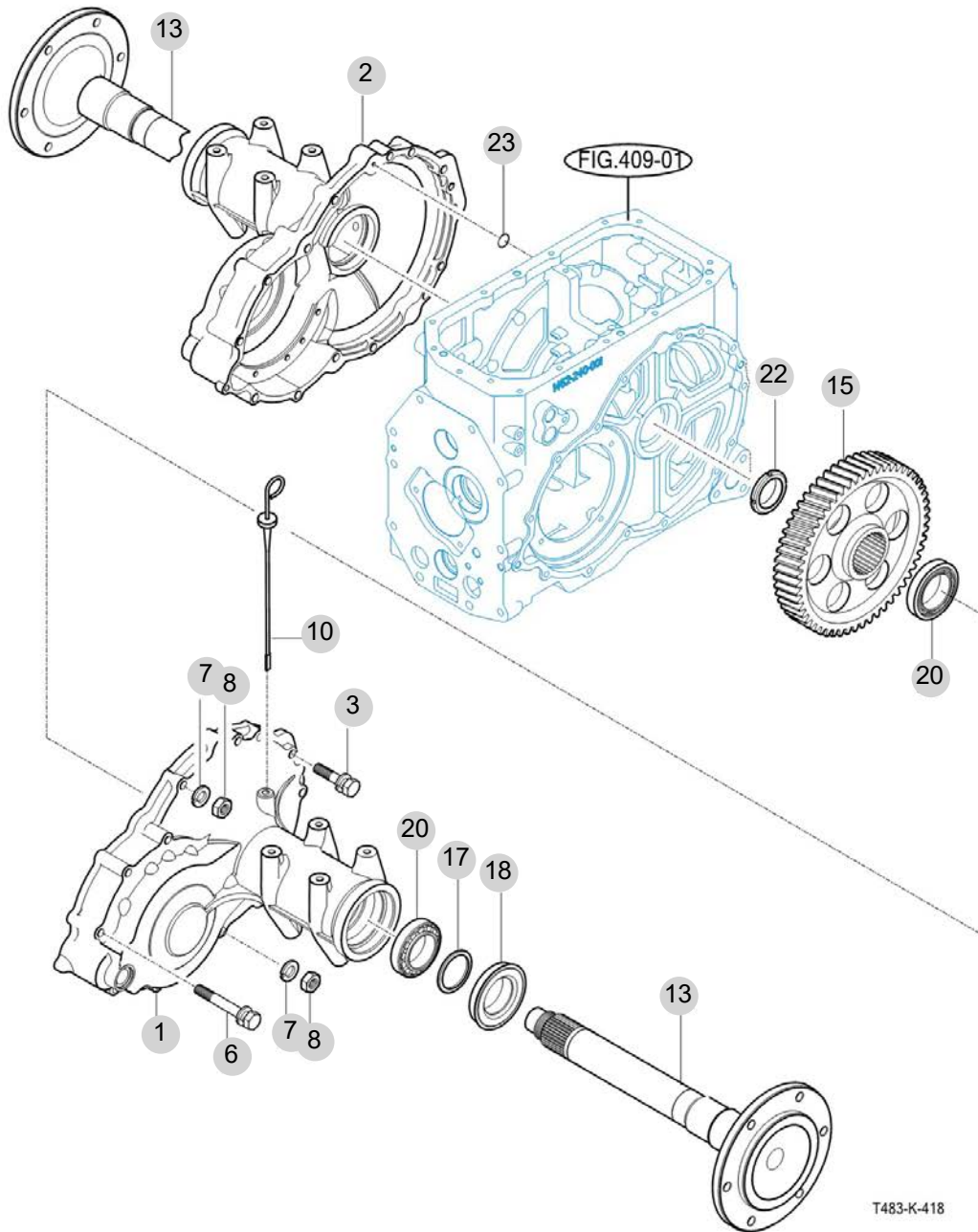
FIG 418

REAR AXLE HOUSING

년/월
Year/Month

2022-12

T555STGBC



NOTE

5. 프런트 액슬 PART NO. T5

FIG 501 FRONT AXLE SUPPORT	131
FIG 502 FRONT DRIVE SHAFT	133
FIG 503 FRONT AXLE HOUSING	135
FIG 504 FRONT DIFFERENTIAL GEARS	137
FIG 505 FRONT GEAR CASE (1)	139
FIG 506 FRONT GEAR CASE (2)	141
FIG 507 FRONT GEAR CASE (3)	143

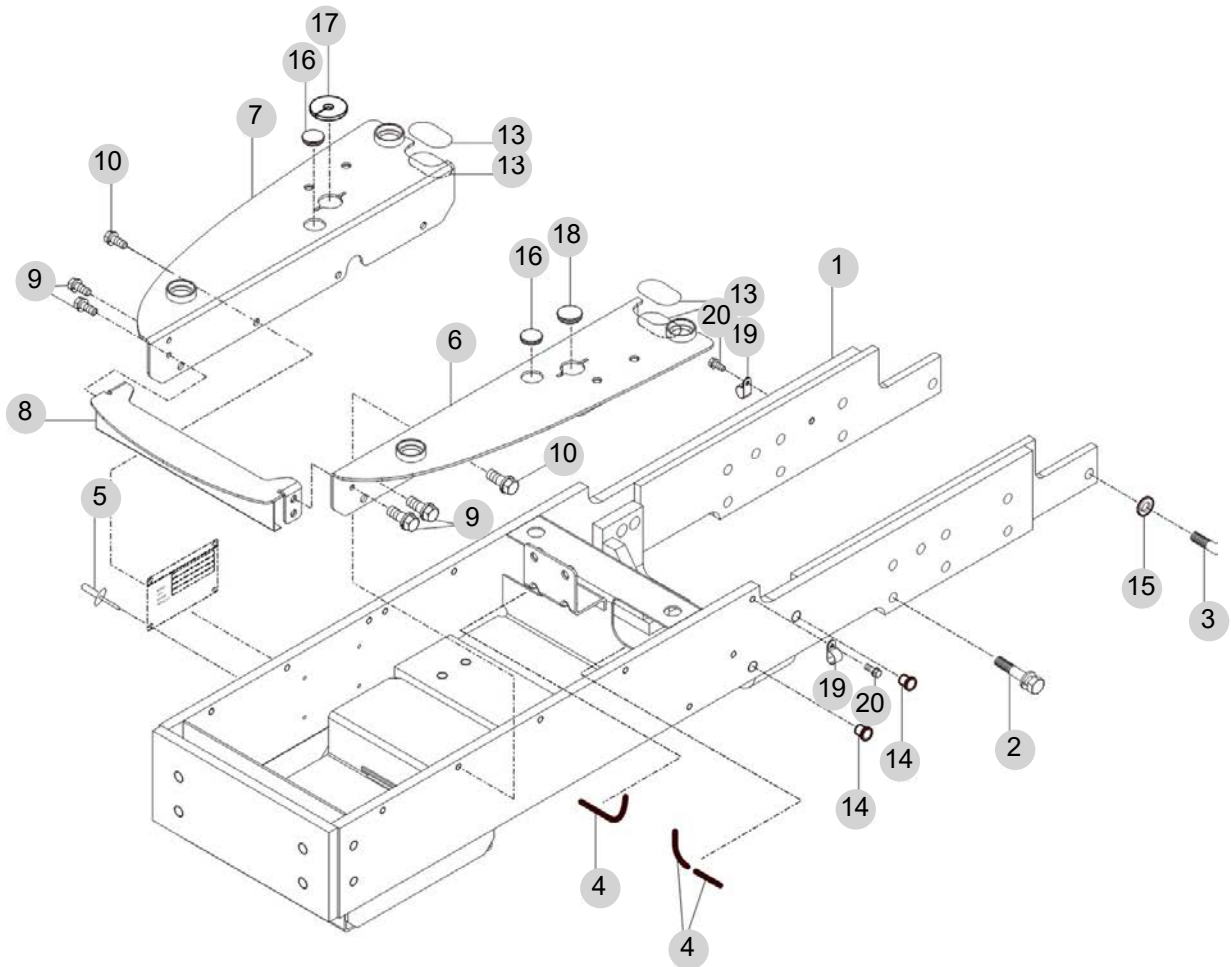
FIG 501

FRONT AXLE SUPPORT

년/월
Year/Month

2022-12

T555STGBC



NOTE

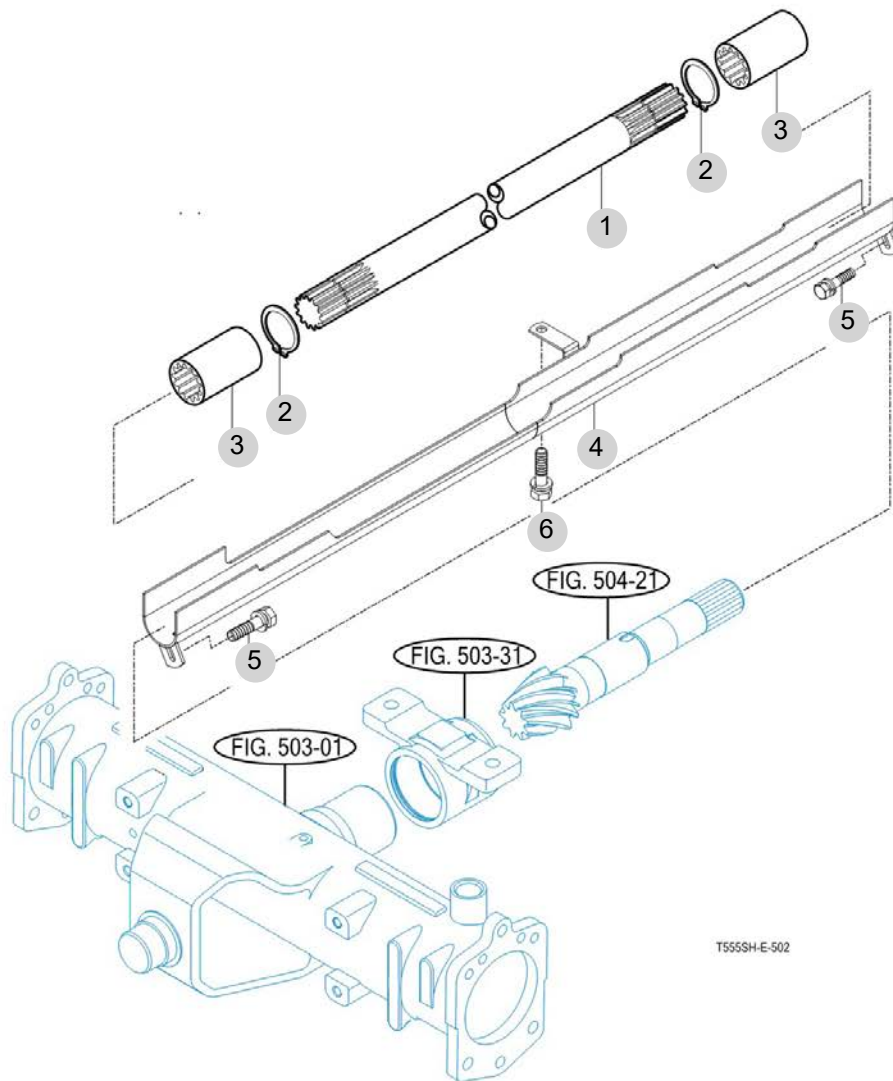
FIG 502

T555STGBC

FRONT DRIVE SHAFT

년/월
Year/Month

2022-12



T555SH-E-502

NOTE

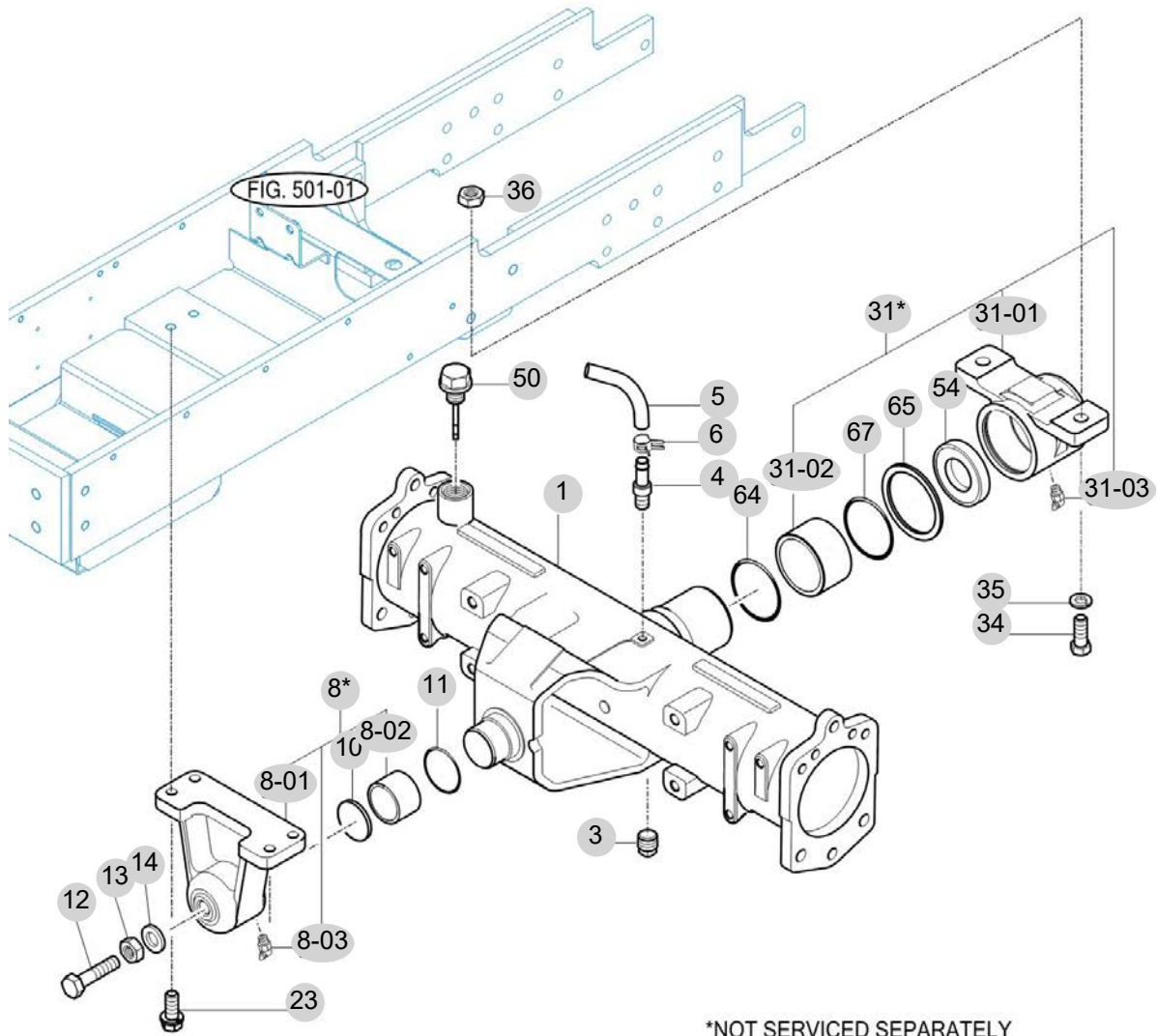
FIG 503

FRONT AXLE HOUSING

년/월
Year/Month

2022-12

T555STGBC



T554454-E-503

NOTE

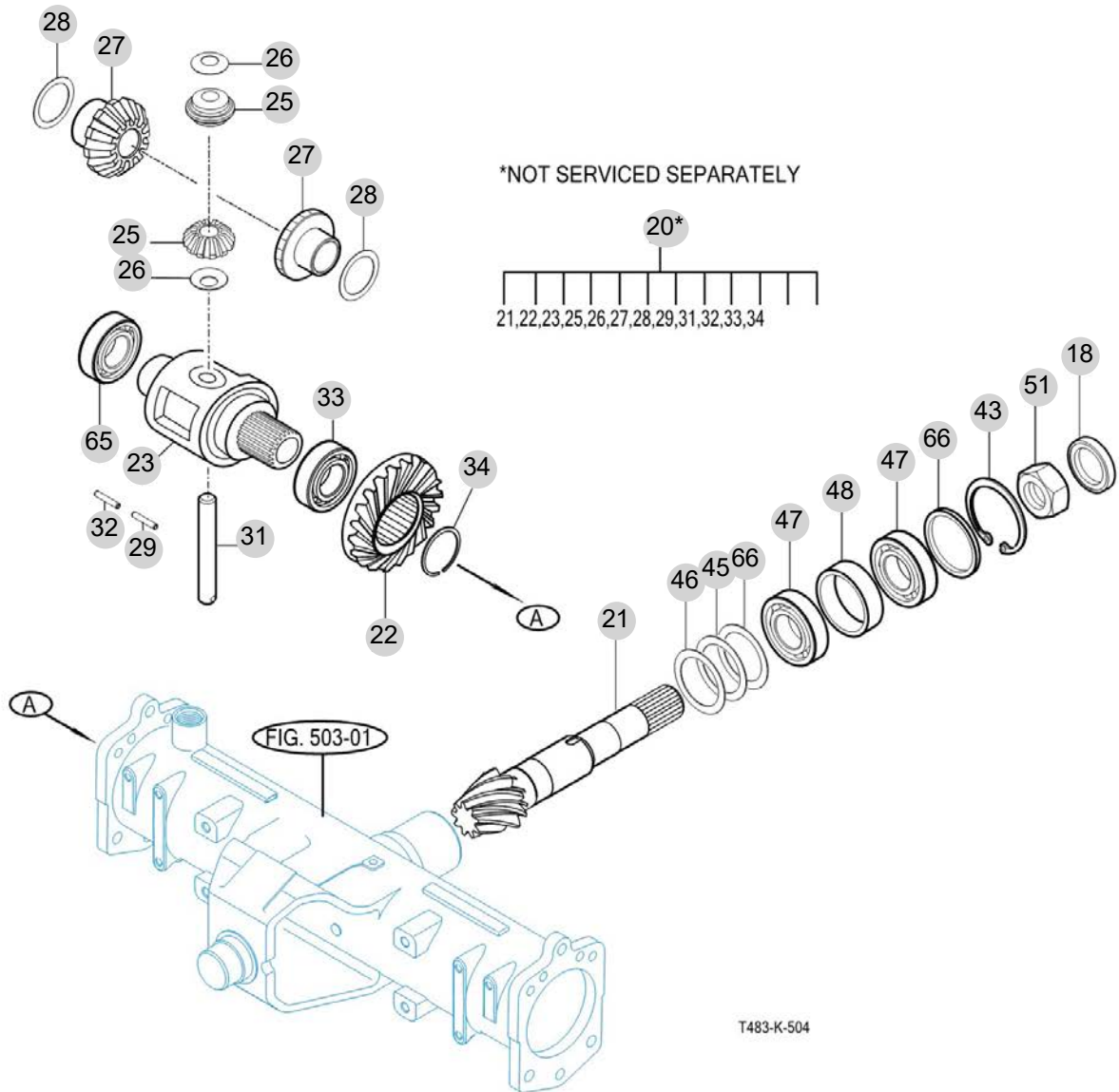
FIG 504

FRONT DIFFERENTIAL GEARS

년/월
Year/Month

2022-12

T555STGBC



NOTE

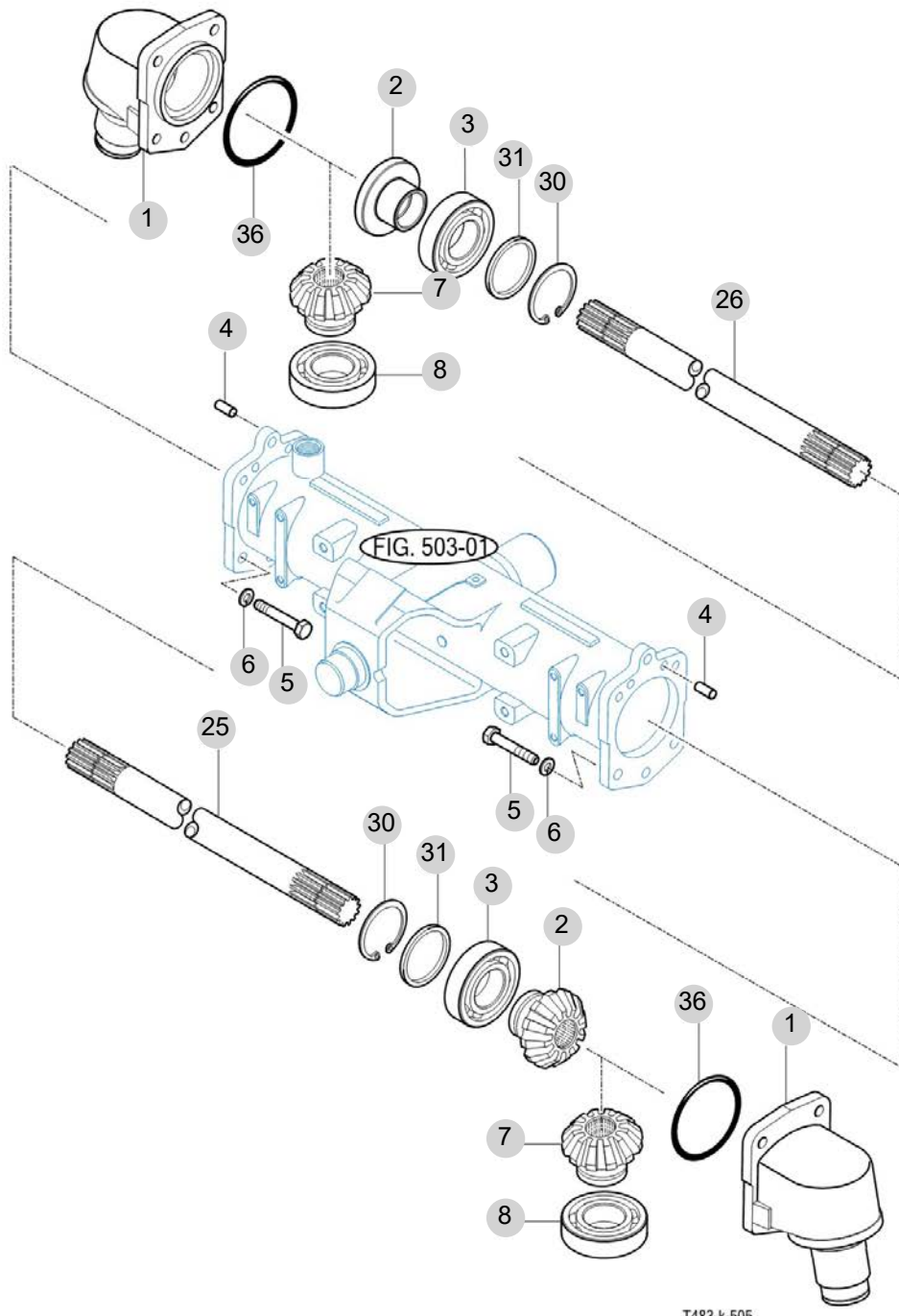
FIG 505

T555STGBC

FRONT GEAR CASE (1)

년/월
Year/Month

2022-12



NOTE

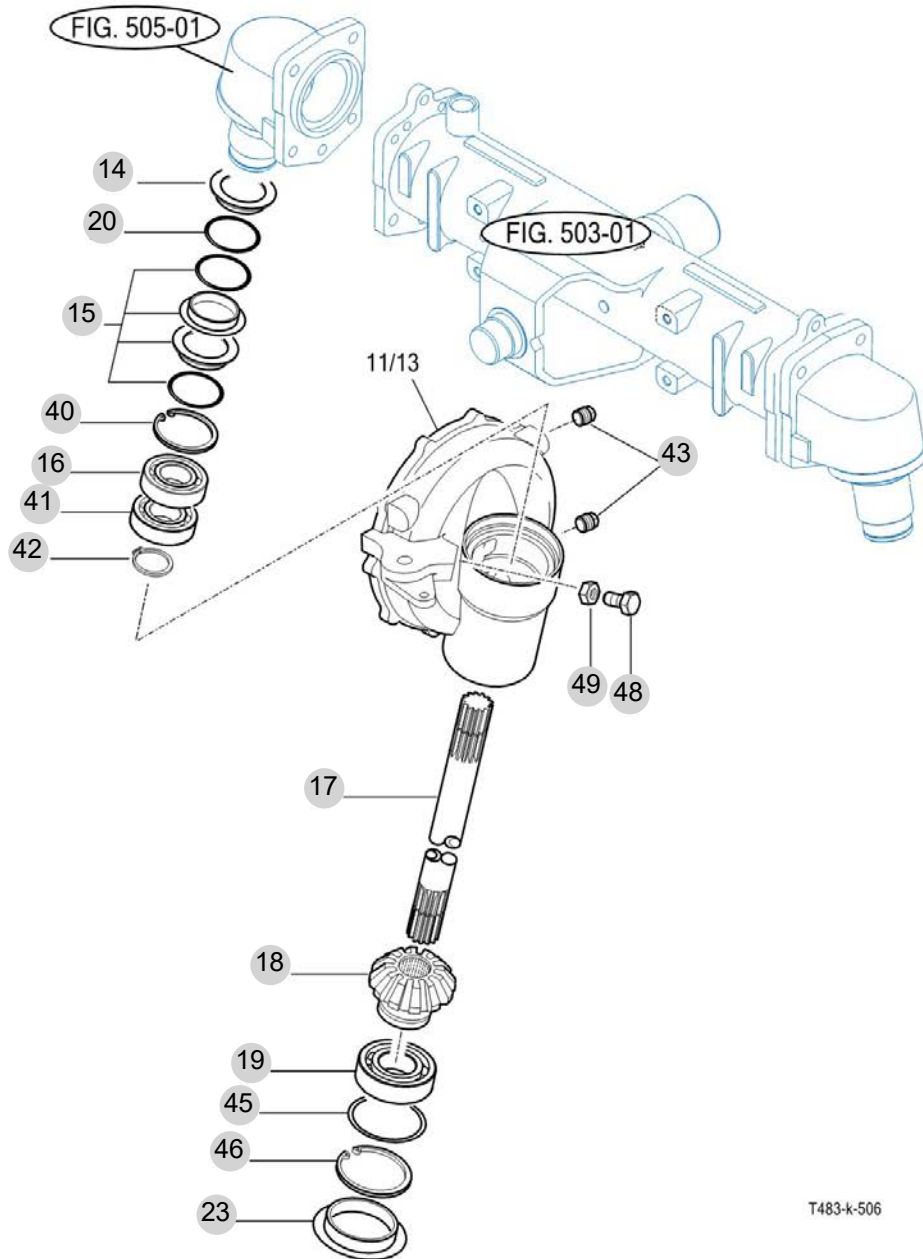
FIG 506

T555STGBC

FRONT GEAR CASE (2)

년/월
Year/Month

2022-12



T483-k-506

NOTE

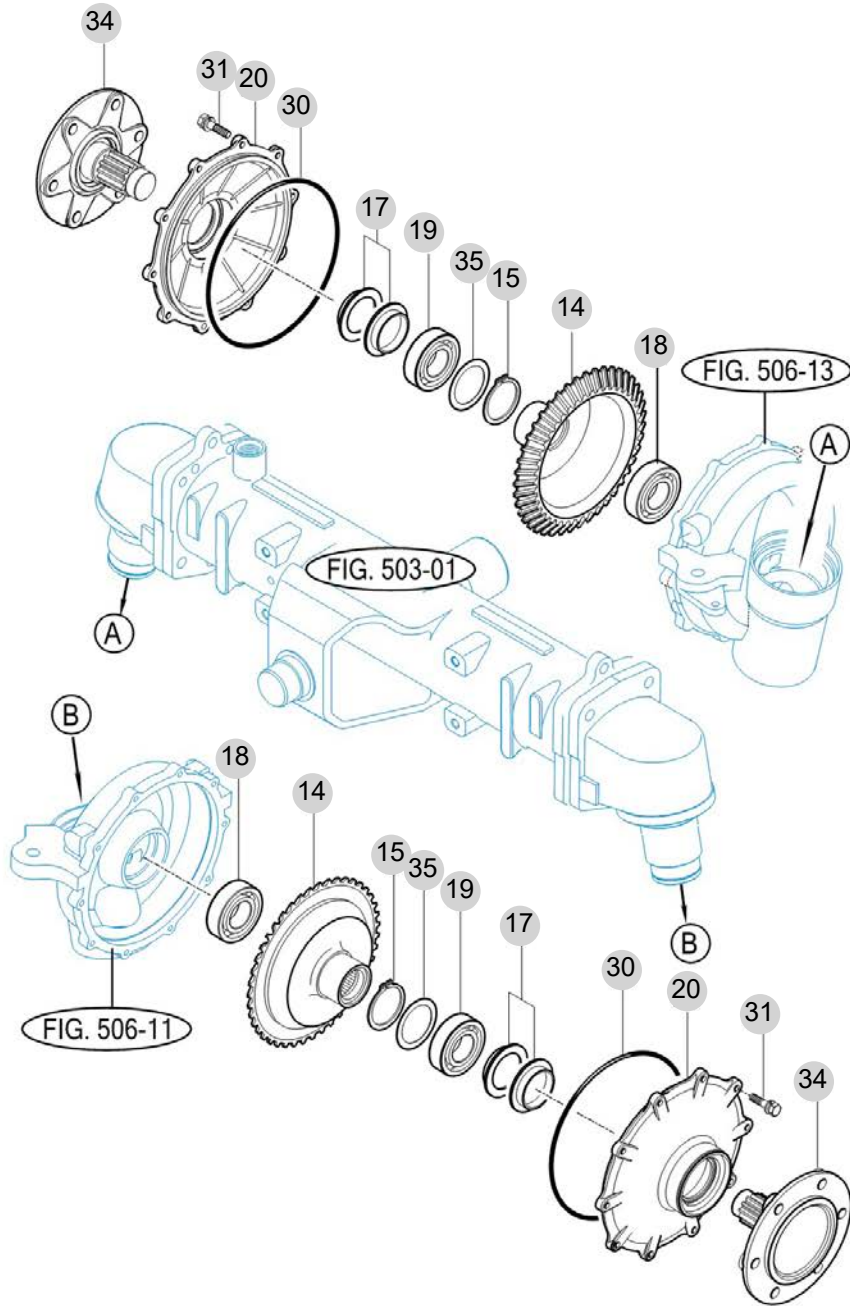
FIG 507

T555STGBC

FRONT GEAR CASE (3)

년/월
Year/Month

2022-12



T483-k-507

NOTE

FIG 507 T555STGBC		FRONT GEAR CASE (3)					년/월 Year/Month	
							2022-12	
KEY NO		PART NO	DESCRIPTION	SPEC	QTY	REPAIR	EFFECTIVE DATE	REMARKS
507	14	16734340080	베벨기어(38)		2			
507	15	V7041400500	C형멈춤링(축용)	50	2			
507	17	16004340040	플로팅씰		2			
507	18	V6041106208	볼베어링(HL1)	6208HL1	2			
507	19	V6041106210	볼베어링(HL1)	6210HL1	2			
507	20	16704340130M	휠샤프트커버		2			
507	30	16704340150	O-링		2			
507	31	V2173608025	소형육각볼트보통(S)	M8X25	20			
507	34	16704340070	샤프트(휠)		2			
507	35	16709510081	와셔(50X67X2)		2			
507	35	16709510080	와셔(50X60X2)		2			
507	35	16709510081	와셔(50X67X2)		2			
NOTE								

6. 유압/3점링크 PART NO. T6

FIG 601 CYLINDER CASE	146
FIG 602 LIFT ARM	148
FIG 603 CYLINDER	150
FIG 604 POSITION LINK	152
FIG 605 CONTROL VALVE	154
FIG 606 DRAFT LINK	156
FIG 607 POSITION & DRAFT LEVER	158
FIG 608 EXTERIOR HYD.VALVE	160
FIG 609 HYDRAULIC PIPE	162
FIG 610 JOYSTICK	165
FIG 611 HYDRAULIC HOSE	167
FIG 612 HITCH & 3-POINT LINK	169
FIG 613 HITCH & 3-POINT LINK	172

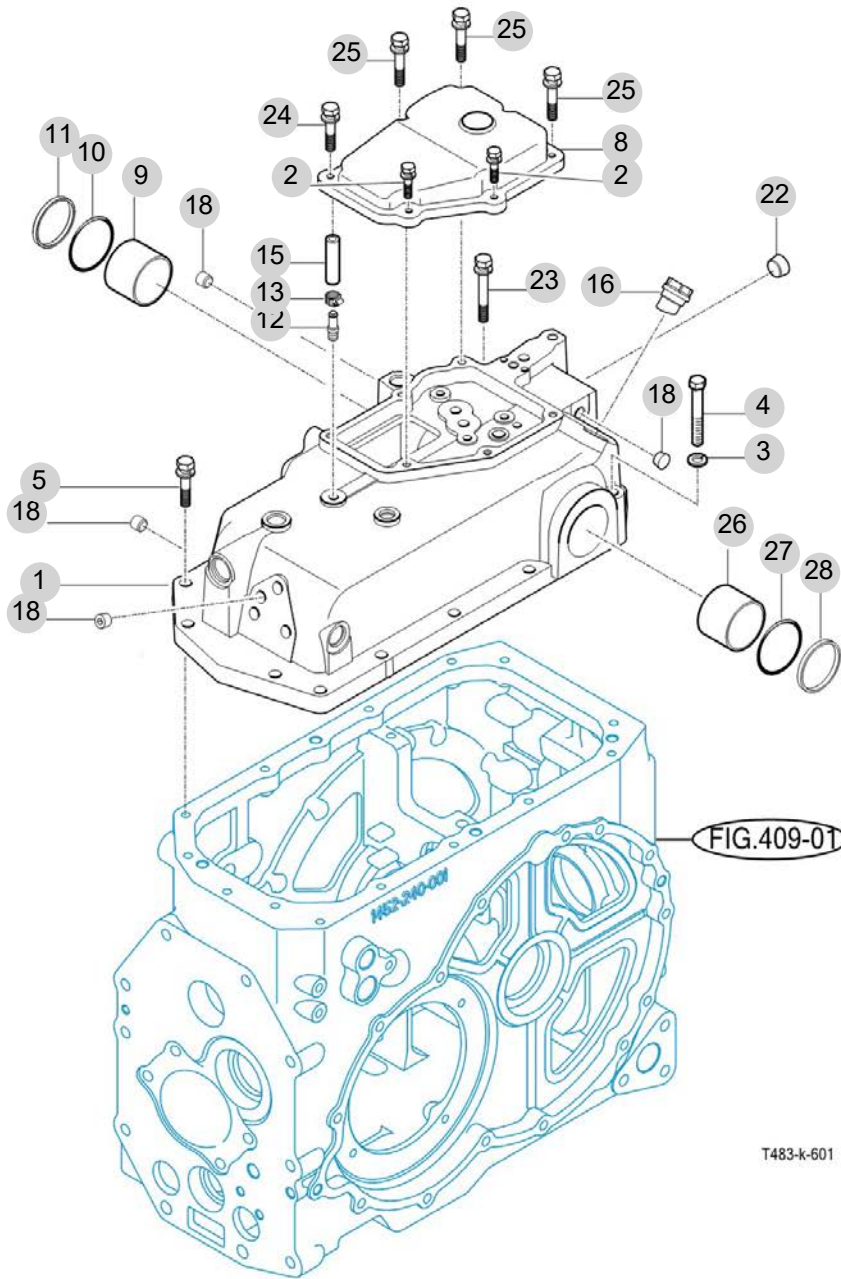
FIG 601

CYLINDER CASE

년/월
Year/Month

2022-12

T555STGBC



NOTE

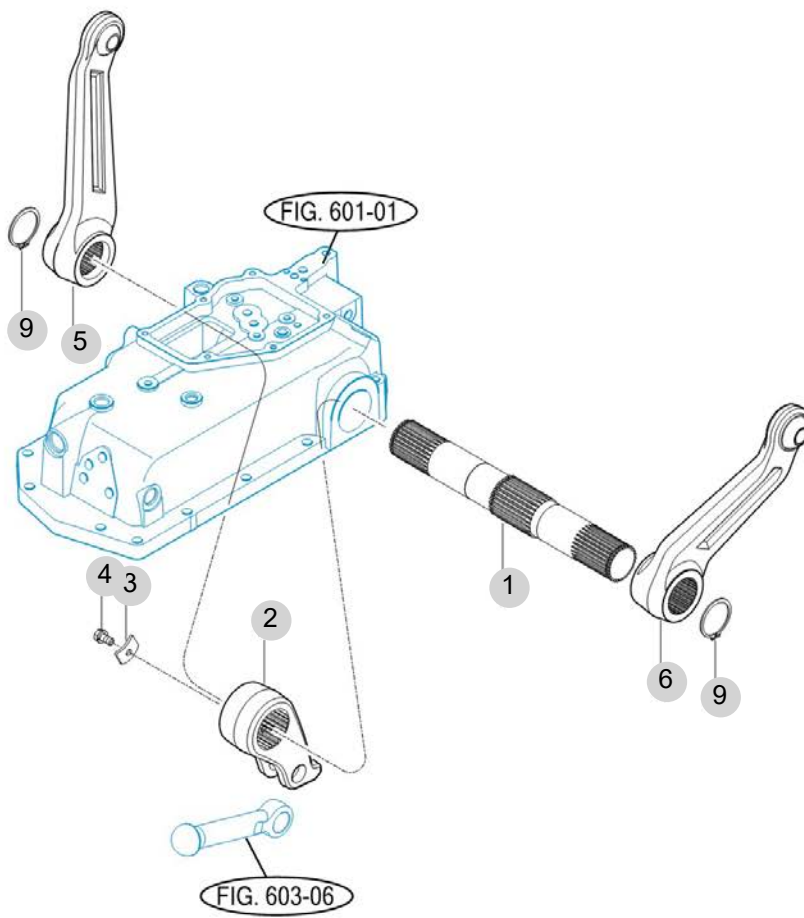
FIG 602

T555STGBC

LIFT ARM

년/월
Year/Month

2022-12



T483-K-602

NOTE

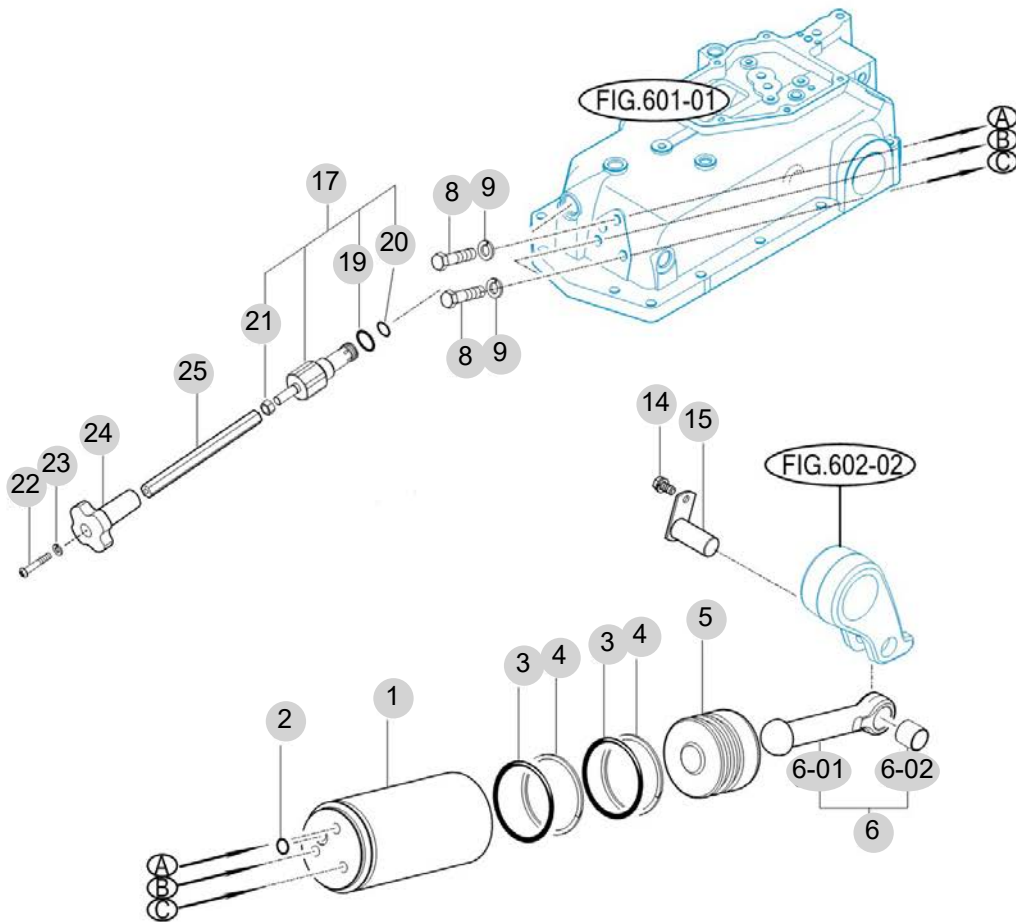
FIG 603

T555STGBC

CYLINDER

년/월
Year/Month

2022-12



T483-K-603

NOTE

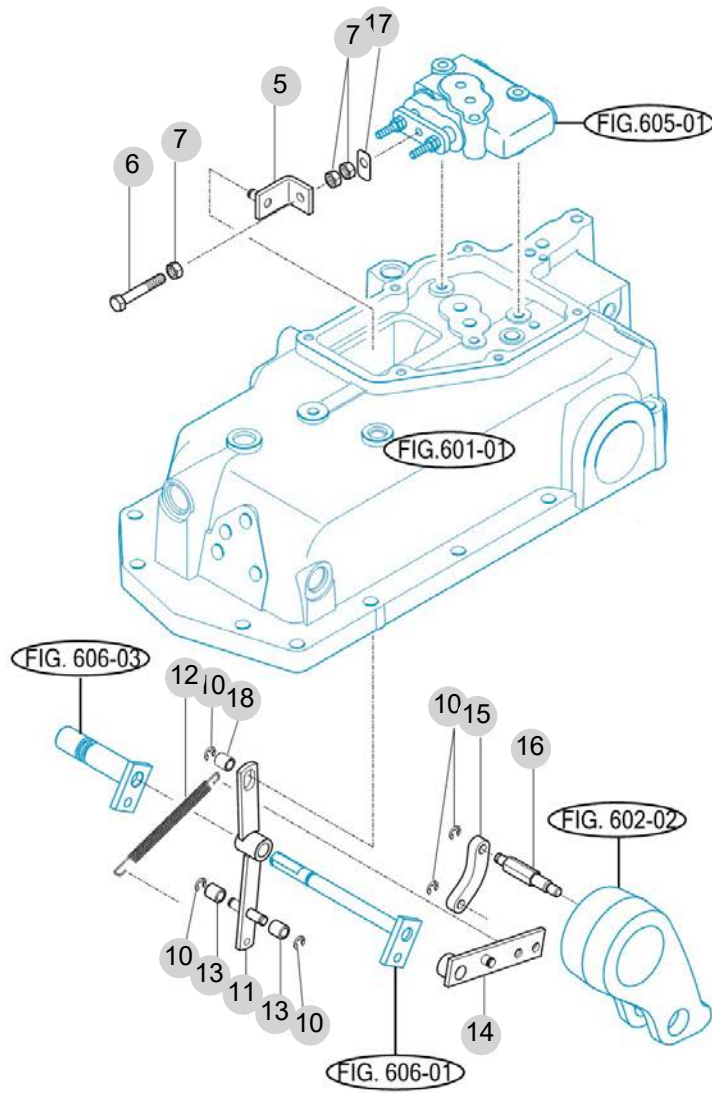
FIG 604

T555STGBC

POSITION LINK

년/월
Year/Month

2022-12



T483-K-604

NOTE

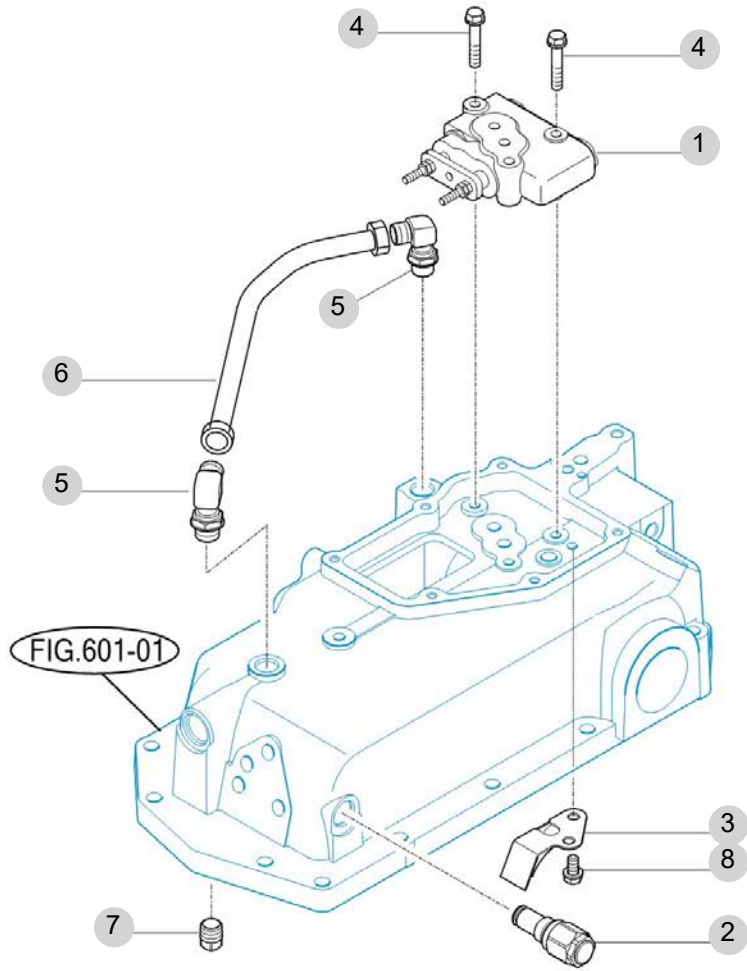
FIG 605

T555STGBC

CONTROL VALVE

년/월
Year/Month

2022-12



T483-K-605

NOTE

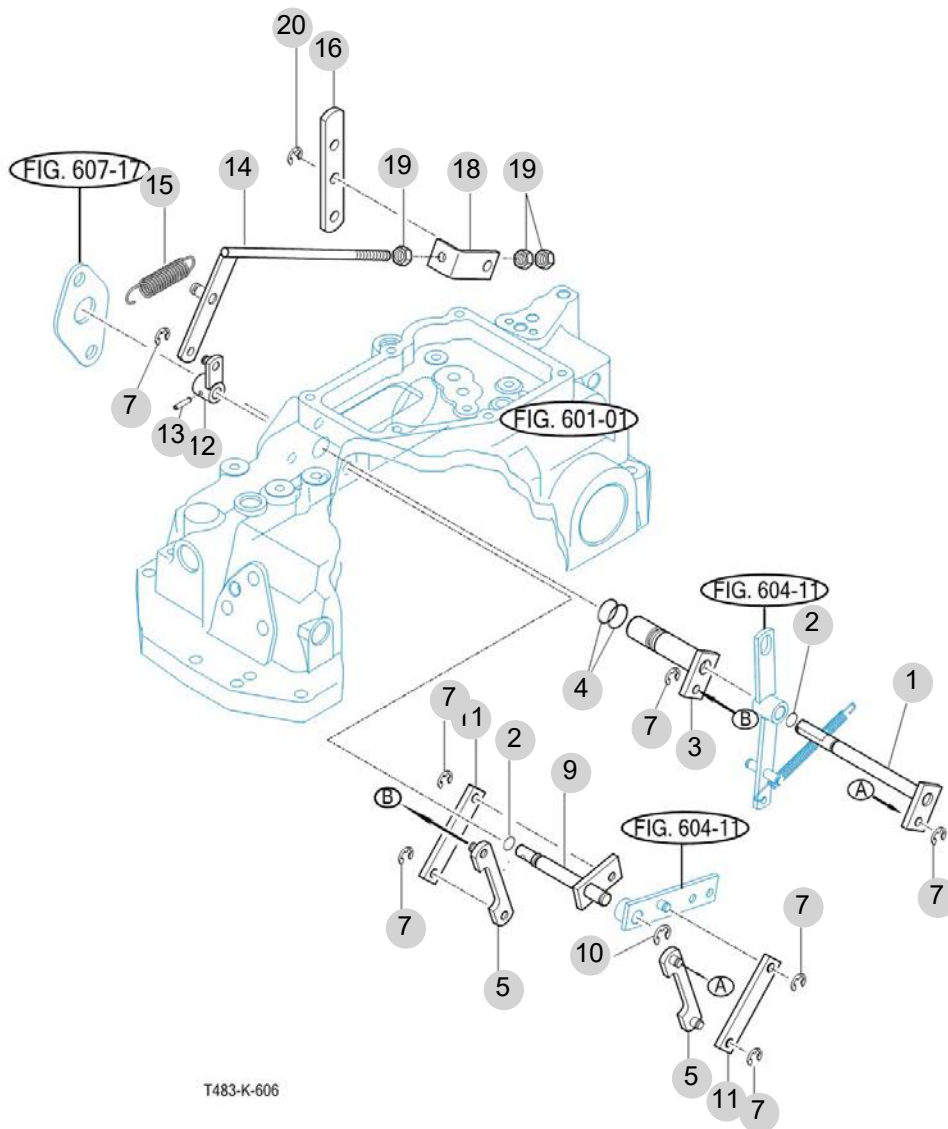
FIG 606

T555STGBC

DRAFT LINK

년/월
Year/Month

2022-12



T483-K-606

NOTE

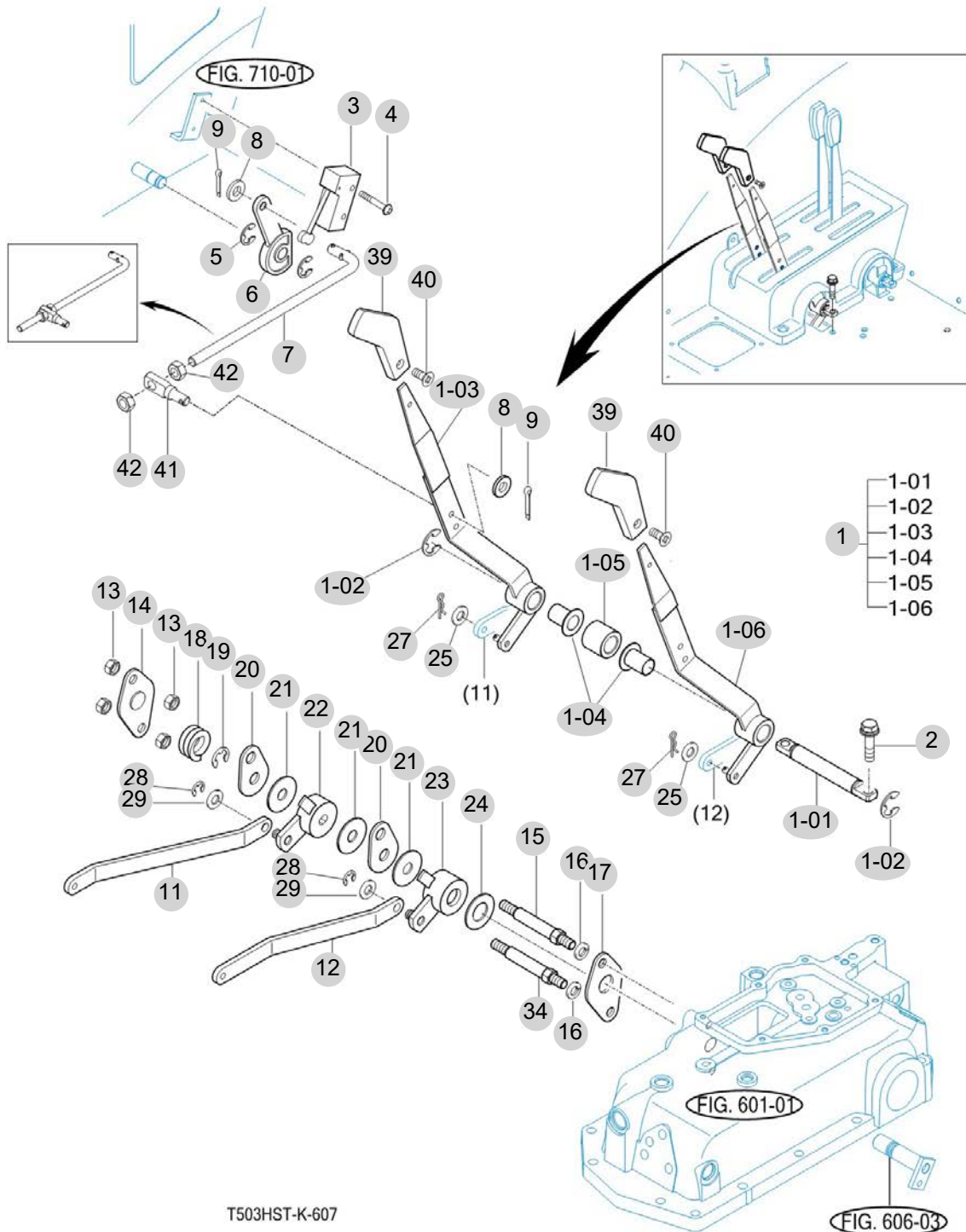
FIG 607

POSITION & DRAFT LEVER

년/월
Year/Month

2022-12

T555STGBC



NOTE

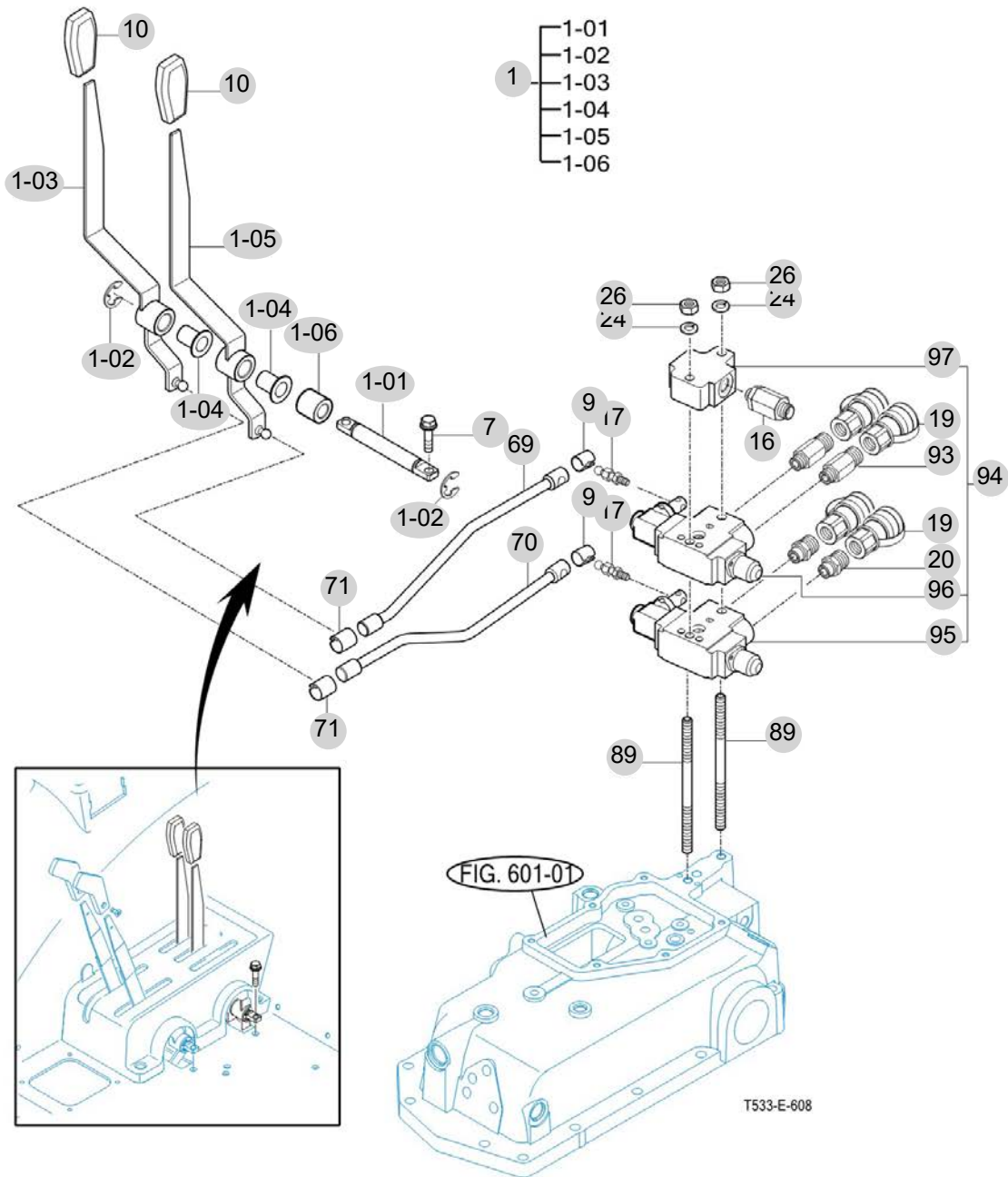
FIG 608

EXTERIOR HYD.VALVE

년/월
Year/Month

2022-12

T555STGBC



NOTE

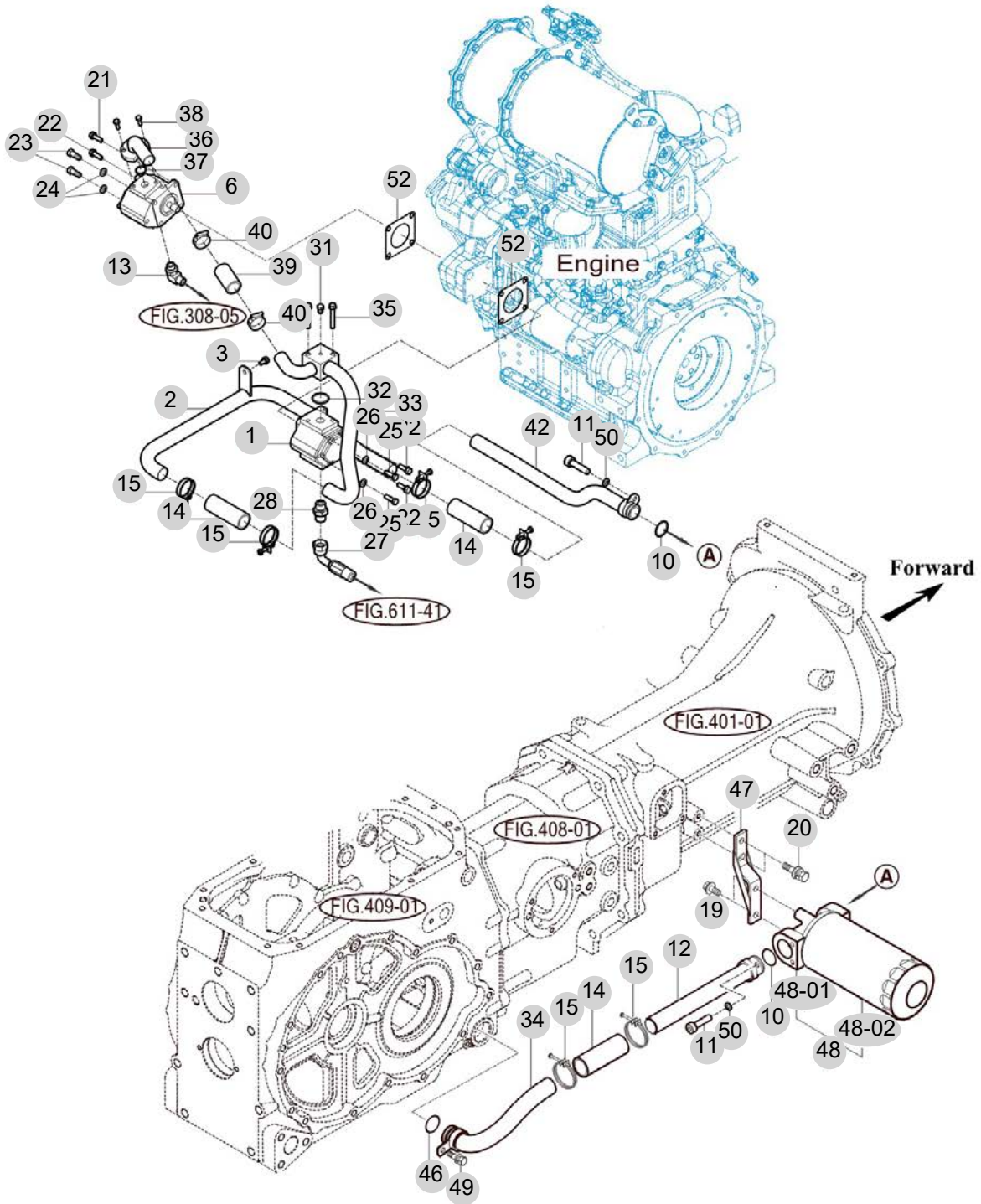
FIG 609

HYDRAULIC PIPE

년/월
Year/Month

2022-12

T555STGBC



NOTE

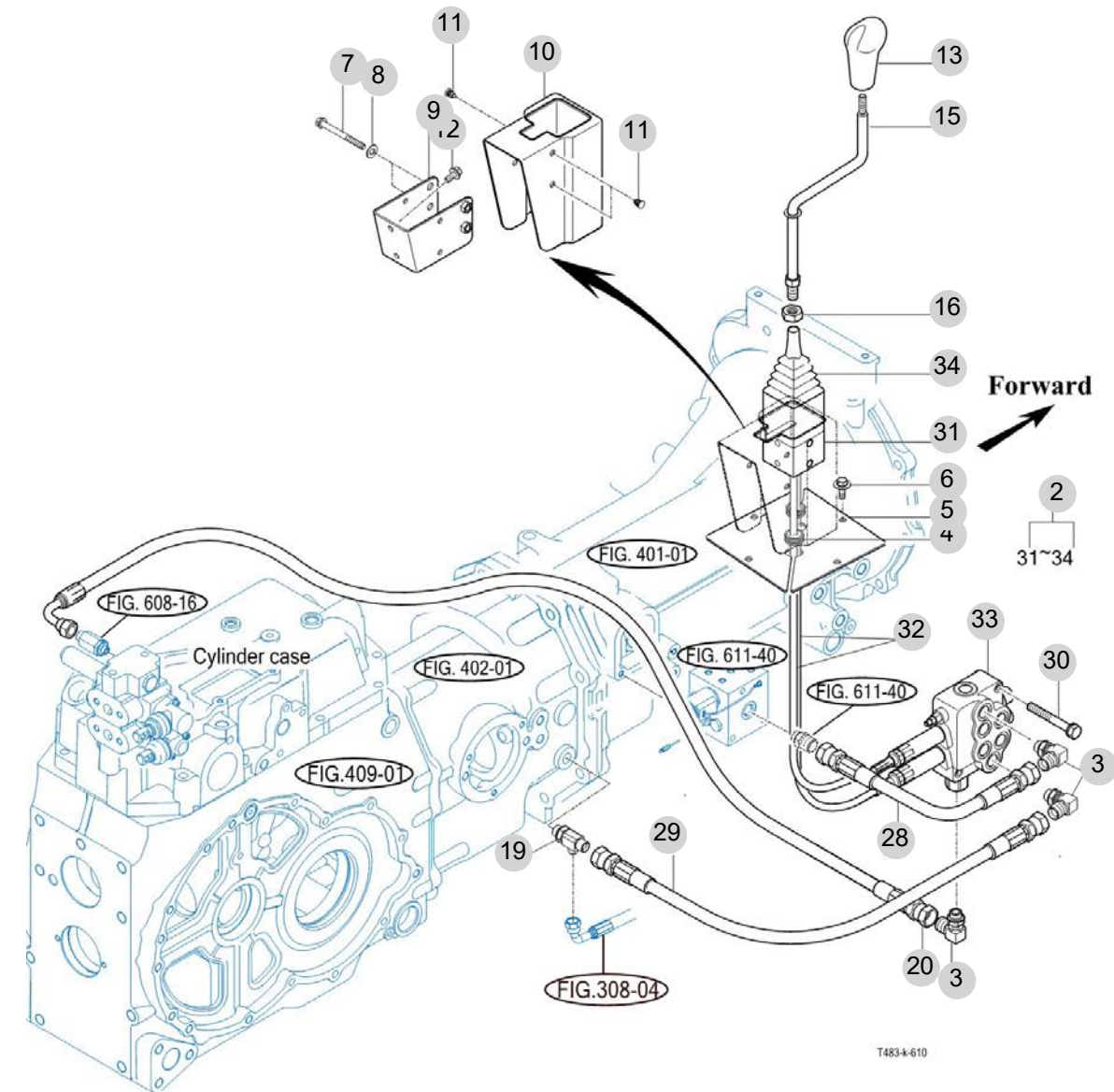
FIG 609 T555STGBC		HYDRAULIC PIPE					년/월 Year/Month	
							2022-12	
KEY NO	PART NO	DESCRIPTION	SPEC	QTY	REPAIR	EFFECTIVE DATE	REMARKS	
609	1	15115100001	기어펌프(MAIN)ASSY			1		
609	2	17465152201GB	흡입 파이프 COMP (FR/RR)			1		
609	2	17465152202GB	흡입 파이프 COMP (FR/RR)			1		
609	3	V2173608016	소형육각볼트보통(S)			1		
609	6	15115200000	기어펌프(PS)ASSY			1		
609	10	V7211031030	O링(G)			2		
609	11	V2205408016	육각홀트	M8X16		2		
609	12	14525153401	파이프(석션/F)COMP			1		
609	12	14525153401PC	파이프(석션/F)COMP			1		
609	12	14525153401	파이프(석션/F)COMP			1		
609	13	36313530021	어댑터(고압)			1		
609	14	15605150031	호스(100)			3		
609	15	18027090400	밴드 클램프 40 흡식	D=40		6		
609	19	V2183610025	소형육각볼트보통(SP)	M10X25		2		
609	20	V2183608020	소형육각볼트보통(SP)	M8X20		2		
609	21	V2173608040	소형육각볼트보통(S)	M8X40		1		
609	22	V2173608025	소형육각볼트보통(S)	M8X25		3		
609	23	V2013608110	소형육각볼트(보통)	M8X110		2		
609	24	V4011600080	스프링와셔	M8		2		
609	25	V2013608110	소형육각볼트(보통)	M8X110		2		
609	26	V4011600080	스프링와셔	M8		2		
609	27	14525152331	유압호스(1560)ASSY			1		
609	28	16582630620	콘넥터(PF1/2)			1		
609	31	13267060022	드레인플러그			1		
609	32	V7211031030	O링(G)			1		
609	33	17465153301GB	흡입 파이프 COMP (앞)			1		
609	33	17465153302GB	흡입 파이프 COMP (앞)			1		
609	33	17465153303GB	흡입 파이프 COMP (앞)			1		
609	34	14525162402PC	파이프(석션/RR)COMP			1		
609	34	14525162403	파이프(석션/RR)COMP			1		
609	35	V2173608055	소형육각볼트보통(S)	M8X55		2		
609	36	15155152901GB	파이프(석션/P)COMP			1		
609	37	V7201024018	O링(P)	P18		1		
609	38	V2113606020	육각볼트(S)	M6X20		2		
609	39	19955100010	호스(26X34X60)			1		
609	40	18027090400	밴드 클램프 40 흡식			2		
609	42	14525152101	파이프(석션/R/IN)COMP			1		
609	42	14525152102	파이프 COMP , 석션/R/IN			1		
609	42	14525152102PC	파이프 COMP , 석션/R/IN			1		
609	42	14525152103	파이프 COMP , 석션/R/IN			1		
609	46	V7211031030	O링(G)	G30		1		
609	47	14525150000GB	브래킷(오일필터)			1		
609	47	14525150000	브래킷(오일필터)			1		
609	47	14525150001	브래킷(오일필터)			1		
609	48	17975152010	필터헤드			1		
NOTE								

FIG 610

JOYSTICK

년/월
Year/Month

2022-12



T483A-610

NOTE

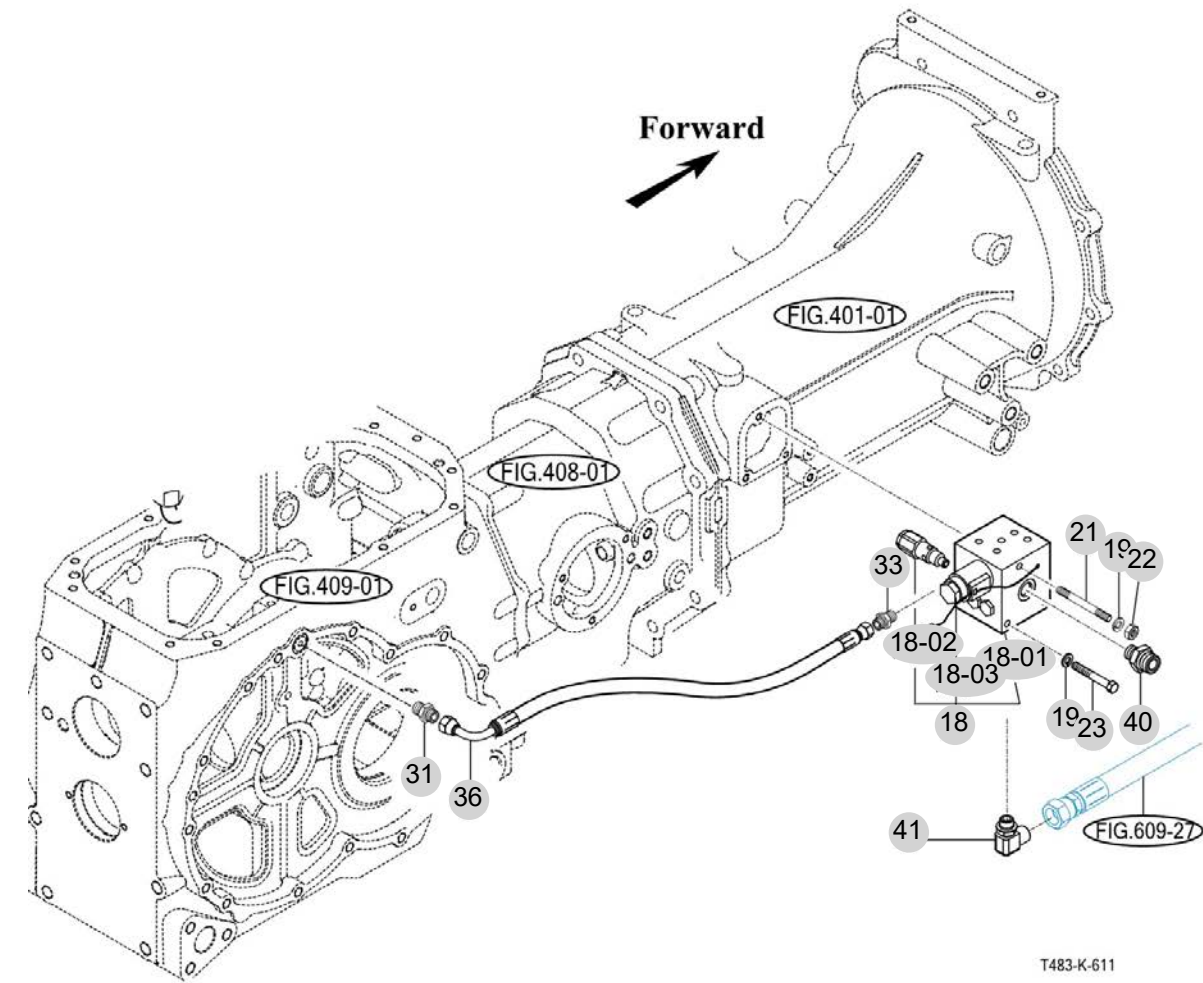
FIG 610 T555STGBC		JOYSTICK					년/월 Year/Month	
							2022-12	
							KEY NO	PART NO
610	2	15155162502	로더밸브 조이스틱 ASSY		1			
610	3	17407362300	엘보(PF3/8,PF1/2)		3			
610	4	14526300530	인슐레이터(조이스틱)		2			
610	5	17685161810GB	플레이트(씰)		2			
610	6	V2193606016	육각볼트(SPL)	M6X16	4			
610	7	V2173608085	소형육각볼트보통(S)	M8X85	2			
610	8	V4111600080	평와셔	M8	2			
610	9	14527103100GB	조이스틱브래킷		1			
610	10	14527100010	커버(조이스틱/T483)		1			
610	11	15276040020	트림 클립(8)		3			
610	12	V2183608020	소형육각볼트보통(SP)	M8X20	2			
610	13	4IMP500707	그립(조이스틱)		1			
610	13	10896013800	그립(조이스틱)		1			
610	15	15157103901GB	레버(조이스틱)COMP		1			
610	16	V3302600140	육각너트가는2종	M14	1			
610	16A	V3302600140	육각너트가는2종	M14	1			
610	19	15165161130	T엘보 (PF1/2,PF3/8)		1			
610	20	14525152331	유압호스(1560)ASSY		1			
610	28	14524070010	유압호스(390)ASSY		1			
610	29	17685162202	유압호스(530)ASSY		1			
610	30	V2173608060	소형육각볼트보통(S)	M8X60	3			
610	31	14527103600	조이스틱 바디 ASSY		1			
610	32	14527103700	케이블 ASSY (620)		2			
610	32	14527103701	케이블 ASSY (620)		2			
610	33	15157103802	로더밸브 ASSY(특인)		1			
610	34	14527103610	부츠 , 로더밸브조이스틱		1			
NOTE								

FIG 611

HYDRAULIC HOSE

년/월
Year/Month

2022-12



NOTE

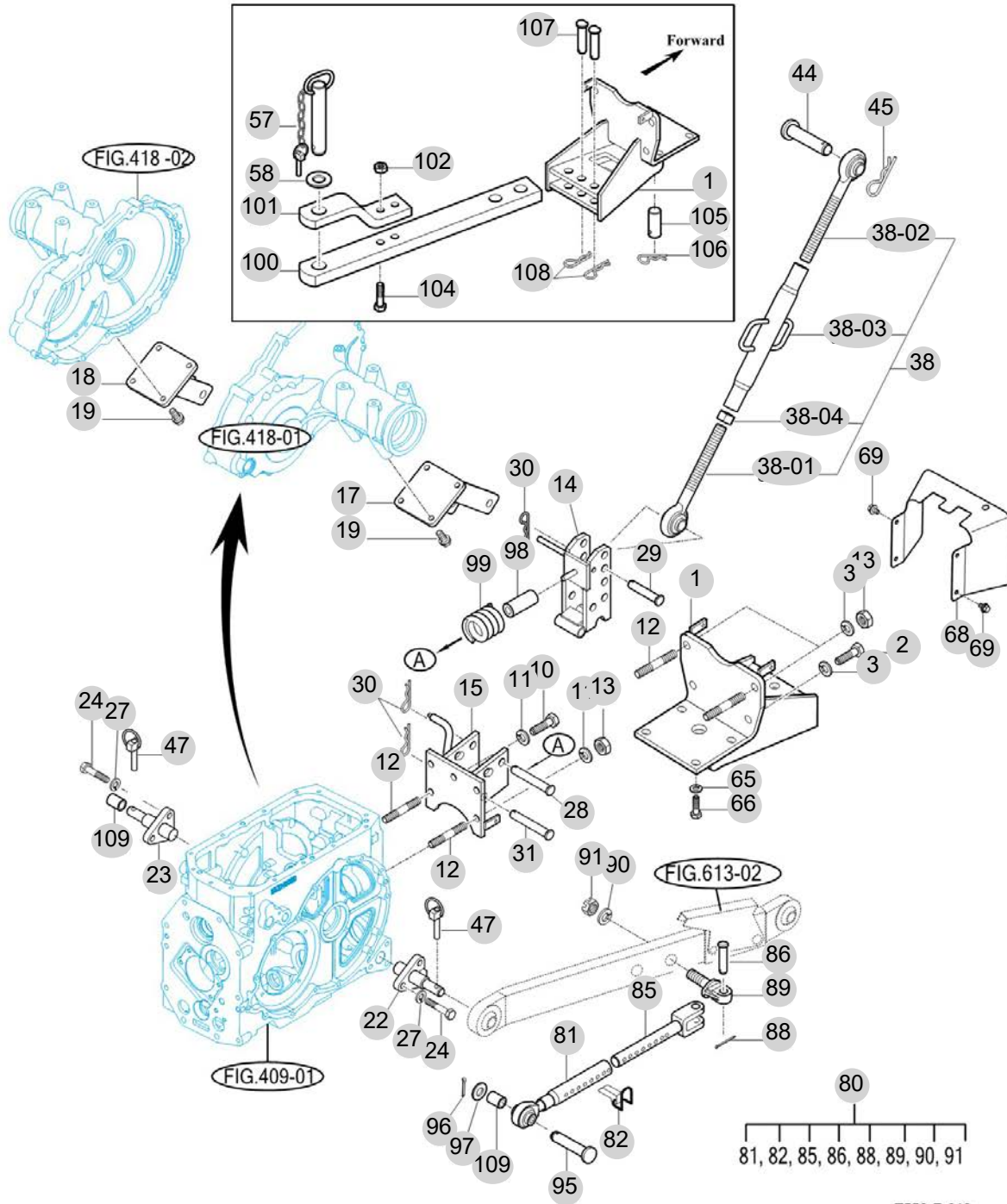
FIG 612

HITCH & 3-POINT LINK

년/월
Year/Month

2022-12

T555STGBC



NOTE

FIG 612 T555STGBC		HITCH & 3-POINT LINK					년/월 Year/Month	
							2022-12	
KEY NO	PART NO	DESCRIPTION	SPEC	QTY	REPAIR	EFFECTIVE DATE	REMARKS	
612	1	15175202001GB	브래킷COMP, 스윙 드로바		1			
612	1	15175202002GB	브래킷COMP, 스윙 드로바		1			
612	1	15175202003GB	브래킷COMP, 스윙 드로바		1			
612	2	V2013616035	소형육각볼트(보통)	M16X35	2			
612	3	V4011600160	스프링와셔	M16	4			
612	10	V2013616035	소형육각볼트(보통)	M16X35	3			
612	11	V4011600160	스프링와셔	M16	5			
612	12	V2513416035	스터드볼트2종	M16X35	4			
612	13	V3043600160	소형육각너트보통2종	M16	4			
612	14	16735222102GB	링크 COMP		1			
612	15	15185222000GB	브래킷 COMP		1			
612	17	14525254100GB	브래킷(후)COMP		1			
612	18	14525254100GB	브래킷(후)COMP		1			
612	19	V2173612030	소형육각볼트보통(S)	M12X30	8			
612	22	15685252204	핀(L) COMP		1			
612	23	15685252801	핀(R) COMP		1			
612	24	V2013614040	소형육각볼트(보통)	M14X40	6			
612	27	V4011600140	스프링와셔	M14	6			
612	28	15645250010	핀(19X122)		1			
612	29	15645220020	핀(19X95)		1			
612	30	14445140051	헤어핀(19)		3			
612	31	15645250010	핀(19X122)		1			
612	38	16505245501GB	톱링크ASSY		1			
612	38	16505245502GB	톱링크 ASSY		1			
612	38-01	16505245510	톱링크COMP(RH)		1			
612	38-02	16505245520	톱링크COMP(LH)		1			
612	38-03	14555140251	턴버클 조합(톱링크)		1			
612	38-04	16505245530	육각너트		1			
612	44	15645220011	핀(19X86)		1			
612	45	14445140051	헤어핀(19)		1			
612	47	14215020020	링크핀		2			
612	57	S0973063031	핀ASSY		1			
612	58	15252470010	쿠션고무		1			
612	65	V4011600140	스프링와셔	M14	4			
612	66	V2013614035	소형육각볼트(보통)	M14X35	4			
612	68	13605200012GB	커버(씰드)		1			
612	69	V2183608016	소형육각볼트보통(SP)		4			
612	80	15155253000GB	조정링크(완)ASSY		2			
612	81	15155253100	로드 SUB, FR		2			
612	82	17705254200	린치핀		2			
612	85	15155253300	로드 SUB, RR		2			
612	86	15155253400	핀, ø20X59		2			
612	88	V5001940035	분할핀	4.0X35	2			
612	89	15155253500	아이볼트		2			
612	90	V4111600220	평와셔	M22	2			
NOTE								

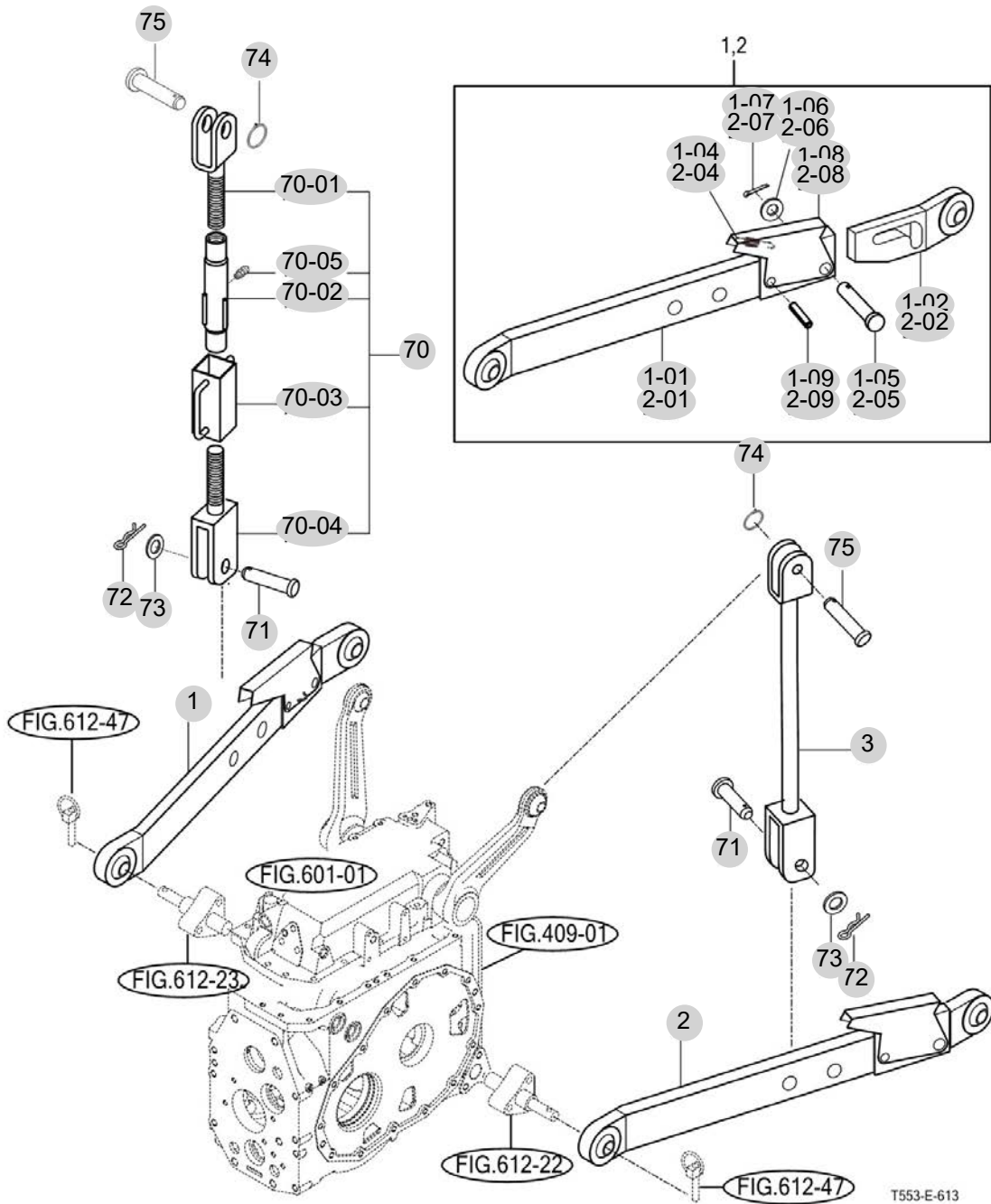
FIG 613

HITCH & 3-POINT LINK

년/월
Year/Month

2022-12

T555STGBC



NOTE

FIG 613 T555STGBC	HITCH & 3-POINT LINK						년/월 Year/Month
							2022-12

KEY NO		PART NO	DESCRIPTION	SPEC	QTY	REPAIR	EFFECTIVE DATE	REMARKS
613	1	15175262200GB	로어링크ASSY(RH)		1			
613	1-01	15175262210	하부링크 SUB , RH/FR		1			
613	1-02	15175262220	하부링크 SUB , RH/RR		1			
613	1-04	15155262330	인장 스프링		1			
613	1-05	15155262340	핀 ,22X56		1			
613	1-06	V4111600220	평와셔	M22	1			
613	1-07	V5001940035	분할핀	4.0X35	1			
613	1-08	15155262350	손잡이		1			
613	1-09	15155262360	스프링핀		1			
613	2	15175262300GB	로어링크ASSY(LH)		1			
613	2-01	15175262310	하부링크 SUB , LH/FR		1			
613	2-02	15175262320	하부링크 SUB , LH/RR		1			
613	2-04	15155262330	인장 스프링		1			
613	2-05	15155262340	핀 ,22X56		1			
613	2-06	V4111600220	평와셔	M22	1			
613	2-07	V5001940035	분할핀	4.0X35	1			
613	2-08	15155262350	손잡이		1			
613	2-09	15155262360	스프링핀		1			
613	3	12185243000GB	리프트로드ASSY(LH)		1			
613	70	15175244000GB	리프트 링크 ASSY RH		1			
613	70-01	15155244100	리프트 SUB , UPR		1			
613	70-02	15155244200	슬리브 조합		1			
613	70-03	15155244300	핸들 조합		1			
613	70-04	15175244400	리프트 SUB , LOW		1			
613	70-06	V7601500000	그리스니플(A-M6F)		1			
613	71	15175250010	핀 , 22X63		2			
613	72	S2169908420	헤어핀(28)		2			
613	73	V4111600220	평와셔	M22	2			
613	74	16735240060	스프링(45)		2			
613	75	16735243500	핀		2			
NOTE								

7. 시트메탈/캐빈 PART NO. T7

FIG 701 HOOD (1)	175
FIG 702 HOOD (2)	177
FIG 704A LEVER COVER & STEP	179
FIG 705 FRONT & REAR MOUNTING	181
FIG 706 SEAT & MAT	183
FIG 709 DOOR	185
FIG 710A FRONT GLASS	188
FIG 711 SIDE GLASS	190
FIG 712 REAR GLASS	192
FIG 713A SUB FENDER & COVER	194
FIG 714A MIRROR	196
FIG 715A HEATER & AIR-CON	198
FIG 715B HEATER & AIR-CON	200
FIG 716 FENDER COVER	202
FIG 717 ROOF	204
FIG 718 CABIN INTERIOR	206

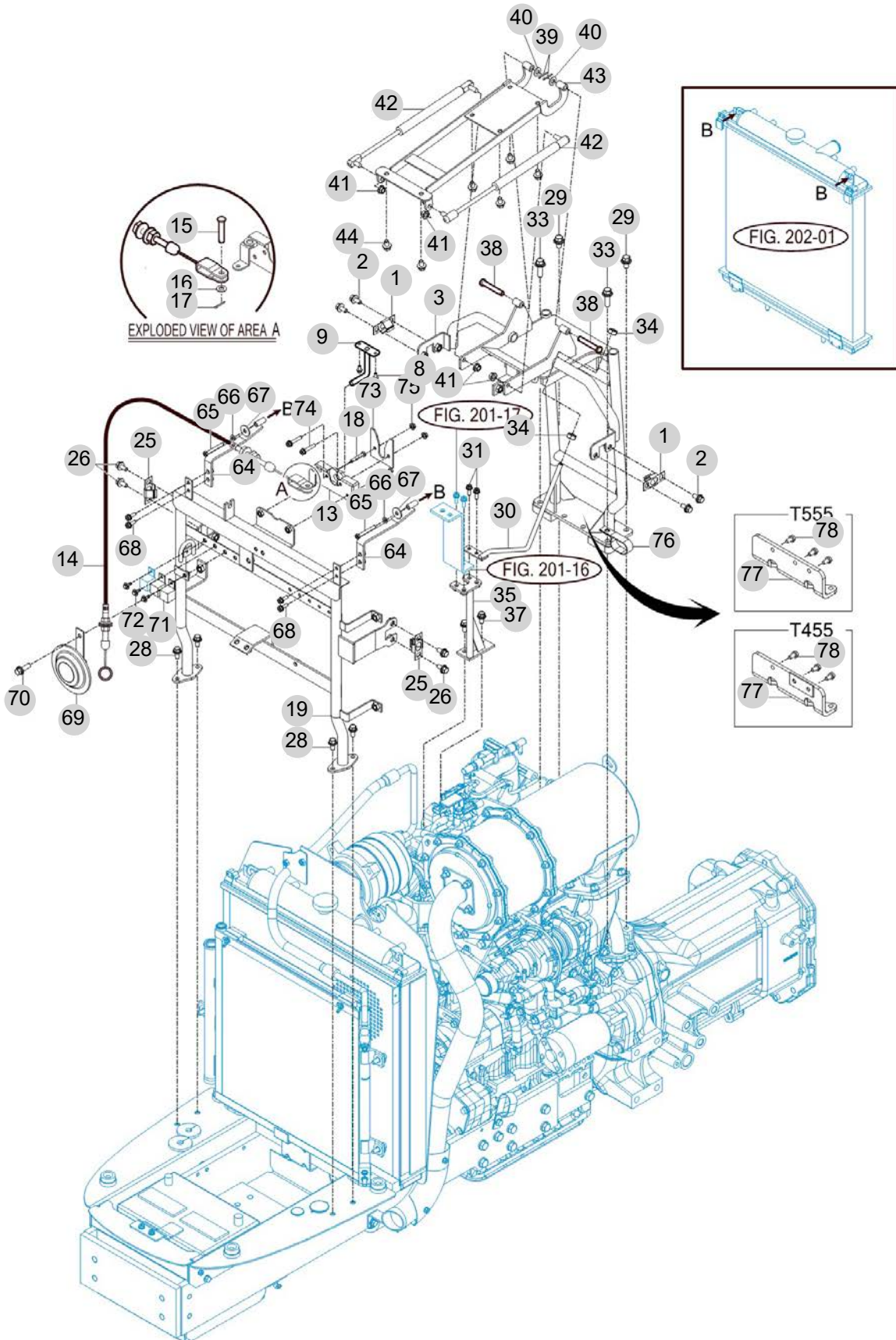
FIG 701

T555STGBC

HOOD (1)

년/월
Year/Month

2022-12



NOTE

FIG 701		HOOD (1)					년/월 Year/Month	
T555STGBC							2022-12	
KEY NO	PART NO	DESCRIPTION	SPEC	QTY	REPAIR	EFFECTIVE DATE	REMARKS	
701	1	17686013502	고정스프링		2			
701	2	V2183608020	소형육각볼트보통(SP)	M8X20	4			
701	3	17466052000GB	프레임(후드/서포트)COMP		1			
701	8	V2183608016	소형육각볼트보통(SP)	M8X16	2			
701	9	17466022100	브래킷 COMP , 후드 록		1			
701	13	17686020600	잠금장치(후드)COMP		1			
701	14	12146020650	후드 케이블ASSY		1			
701	15	15601160083	핀 (06X16)		1			
701	16	V4111600060	평와셔	M6	1			
701	17	V5001920020	분할핀		1			
701	18	V2053606035	심자흡육각볼트	M6X35	2			
701	19	17466011001GB	프레임(후드/프런트)COMP		1			
701	25	17686013502	고정스프링		2			
701	26	V2183608020	소형육각볼트보통(SP)	M8X20	4			
701	28	V2183608020	소형육각볼트보통(SP)	M8X20	4			
701	29	V2183610020	소형육각볼트보통(SP)	M10X20	2			
701	30	17463282200	로드 COMP		1			
701	31	V2123606020	육각볼트(SP)	M6X20	2			
701	33	V2174610050	소형육각볼트보통(S)	M10X50	2			
701	34	V3013600100	육각너트보통2종	M10	2			
701	35	17466052300GB	서포트 COMP		1			
701	37	V2183608020	소형육각볼트보통(SP)	M8X20	2			
701	38	16996024552	두부핀		2			
701	39	V5001920020	분할핀		2			
701	40	V4111600080	평와셔	M8	2			
701	41	V3802600080	플랜지붙이육각너트	M8	4			
701	42	19957022201	댐퍼(후드)ASSY_35kg		2			
701	43	19956054600GB	후드 OPEN 브래킷 COMP		1			
701	44	V2183608016	소형육각볼트보통(SP)	M8X16	6			
701	64	17466012101GB	라디에이터 고정브래킷COMP		2			
701	65	V2053606050	심자흡육각볼트	M6X50	2			
701	66	V4011600060	스프링와셔	M6	2			
701	67	35602010150	결속축와셔		2			
701	68	V2123606020	육각볼트(SP)	M6X20	4			
701	69	13266212003	흔		1			
701	70	V2113606012	육각볼트(S)	M6X12	1			
701	71	17686641110	예열릴레이		2			
701	72	V2193606016	육각볼트(SPL)	M6X16	3			
701	73	17406014300	후드핀 가이드		1			
701	74	V2123606035	육각볼트(SP)	M6X35	2			
701	75	V3802600060	플랜지붙이육각너트		2			
701	76	14441010161	라디에이터호스클램프		1			
701	77	14137001200GB	하우징 서포터 COMP		1			
701	78	V2173608030	소형육각볼트보통(S)	M8X30	3			
NOTE								

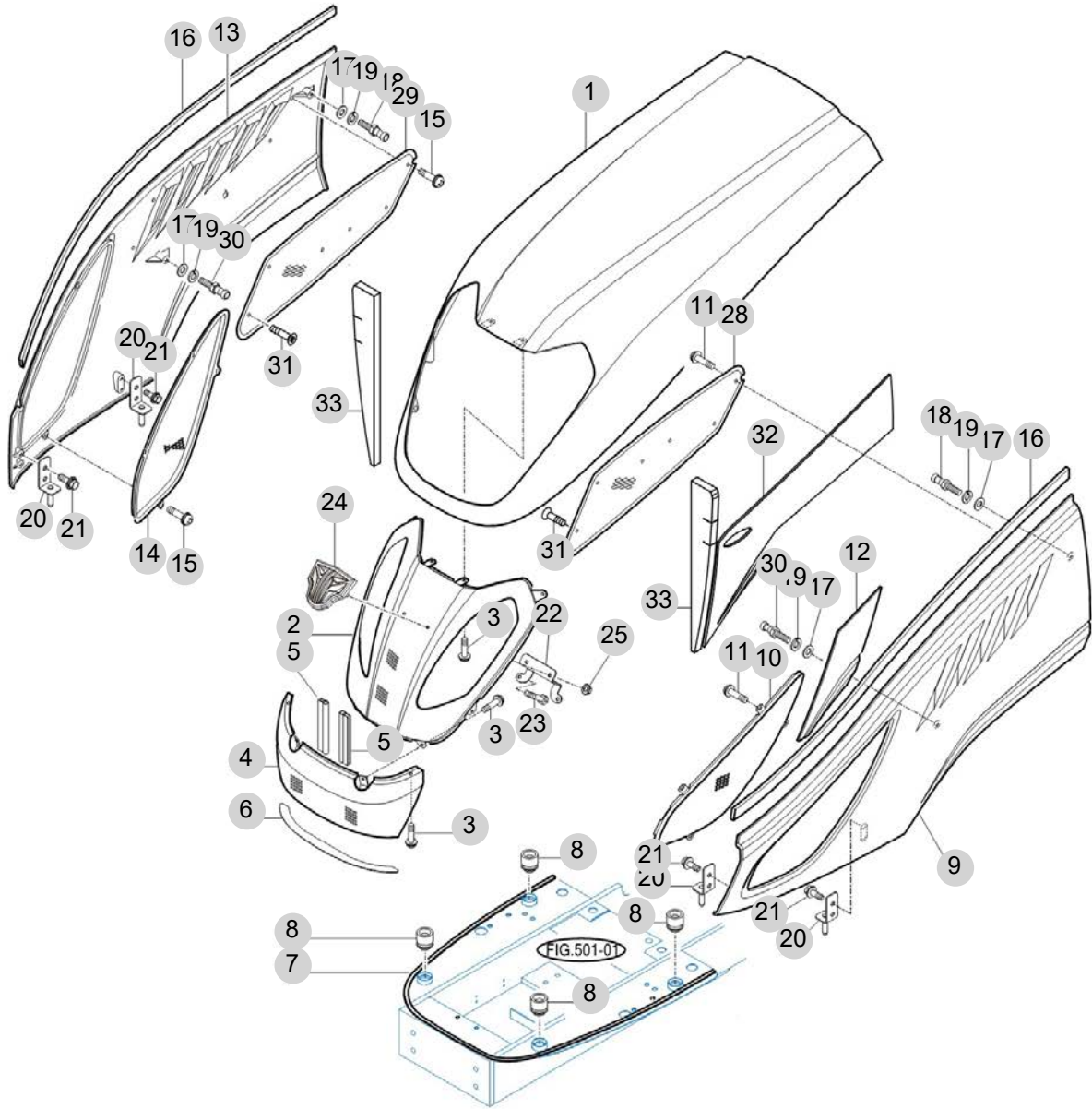
FIG 702

T555STGBC

HOOD (2)

년/월
Year/Month

2022-12



T554/454-E-702

NOTE

FIG 702 T555STGBC	HOOD (2)						년/월 Year/Month
							2022-12

KEY NO	PART NO	DESCRIPTION	SPEC	QTY	REPAIR	EFFECTIVE DATE	REMARKS
702	1	19956200012SR	후드	1			
702	2	19956200051GB	프런트 그릴	1			
702	2	19956200052GB	프런트 그릴	1			
702	2	19956200053GB	프런트 그릴	1			
702	3	V1222606010	심자흡냄비작은나사(SP)	10			
702	4	19956205102DG	프런트그릴(하) COMP	1			
702	5	19956300022	인슐레이터, 프런트 그릴	2			
702	6	19956200070	인슐레이터(언더/ 프런트)	1			
702	7	17466300030	인슐레이터 사이드커버(하)	1			
702	8	16996015511	고무(가이드)	4			
702	9	19956202013DG	사이드커버(좌)	1			
702	10	19956202021GB	사이드네트(LH)	1			
702	11	V1222606010	심자흡냄비작은나사(SP)	8			
702	12	19956024711	인슐레이터, 후드(방열)	1			
702	13	19956203013DG	사이드커버(우)	1			
702	14	19956203021GB	사이드 네트 (우)	1			
702	15	V1222606010	심자흡냄비작은나사(SP)	10			
702	16	19956300010	인슐레이터,사이드커버	2			
702	17	V4111600080	평와셔	M8	4		
702	18	17686013602	고정핀		2		
702	19	V4011600080	스프링와셔		4		
702	20	19956043601	고정핀(후/하)COMP		4		
702	21	V2123606012	육각볼트(SP)		8		
702	22	19956524301GB	헤드램프 고정브래킷COMP		1		
702	22	19956524302GB	헤드램프 고정브래킷COMP		1		
702	23	V2193606016	육각볼트(SPL)	M6X16	2		
702	24	19959010010	엠블럼		1		
702	24	19959010011	엠블럼		1		
702	24	11116222000	엠블럼 ASSY, K1		1		
702	25	V3002600060	육각너트보통1종	M6	2		
702	25	V3802600060	플랜지붙이육각너트		2		
702	28	14521040400GB	메탈, 머플러(LH)		1		
702	29	14521050400GB	메탈, 머플러(RH)		1		
702	30	14526013600	고정핀		2		
702	31	V1122606012	심자흡접시작은나사		2		
702	32	17466024720	인슐레이터, 사이드		1		
702	33	17466024731	인슐레이터, 슈라우드		2		

NOTE

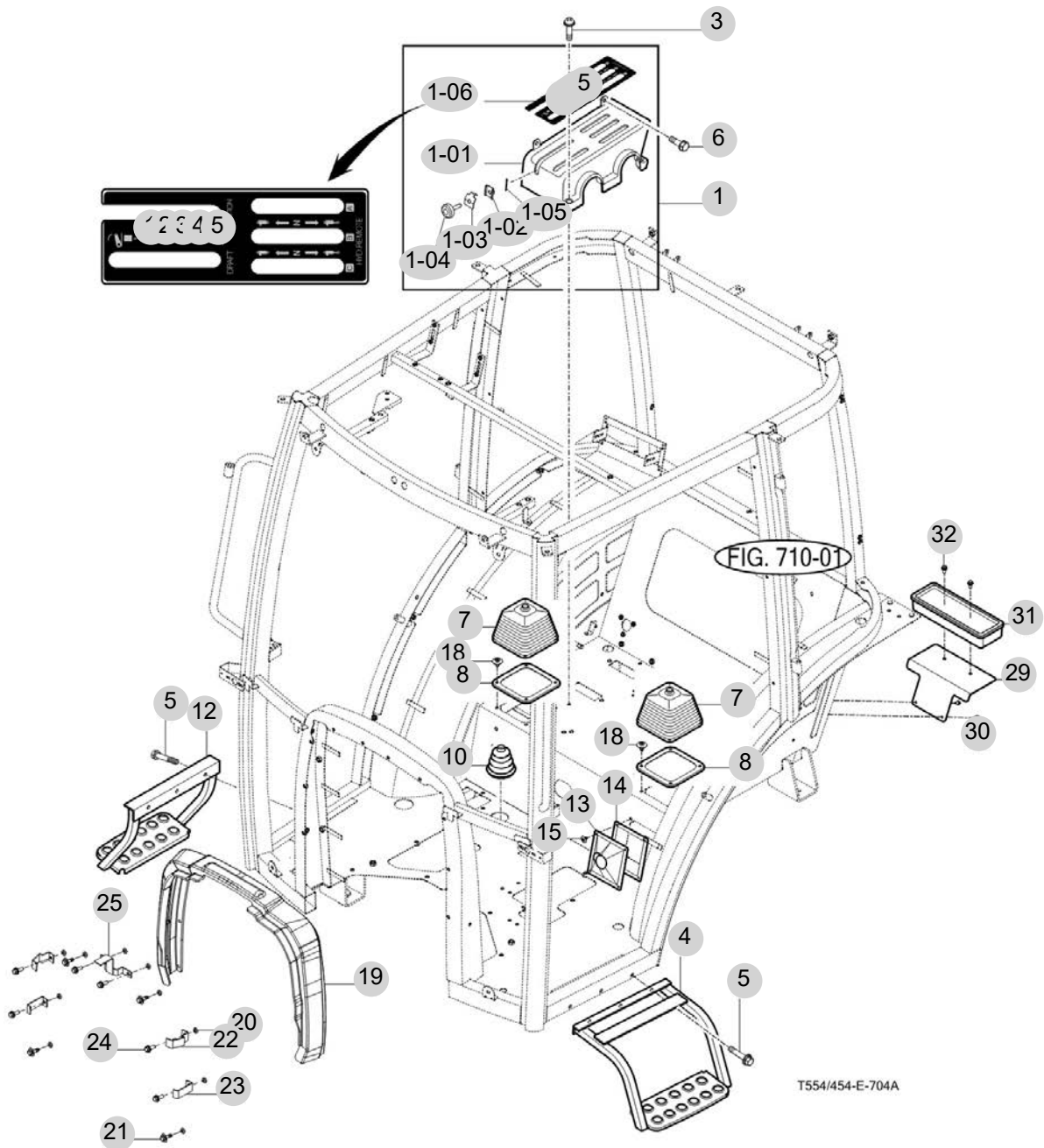
FIG 704A

T555STGBC

LEVER COVER & STEP

년/월
Year/Month

2022-12



NOTE

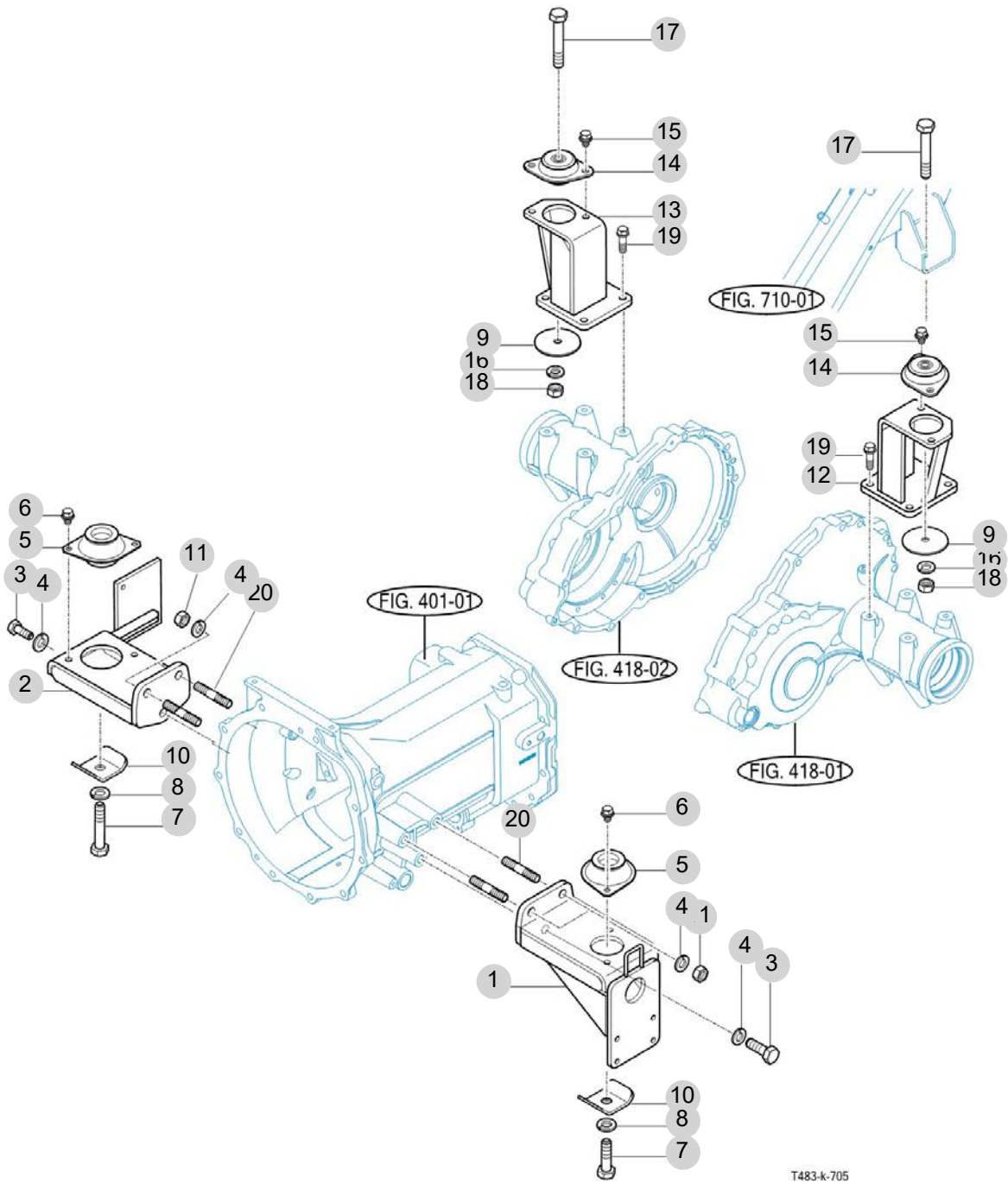
FIG 705

FRONT & REAR MOUNTING

년/월
Year/Month

2022-12

T555STGBC



T483-k-705

NOTE

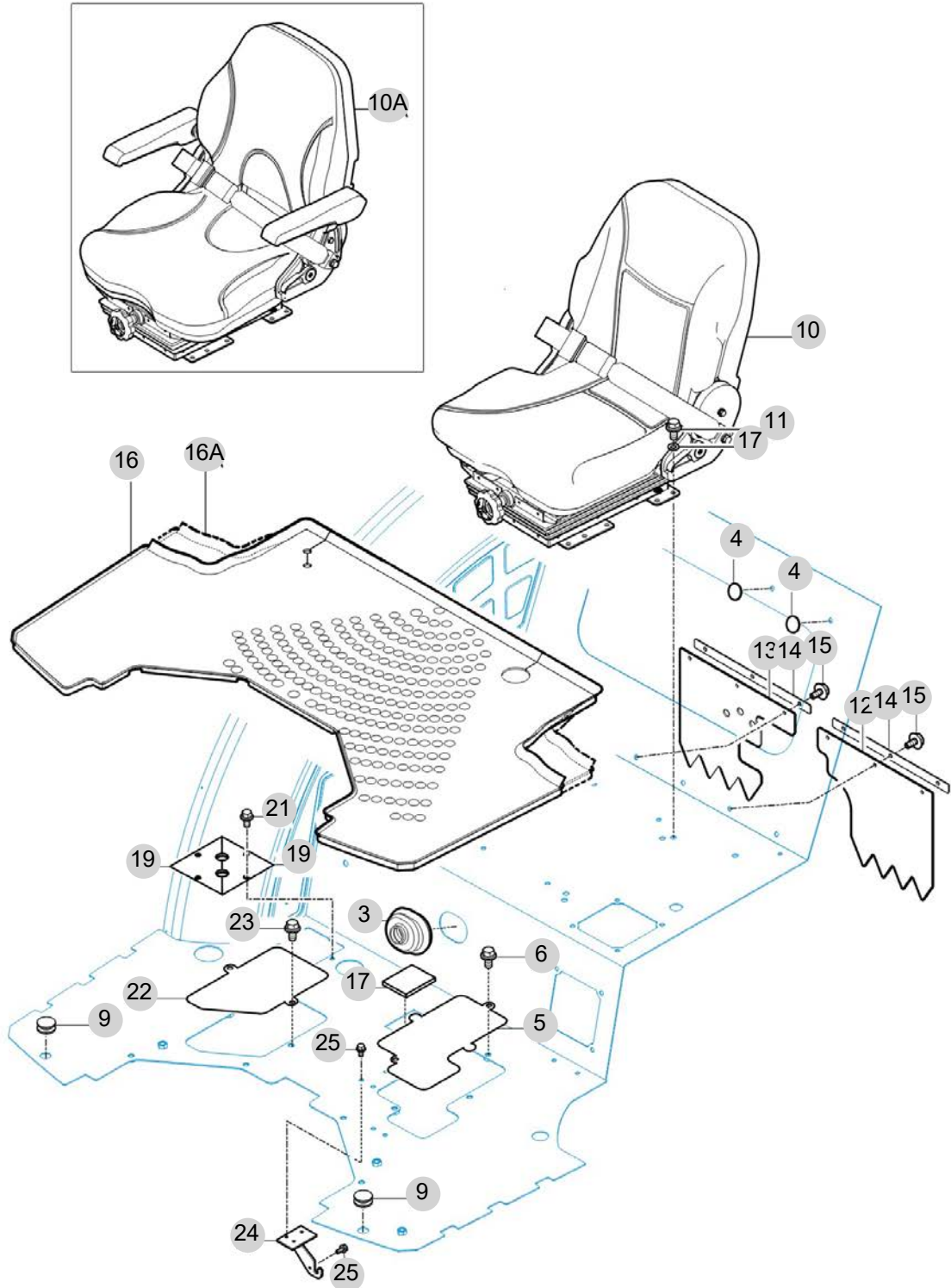
FIG 706

SEAT & MAT

년/월
Year/Month

2022-12

T555STGBC



NOTE

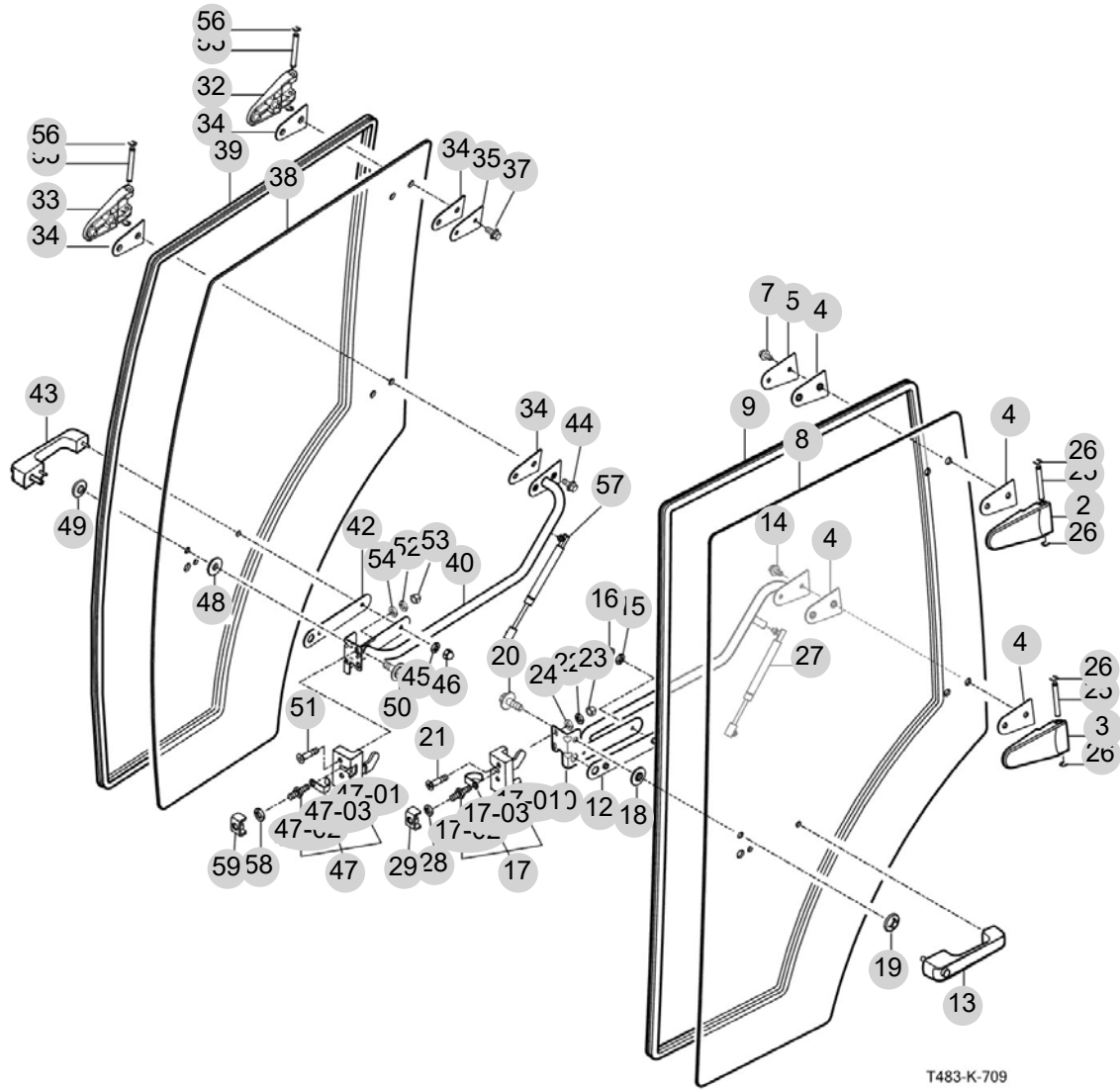
FIG 709

DOOR

년/월
Year/Month

2022-12

T555STGBC



NOTE

FIG 709 T555STGBC		DOOR					년/월 Year/Month	
							2022-12	
KEY NO	PART NO	DESCRIPTION	SPEC	QTY	REPAIR	EFFECTIVE DATE	REMARKS	
709	2	14527052300	도어힌지조합, 상/LH			1		
709	3	14527052400	도어힌지조합, 상/RH			1		
709	4	14527052110	개스킷, 도어힌지			4		
709	5	14527052120GB	플레이터,도어힌지			1		
709	7	V2183608020	소형육각볼트보통(SP)	M8X20		2		
709	8	14527052131	그라스, 도어/LH	6t		1		
709	9	14527052140	인슐레이터 / 도어			1		
709	10	14527052500GB	가이드 조합/LH/도어			1		
709	12	14527052150	개스킷, 도어손잡이			1		
709	13	14527052600	잠금장치 손잡이ASSY			1		
709	14	V2183608020	소형육각볼트보통(SP)	M8X20		2		
709	15	V4011600060	스프링와셔	M6		2		
709	16	V3402700060	육각캡너트	M6		2		
709	17	14527052700	록크SET,LH/도어			1		
709	17-01	14527052710	록ASSY,LH/도어			1		
709	17-02	14527052720	스트라이크			1		
709	17-03	14527052730	가이드			1		
709	18	15817401130	크로메트(13X17X02)			1		
709	19	14527042500	그라스너트조합			1		
709	20	V2193606012	육각볼트(SPL)	M6X12		1		
709	21	V1122608040	심자흡점시작은나사	M8X40		2		
709	22	V4011600080	스프링와셔	M8		2		
709	23	V3412700080	소형육각캡너트	M8		2		
709	24	V4111600080	평와셔			2		
709	25	14527041110	핀, 도어힌지	D=8		2		
709	26	V7082400070	E형멈춤링(sus)	7		4		
709	27	14527301080	댐퍼(도어)ASSY_20kg	20KG		1		
709	28	V4011600100	스프링와셔	M10		1		
709	29	14527062500GB	브래킷 조합,도어록			1		
709	32	14527052300	도어힌지조합, 상/LH			1		
709	33	14527052400	도어힌지조합, 상/RH			1		
709	34	14527052110	개스킷, 도어힌지			4		
709	35	14527052120GB	플레이터,도어힌지			1		
709	37	V2183608020	소형육각볼트보통(SP)	M8X20		2		
709	38	14527053131	그라스, 도어/RH	6t		1		
709	39	14527052140	인슐레이터 / 도어			1		
709	40	14527053500GB	가이드 조합,RH/ 도어			1		
709	42	14527052150	개스킷, 도어손잡이			1		
709	43	14527052600	잠금장치 손잡이ASSY			1		
709	44	V2183608020	소형육각볼트보통(SP)	M8X20		2		
709	45	V4011600060	스프링와셔	M6		2		
709	46	V3402700060	육각캡너트	M6		2		
709	47	14527053700	록크SET,RH/도어			1		
709	47-01	14527053710	록크ASSY,RH/도어			1		
709	47-02	14527052720	스트라이크			1		
NOTE								

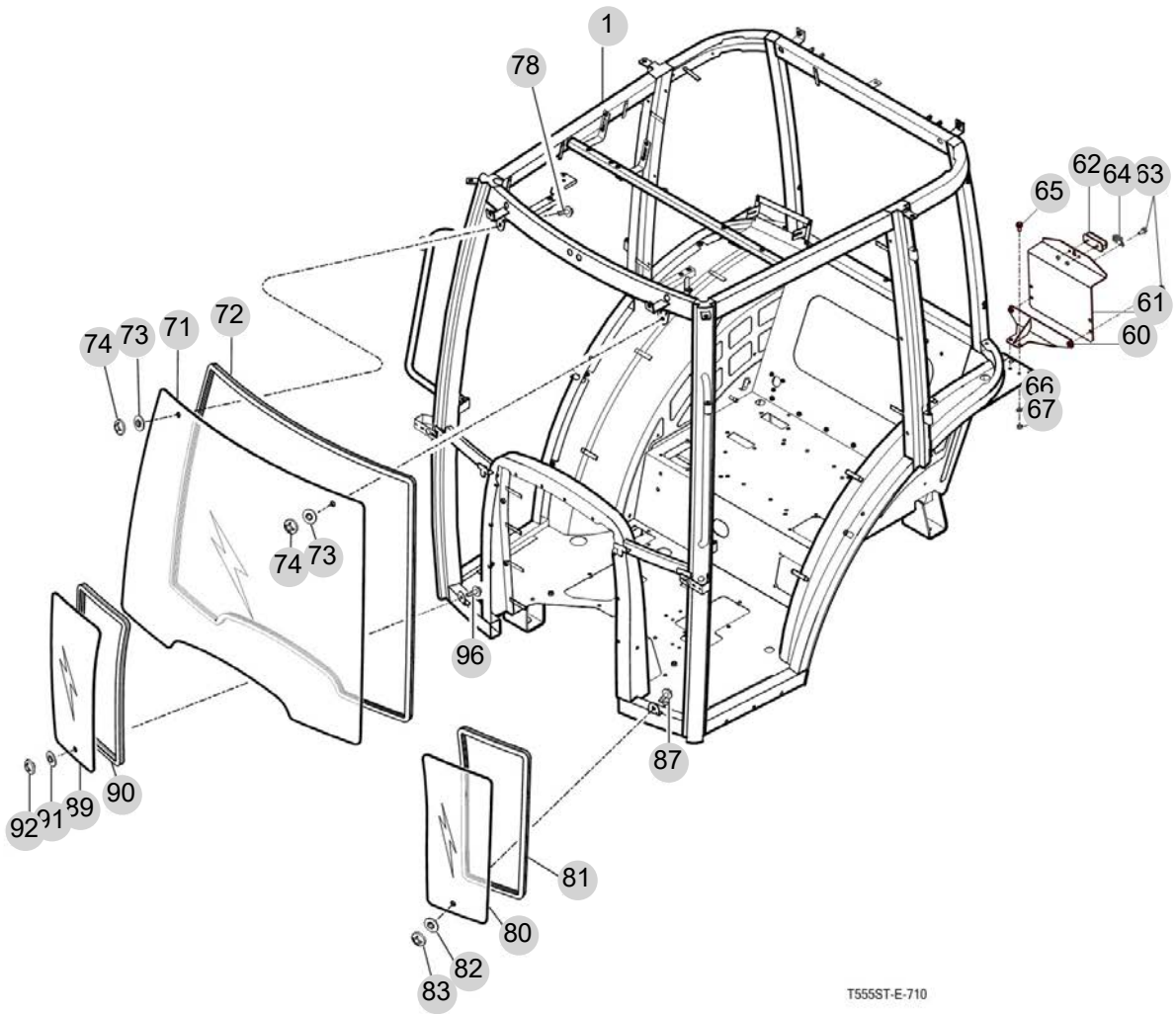
FIG 710A

T555STGBC

FRONT GLASS

년/월
Year/Month

2022-12



NOTE

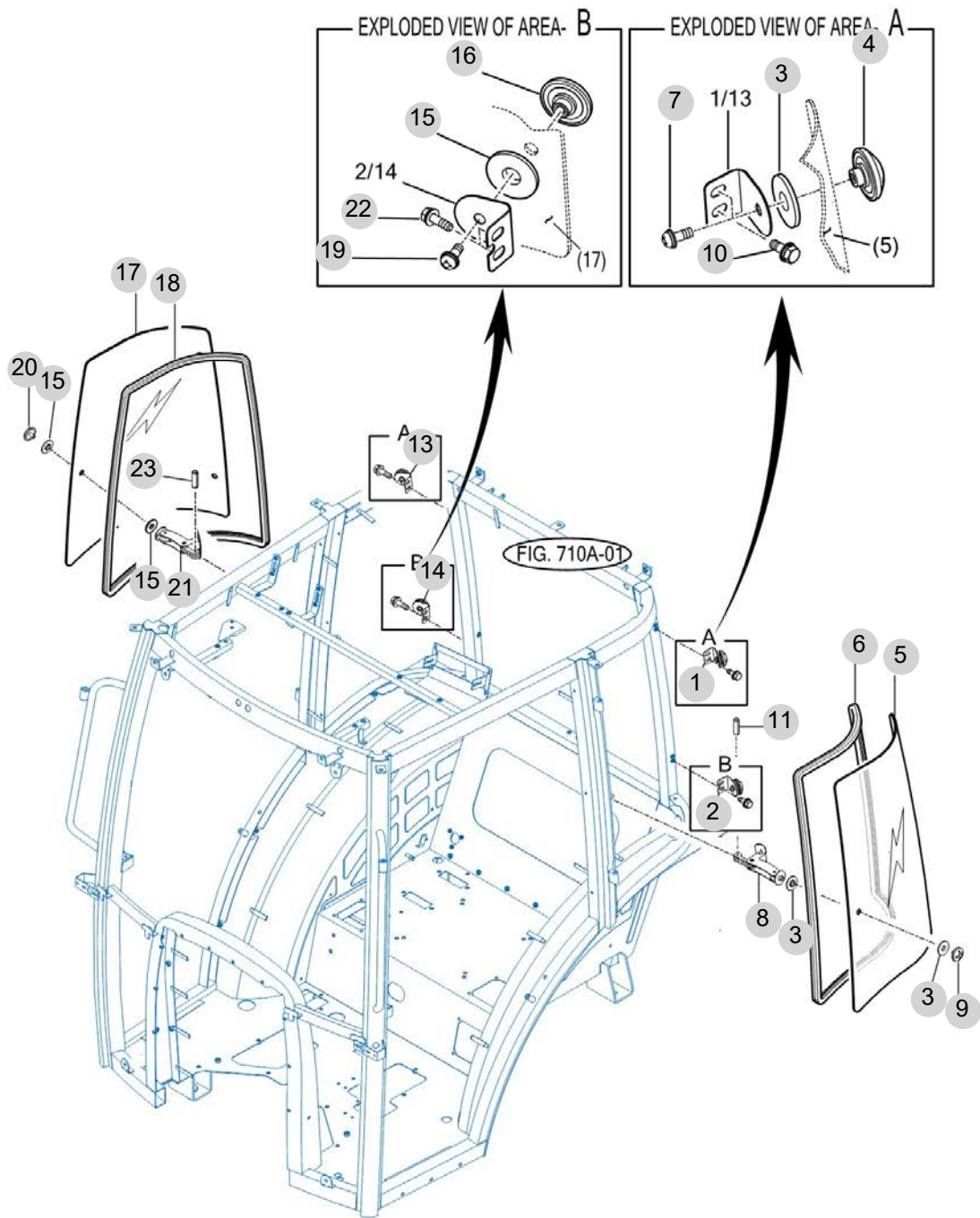
FIG 711

SIDE GLASS

년/월
Year/Month

2022-12

T555STGBC



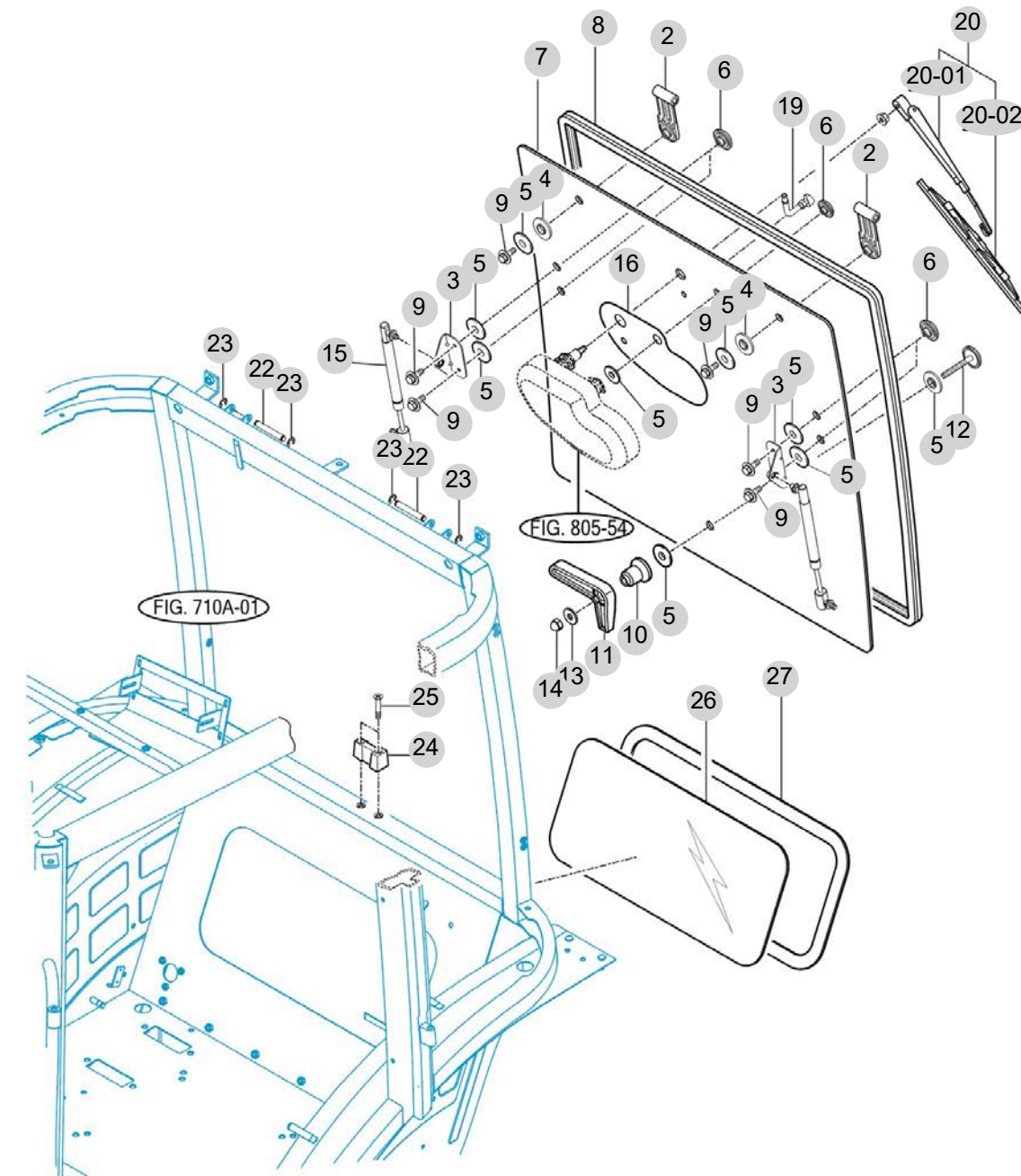
NOTE

FIG 712

REAR GLASS

년/월
Year/Month

2022-12



NOTE

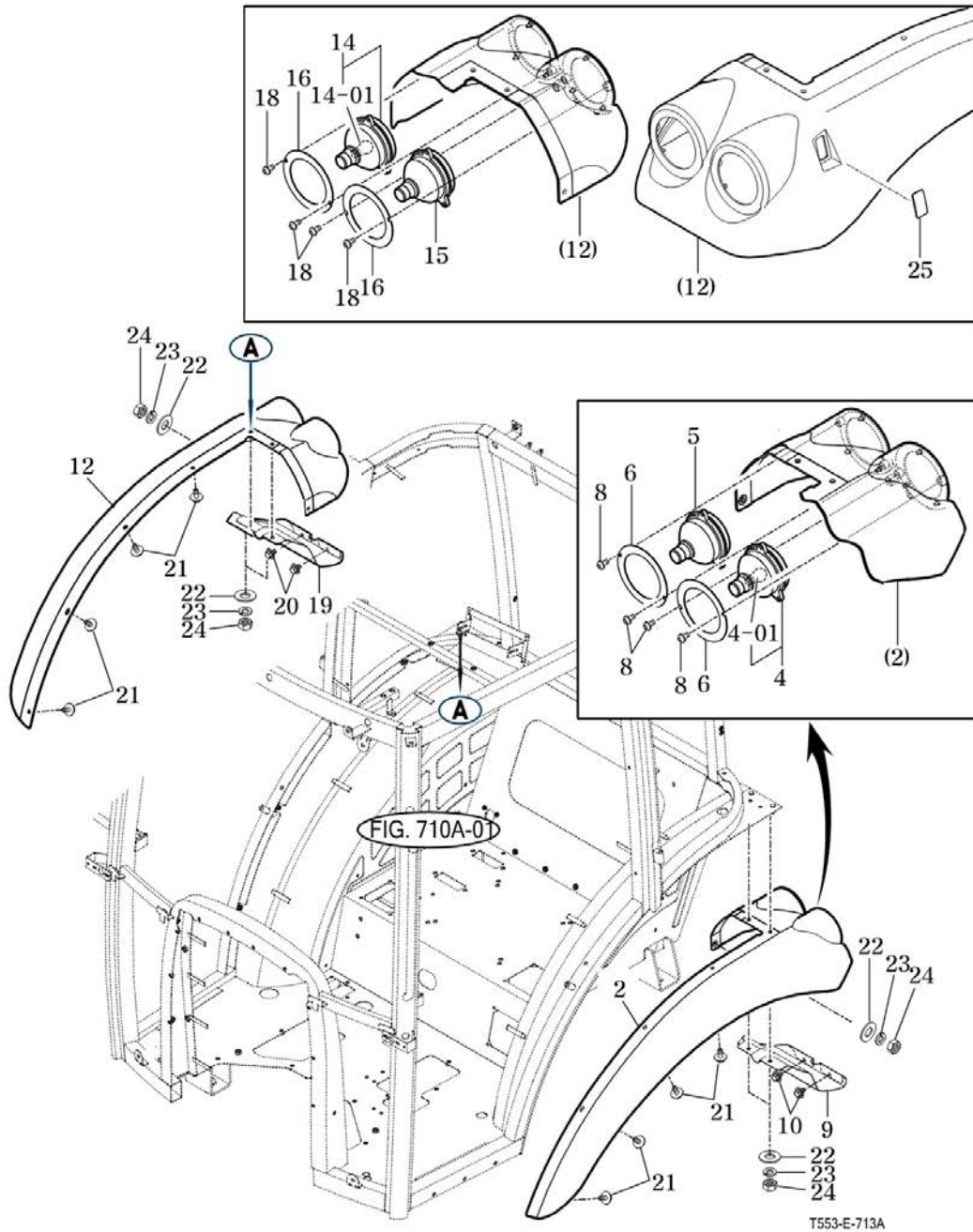
FIG 713A

T555STGBC

SUB FENDER & COVER

년/월
Year/Month

2022-12



NOTE

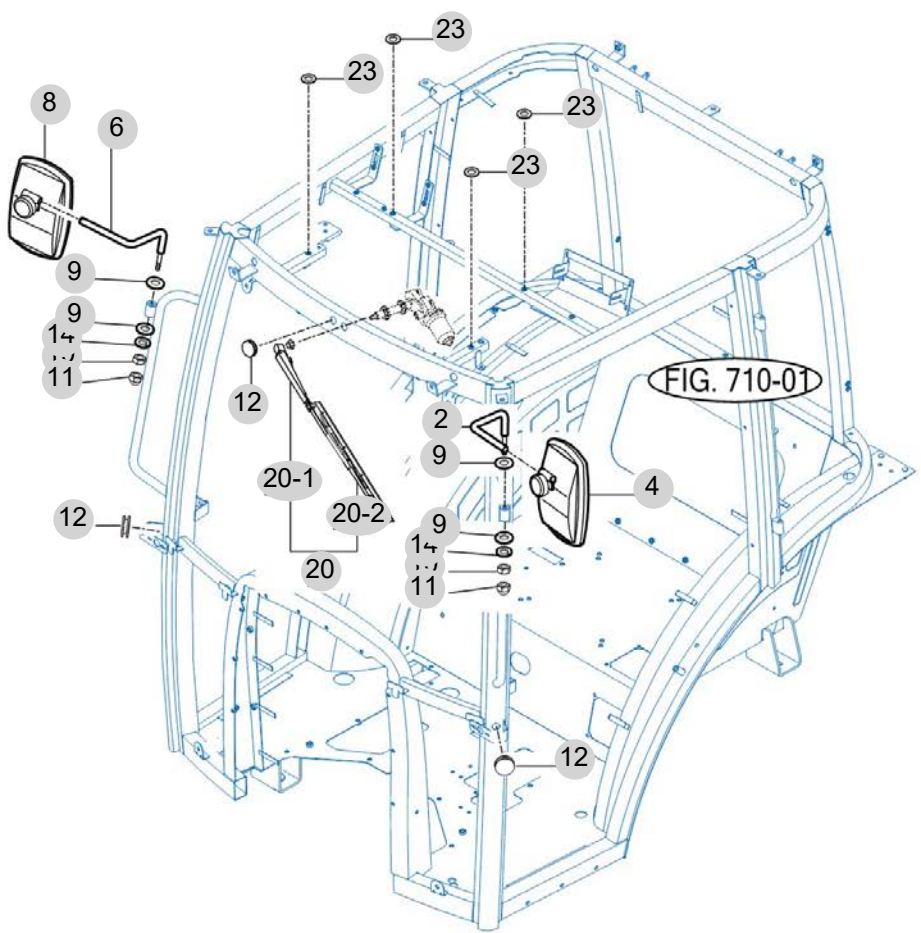
FIG 714A

T555STGBC

MIRROR

년/월
Year/Month

2022-12



NOTE

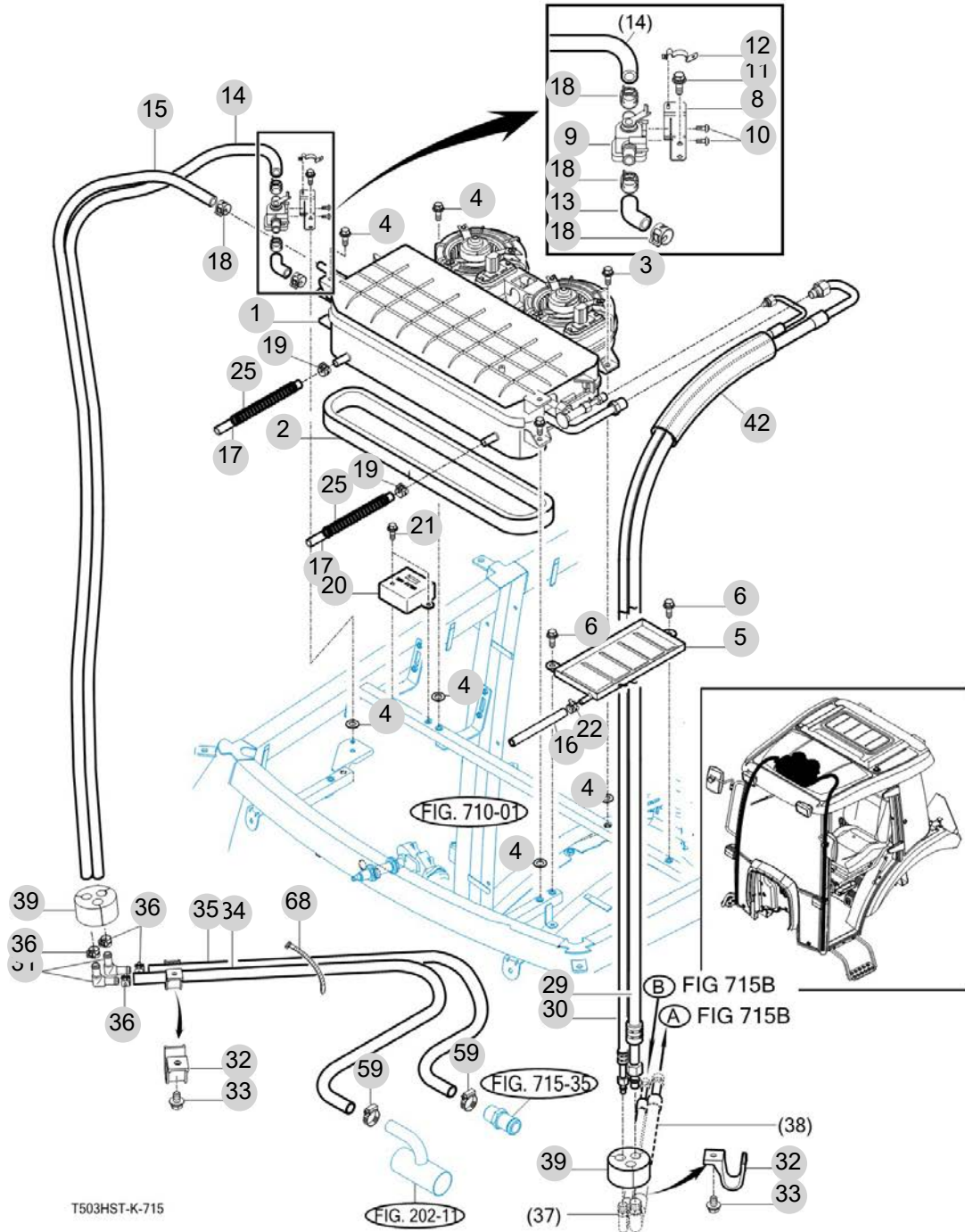
FIG 715A

T555STGBC

HEATER & AIR-CON

년/월
Year/Month

2022-12



NOTE

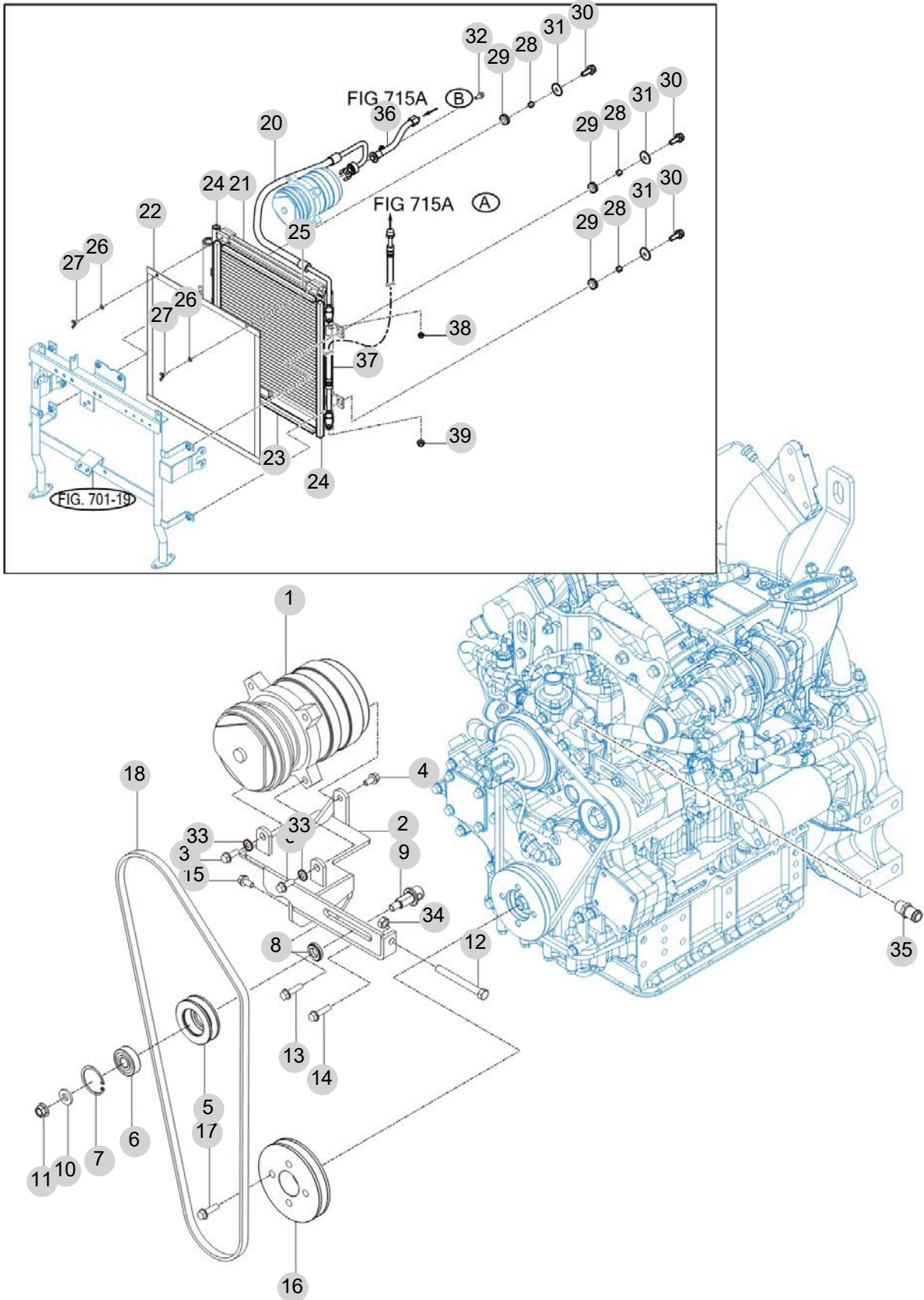
FIG 715B

T555STGBC

HEATER & AIR-CON

년/월
Year/Month

2022-12



NOTE

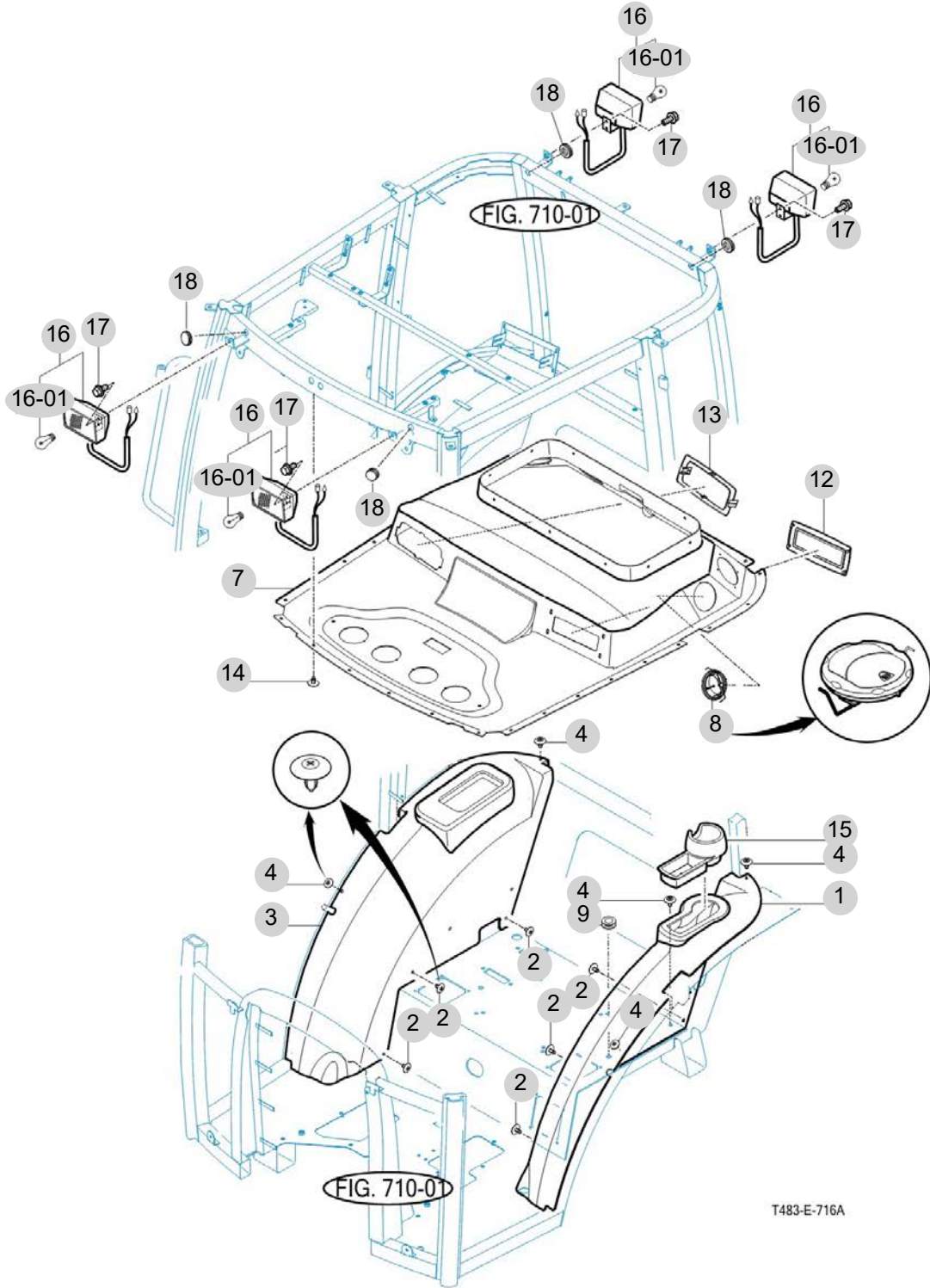
FIG 716

FENDER COVER

년/월
Year/Month

2022-12

T555STGBC



NOTE

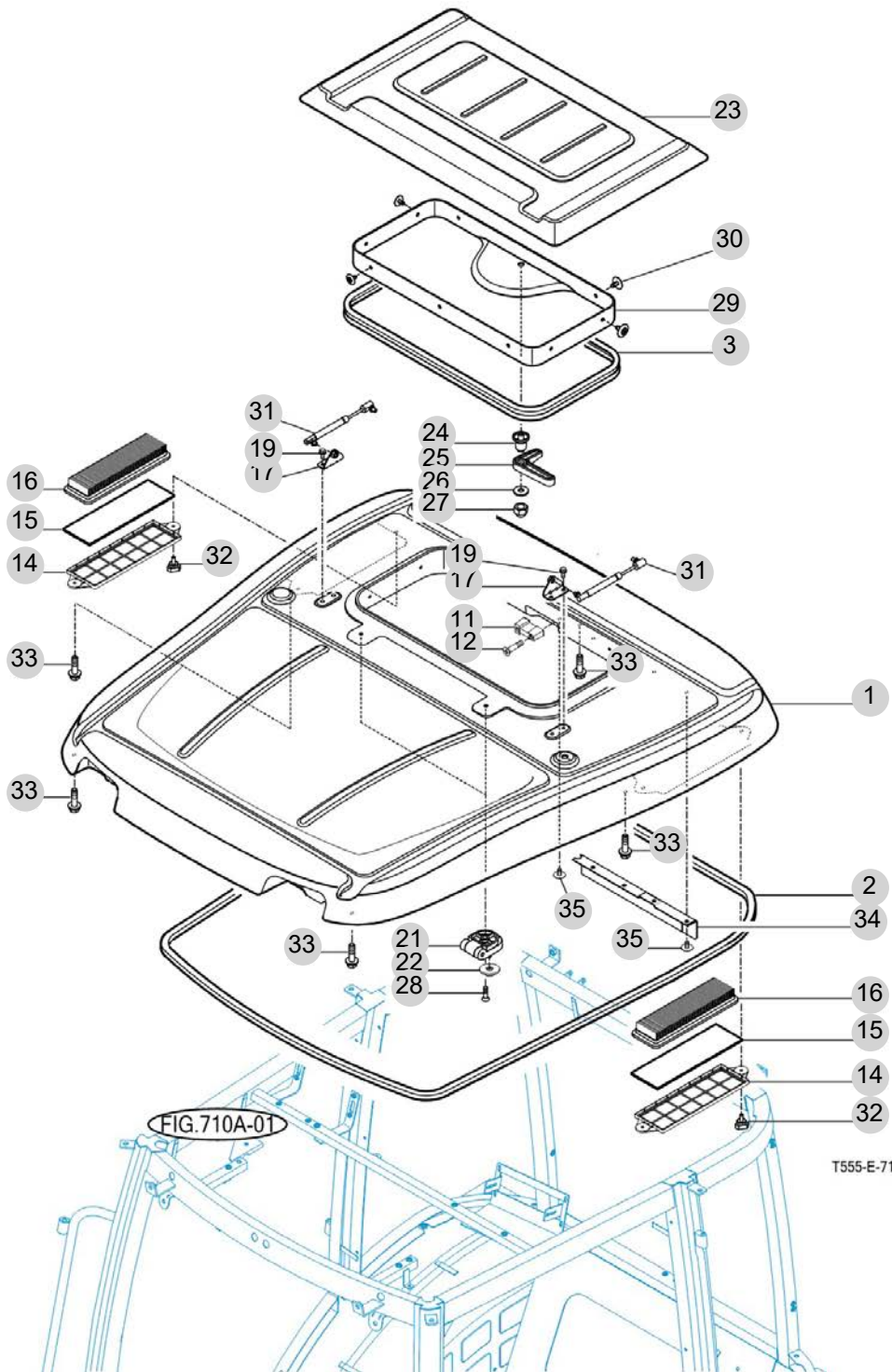
FIG 717

T555STGBC

ROOF

년/월
Year/Month

2022-12



NOTE

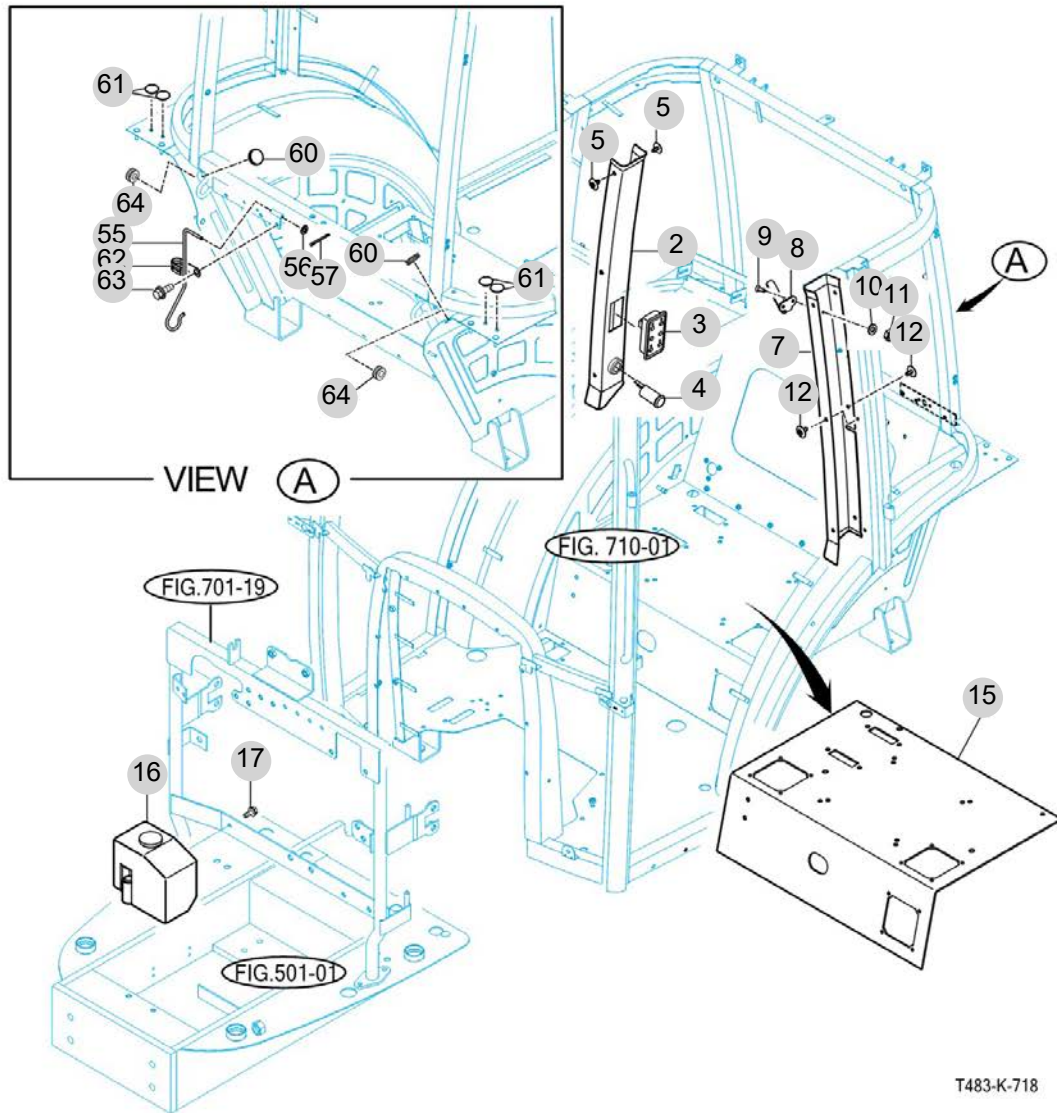
FIG 718

CABIN INTERIOR

년/월
Year/Month

2022-12

T555STGBC



T483-K-718

NOTE

8. 전장 PART NO. T8

FIG 801 BATTERY MOUNTING	209
FIG 802 LIGHT & BACK LAMP	211
FIG 803 INSTRUMENT PANEL	213
FIG 804 ELECTRIC SYSTEM (1)	215
FIG 805A ELECTRIC SYSTEM (2)	217
FIG 806 ELECTRIC SYSTEM (3)	219

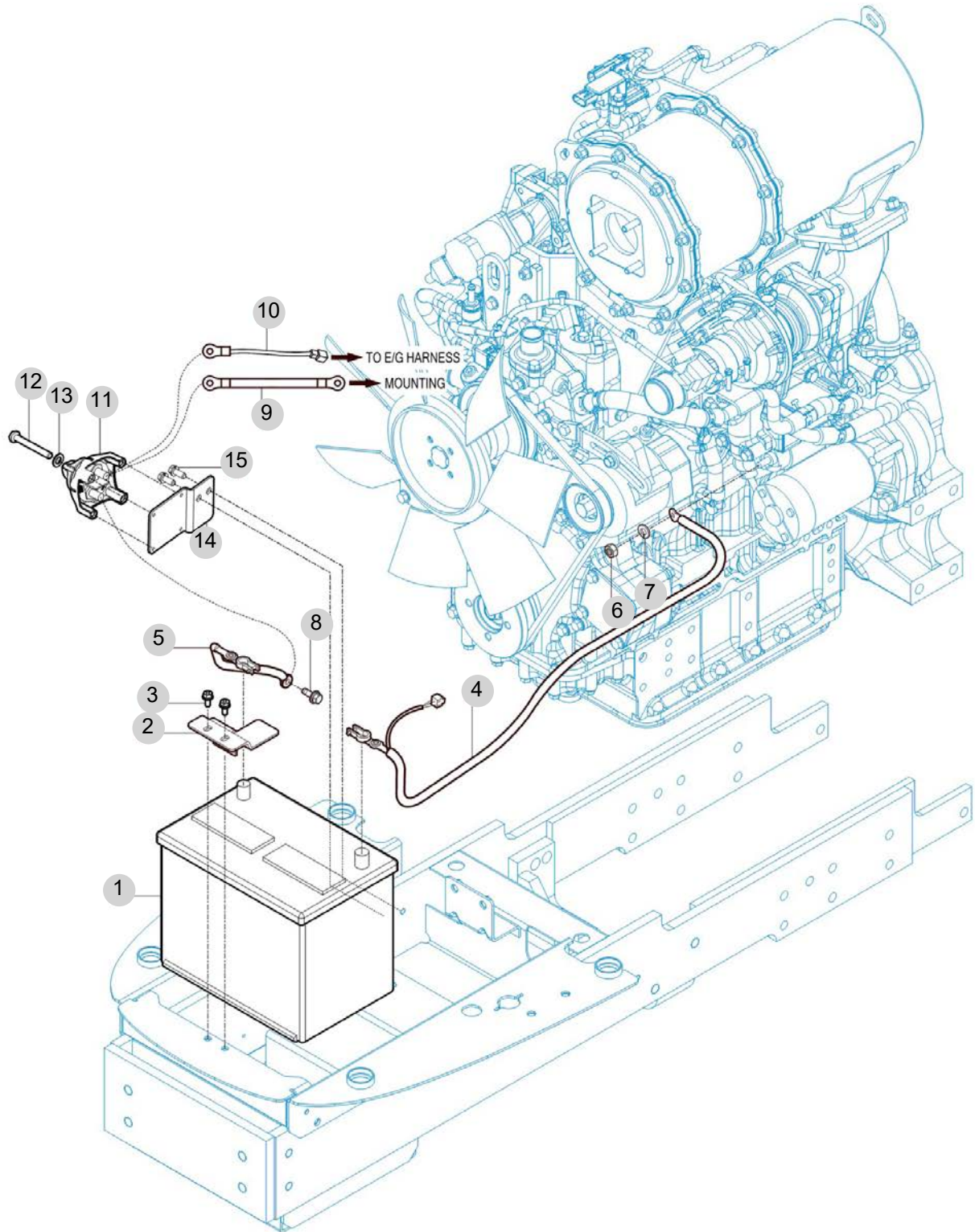
FIG 801

BATTERY MOUNTING

년/월
Year/Month

2022-12

T555STGBC



NOTE

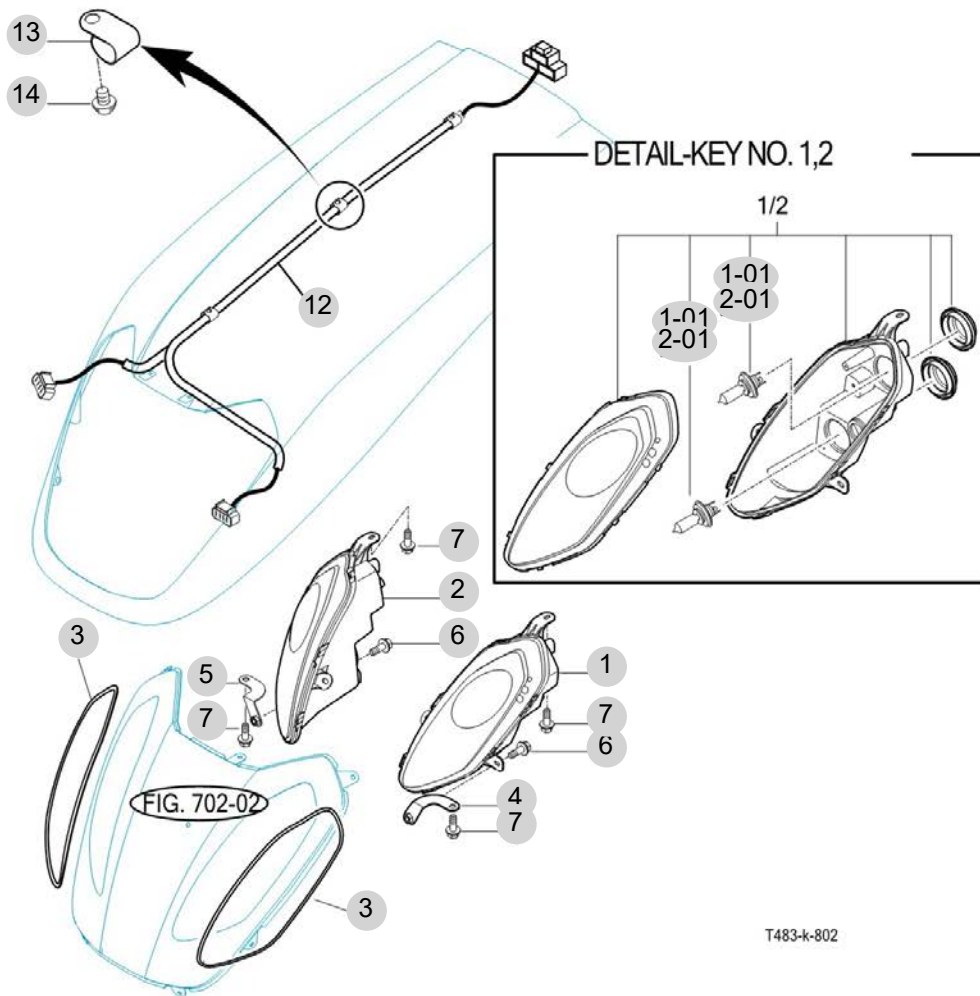
FIG 802

LIGHT & BACK LAMP

년/월
Year/Month

2022-12

T555STGBC



NOTE

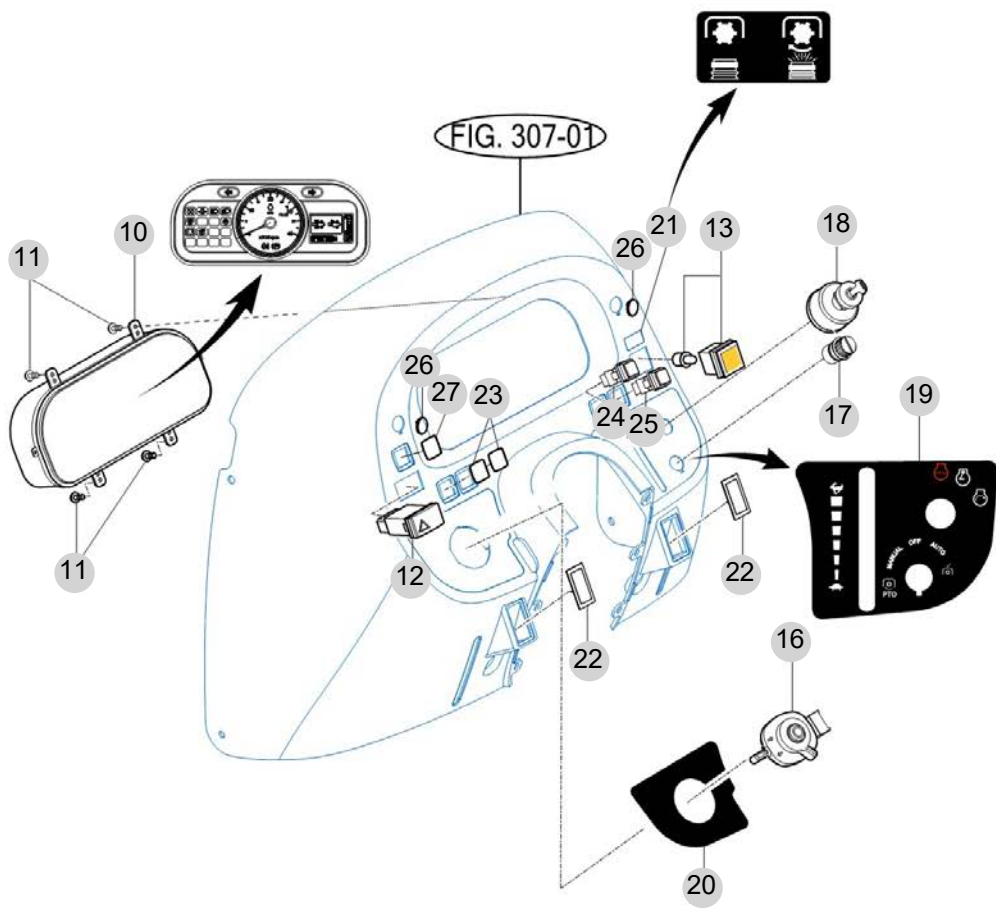
FIG 803

INSTRUMENT PANEL

년/월
Year/Month

2022-12

T555STGBC



NOTE

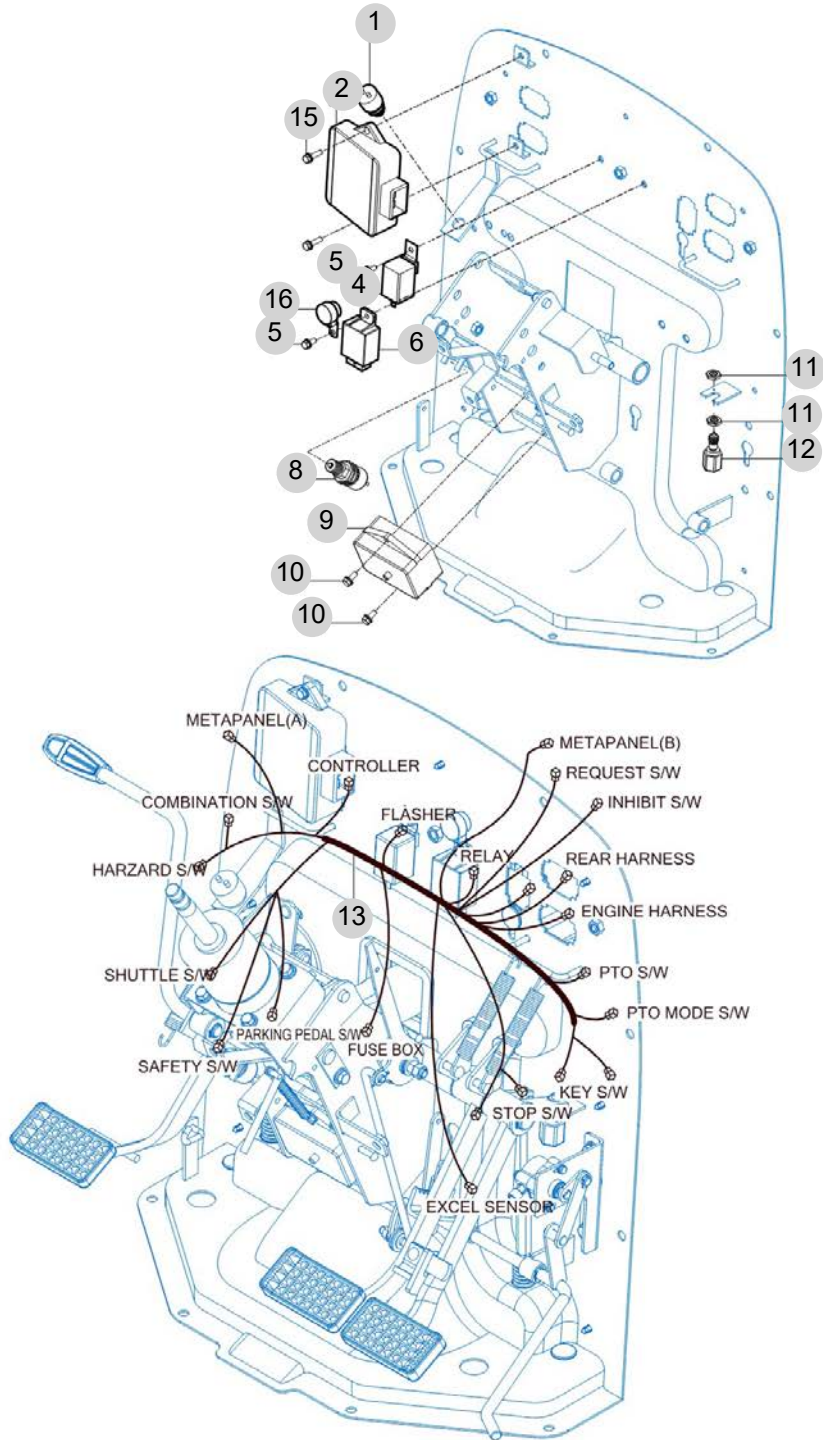
FIG 804

ELECTRIC SYSTEM (1)

년/월
Year/Month

2022-12

T555STGBC



NOTE

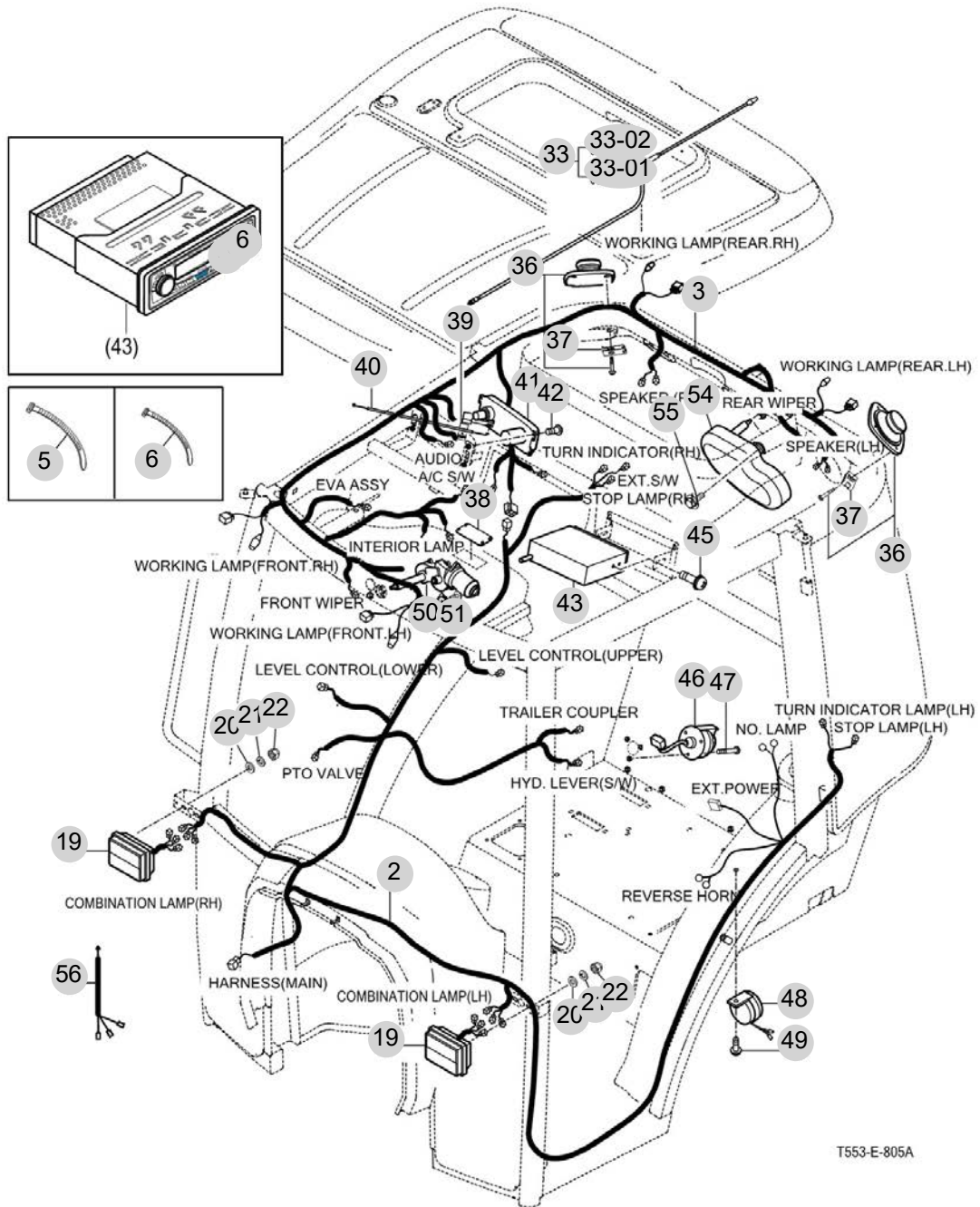
FIG 805A

T555STGBC

ELECTRIC SYSTEM (2)

년/월
Year/Month

2022-12



T553-E-805A

NOTE

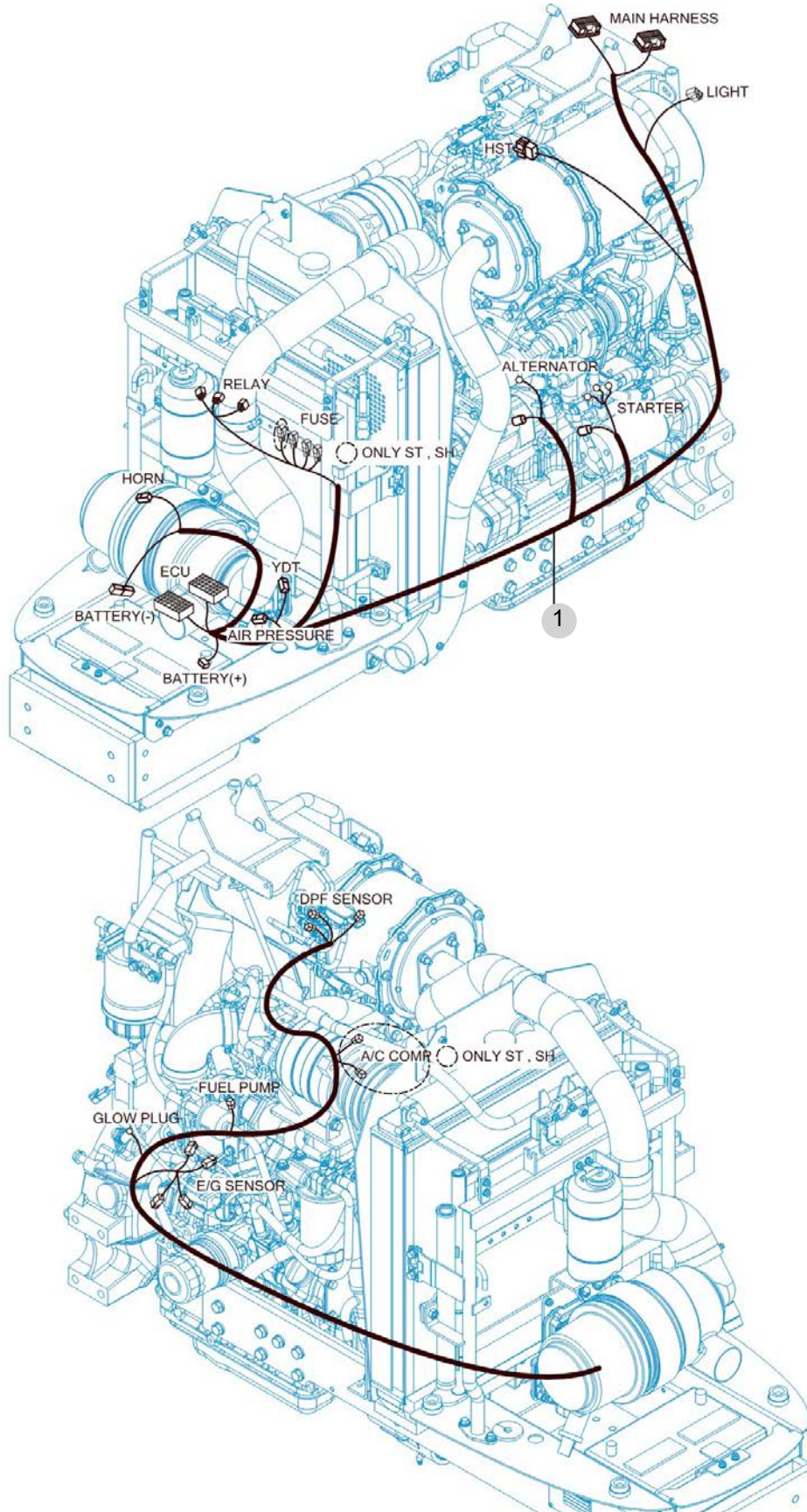
FIG 806

ELECTRIC SYSTEM (3)

년/월
Year/Month

2022-12

T555STGBC



NOTE

9. 라벨/옵션 PART NO. T9

FIG 901 TOOL & ACCESSORY	222
FIG 902 WEIGHT	224
FIG 903 LABEL	226
FIG 903-2 LABEL	228

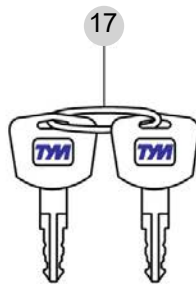
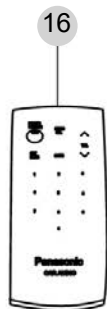
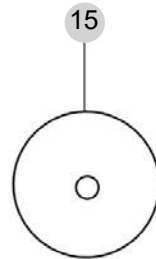
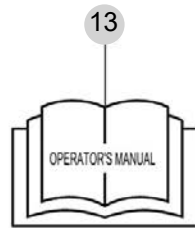
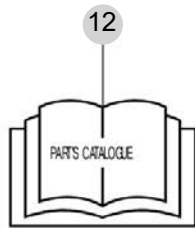
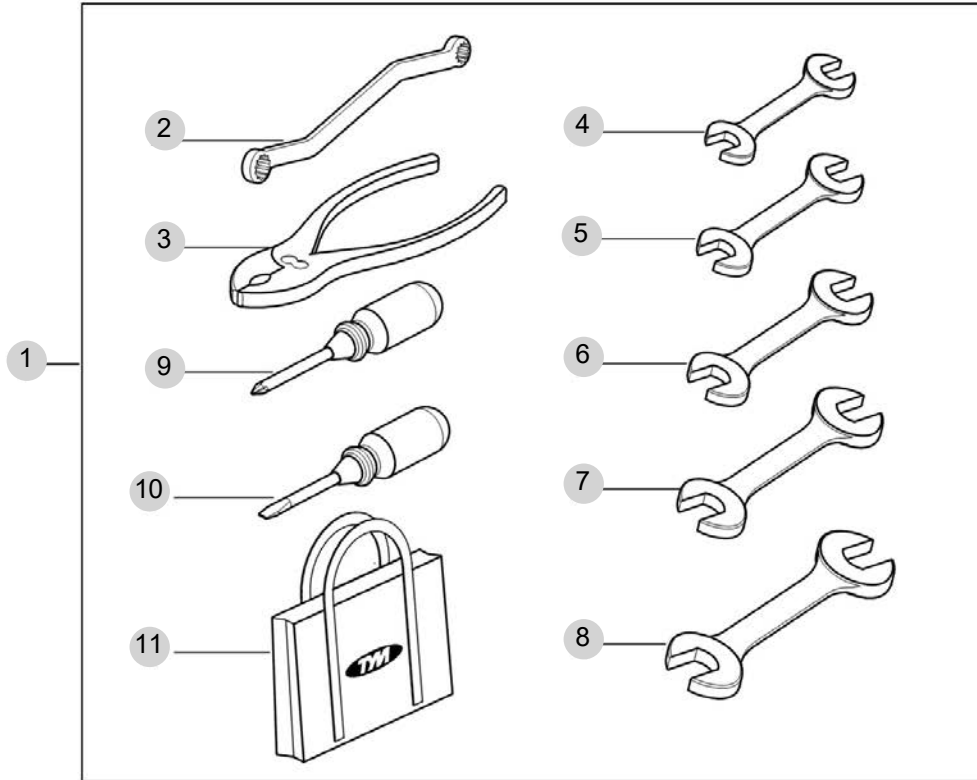
FIG 901

TOOL & ACCESSORY

년/월
Year/Month

2022-12

T555STGBC



NOTE

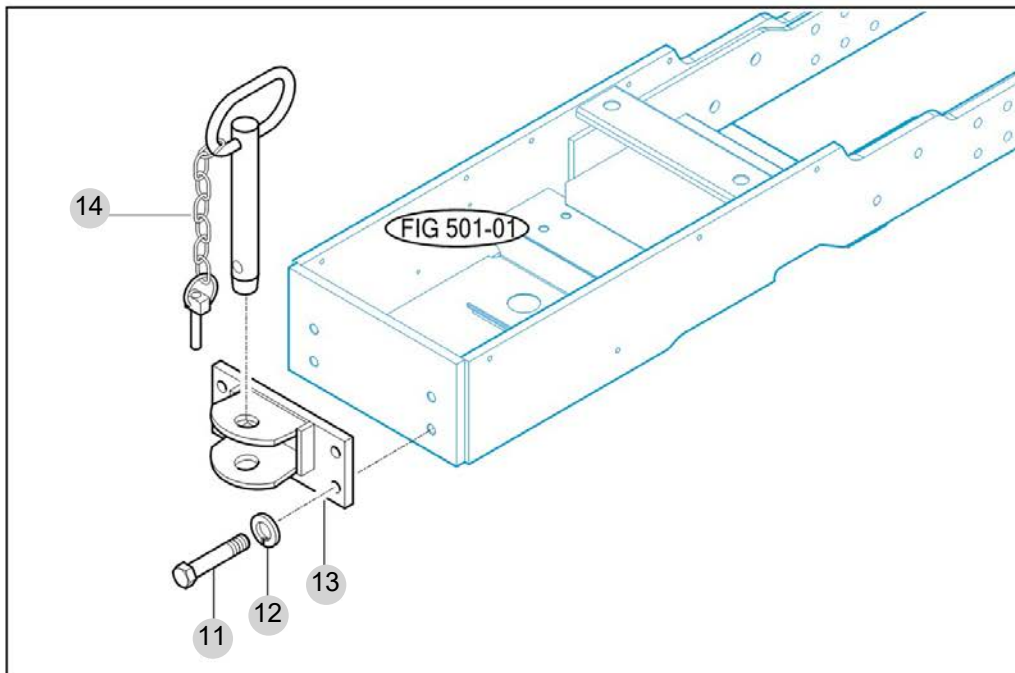
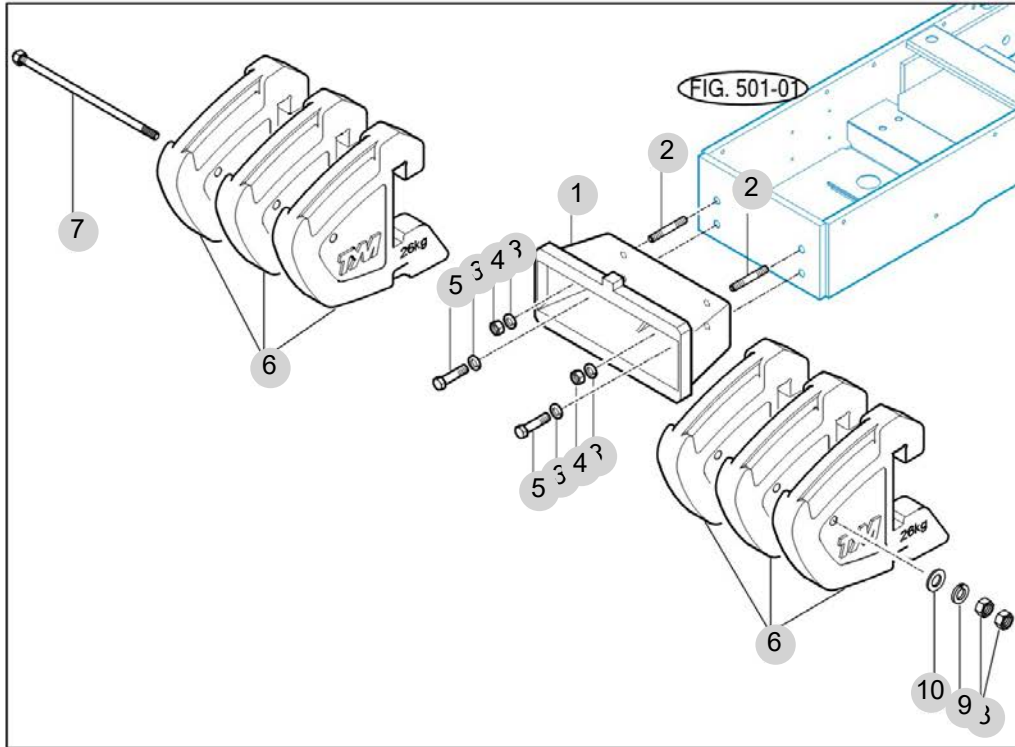
FIG 902

WEIGHT

년/월
Year/Month

2022-12

T555STGBC



T575-E-902

NOTE

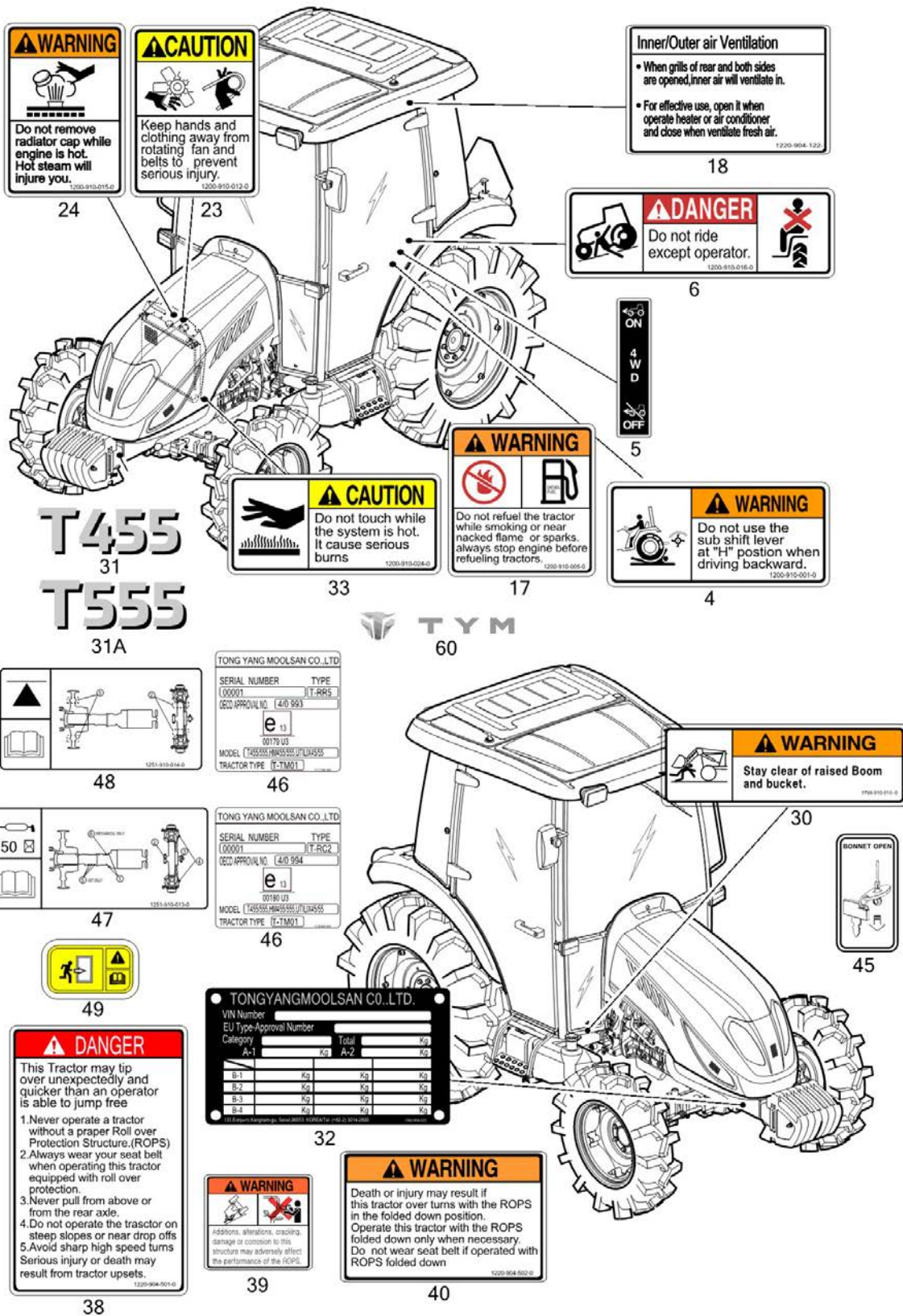
FIG 903

LABEL

년/월
Year/Month

T555STGBC

2022-12



NOTE

T555STGBC

SPEED TABLES

GEAR	1	2	3	4	5	6	7	8	9	10	11	12	13	14	15	16	17	18	19	20	21	22	23	24	25	26	27	28	29	30	31	32	33	34	35	36												
MAXIMUM SPEED (km/h)	10	15	20	25	30	35	40	45	50	55	60	65	70	75	80	85	90	95	100	105	110	115	120	125	130	135	140	145	150	155	160	165	170	175	180	185	190	195	200									
MAXIMUM FUEL CONSUMPTION (L/h)	1.5	2.0	2.5	3.0	3.5	4.0	4.5	5.0	5.5	6.0	6.5	7.0	7.5	8.0	8.5	9.0	9.5	10.0	10.5	11.0	11.5	12.0	12.5	13.0	13.5	14.0	14.5	15.0	15.5	16.0	16.5	17.0	17.5	18.0	18.5	19.0	19.5	20.0	20.5	21.0	21.5	22.0	22.5	23.0	23.5	24.0	24.5	25.0

*The data reported in this publication are also subject to variation and quantity are not



WARNING

LOCK ← UNLOCK

LOCK BUTTEN

Push the button to lock position with joystick lever is neutral whenever the implement is not operation.

WARNING

FAST SLOW (LOCK)

Always set the knob to lock when
1. Travelling on the road.
2. Replacing blades on an implement
3. Making adjustment to an implement
Sudden dropping of an implement can cause serious injury or death.

WARNING

- Start engine only from operators seat. If safety start switch is bypassed engine can start with transmission in gear.
- Do not connect or short across terminal on starter solenoid.
- Attach booster cables as shown on battery decal and operators manual.

Starting in gear causing runaway can result in serious injury.

WARNING

(P)

Always apply the park brake when parking. Failure to do so can cause accidents and damages.

WARNING

Brake pedals must always be locked together when travelling on the highway. This will ensure uniform braking and provide maximum stopping ability sharp turns must only be made at slow speeds.

WARNING

Do not adjust the tilt handle when traveling.

WARNING

Never use the diff-lock at high speed or on the road as this can cause rollover and injury.



WARNING

Attach implements and trailers to the tractor only using the prescribed drawbar or hitch.

OPERATION

TO PROTECT YOUR ENGINE

Do not operate the tractor for extended periods at high engine speeds. High engine speeds will reduce engine life and increase the risk of engine failure.

WARNING

Do not use the accelerator lever except working on the field.

WARNING

Work in ventilated Area.

Operator's manual

DANGER

Periodic ventilation should be made to avoid suffocation while heating an air conditioning is used. Sleeping in the cab is prohibited.

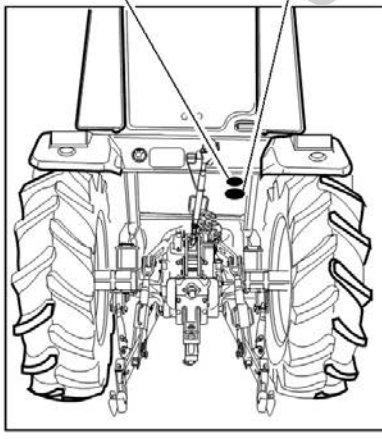
WARNING

Always fasten Your seat belt.

PTO 540 1000

DANGER

Rotating driveline contact can cause death. KEEP AWAY! Keep all drive line. Tractor and equipment shields in place during operation.



NOTE

